

BUILD A SEE-IN-THE-DARK VIEWER

OCTOBER 1994

Electronics NOW

Combined with
**Radio
Electronics®**

Build This Picture Stick

And create your own light show!

Get control of your
phone bills with our

Phone-Call Restrictor

Build a

Rechargeable Flashlight

and be ready for the
next power failure

How to use

Function Generators

on your test bench

Practical

Phase-Locked Loop

circuits you can put to work

\$3.50 U.S.
\$3.95 CAN.

A
GERNSBACK
PUBLICATION

#BXNBQWF CAR-RT SORT ** R005
#JHN12682093 4#700052 DAF13

|||||

APR 95

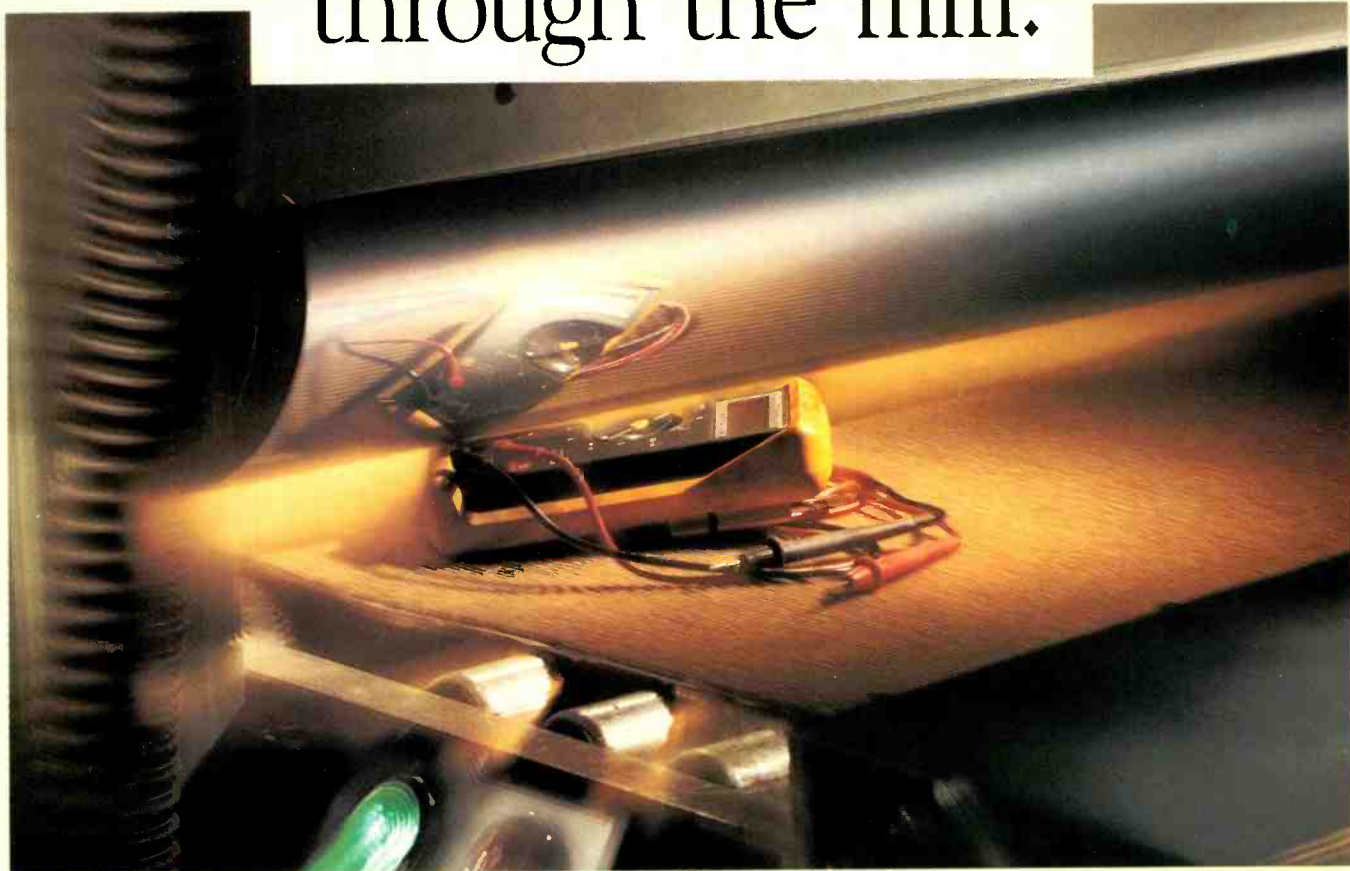
DAVE JOHNSTON
1268 N 225 W

10RE

CENTERVILLE UT

84014-1104

Fluke meters have *really* been through the mill.



Fluke meters can hold up to tons of pressure. True story: While troubleshooting carpet cutting equipment, a technician accidentally leaves a Fluke 77 Meter on the belt. The operator flips a switch. The meter gets hammered between two bouncing, 100 lb. pressure rollers. They stop the machine, remove the meter, peel off the rubber holster, and guess what? The meter still works. Now that's a case of rugged reliability that adds years to a meter's life. And keeps dollars in your pocket. Fact is, all Fluke meters are designed, built and tested to pass strict environmental, mechanical, and electrical



Send *your* amazing Fluke survival story to the address below and we'll send you a *free* meter case.

standards. We test every rotary knob, keypad, and switch to withstand several lifetimes of wear and tear. We put them through tough HAST* testing for survival against drops, vibration, baking heat and freezing cold. The result is a meter that's impressive outside. And inside. Fluke builds in superior calibration, stability and guaranteed accuracy so you can meet your goals for product quality. If you ever need help, simply call Fluke

technical/application support. For more product information, see your Fluke distributor today. Or call **1-800-59-FLUKE** for a direct connection to a distributor near you.

*Highly Aggressive Stress Testing

For technical or application support call 1-800-44-FLUKE.
© 1994 Fluke Corporation. P.O. Box 9090, M/S 250E, Everett, WA,
USA 98206-9090. Canada (905) 890-7600.
Europe (31 40) 644200. Other Countries (206) 356-5500.
All rights reserved. Ad No. 00621

CIRCLE 121 ON FREE INFORMATION CARD

Serious Tools for Serious Work

FLUKE®

Be The Boss Of Your Own Bookkeeping And Accounting Business

Now NRI makes it easier than ever to be your own boss, NRI's innovative new at-home training in Contemporary Bookkeeping and Accounting guides you step-by-step from the basics of bookkeeping to more advanced accounting techniques...plus gives you hands-on experience with today's most exciting new accounting tool: a powerful AT-compatible computer system you train with and keep!

Your timing couldn't be better! Only NRI's new hands-on training gives you the opportunity to make the most of three of today's most exciting new developments:

- The persistent and growing need for bookkeeping and accounting services by virtually every business, association, and organization operating today
- The computer revolution that's transformed traditional bookkeeping and accounting practices and techniques
- And the home office boom—with more than 25 million Americans currently working in a home-based business of their own and more than 15 million more entrepreneurs expected to join the home-based ranks by the year 2000.

Only NRI's Contemporary Bookkeeping and Accounting course prepares you to capitalize on all three, with comprehensive training in every aspect of bookkeeping and accounting, *plus* hands-on training with a powerful IBM-compatible computer and professional General Ledger software, *plus* the business knowledge you need to make your home-based enterprise thrive.

Start earning while you learn

Among the most popular home-based services today, bookkeeping and accounting offers tremendous money-making potential for the trained professional. And NRI's unique new training helps you take advantage of this earnings potential quickly and easily.

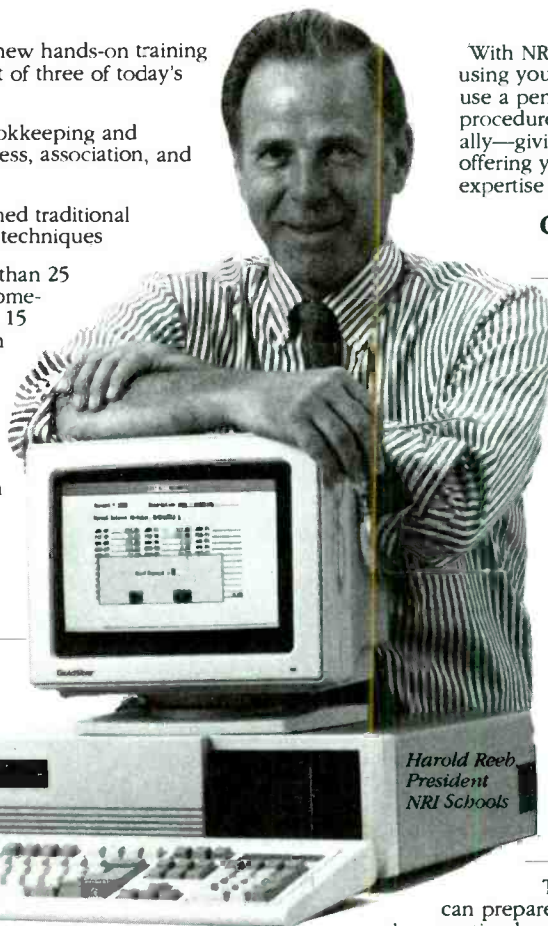
NRI starts you out with the tried-and-true basics of bookkeeping and accounting, cutting through unproductive "busy work" to give you the skills that really count. Before you're halfway through your course, you'll be able to pick up part-time income preparing balance sheets, profit-and-loss statements, and other financial reports for local businesspeople. And that's just the beginning!

Only NRI gives you an AT-compatible computer and friendly, "walk-you-through" software to train with and use in your new business

Once you've mastered the essential basics, you're ready to make the leap to contemporary accounting techniques with a computer. And you'll get hands-on training with the IBM-compatible computer that's *included* in your course.

That's right! You get a powerful IBM PC/AT-compatible system featuring a full megabyte of RAM, high-resolution monitor, and floppy disk drive—*plus* professional General Ledger software ingeniously designed to speed your learning process.

Even if you make a mistake, your user-friendly software points you in the right direction with easily understandable instructions in plain English. Best of all, this same training software doubles as a complete bookkeeping and accounting package you can use to set up the books for your business clients.



With NRI's step-by-step training, you'll soon be using your computer as comfortably as you now use a pencil, doing in minutes the kinds of procedures that can take hours to do manually—giving you more time to make money offering your bookkeeping and accounting expertise to your clients!

Get the business savvy you need to set up shop at home

NRI goes beyond giving you technical expertise in bookkeeping and accounting to give you the business knowledge you need to succeed as a home-based entrepreneur. You learn how to set up the ideal home office, how to get and keep good-paying clients, how to budget your resources, grow your profits, and much more. And NRI's experienced instructors are always available with technical advice, encouragement, and support as you get your business off the ground.

Even if you decide to wait before setting up shop at home, your new understanding of advertising, customer relations, and other business principles will help you generate part-time income or move up to a responsible position with your present company.

Send today for FREE catalog

To find out how NRI's at-home training can prepare you to start a profitable bookkeeping and accounting business of your own, send for NRI's free, full-color catalog. Or choose to send for information about one of NRI's many other courses designed to help you be your own boss. If the coupon is missing, write to NRI Schools, McGraw-Hill Continuing Education Center, 4401 Connecticut Avenue, NW, Washington, DC 20008.



NRI Schools

McGraw-Hill Continuing Education Center
4401 Connecticut Avenue, NW, Washington, DC 20008

Check one only

- | | |
|--|------------------------------------|
| <input type="checkbox"/> Bookkeeping and Accounting | <input type="checkbox"/> Paralegal |
| <input type="checkbox"/> Desktop Publishing and Design | <input type="checkbox"/> Travel |
| <input type="checkbox"/> Word Processing | <input type="checkbox"/> Writing |
| <input type="checkbox"/> Computer Programming | |

Name _____ (please print) _____ Age _____

Address _____

City/State/Zip _____ 2932-

Accredited Member, National Home Study Council

CONTENTS

OCTOBER 1994

ON THE COVER**35 BUILD THE PICTURE STICK**

Do you think that only magicians can use magic wands? Think again! The Picture Stick is an electronic "magic wand," an inexpensive, easy-to-build device that can light up the night with computer-generated graphics. It looks like a garden-variety yardstick connected to a small PC board. But add a couple of batteries and the Picture Stick begins to glow. Wave it around over your head, and the flickering green light changes into recognizable images of stars, circles, and diamonds. It might not conjure a rabbit out of a hat, but the Picture Stick will amaze your friends and family and leave them wondering if you have something up your sleeve! — Scott Edwards

**BUILD THIS****51 TELEPHONE CALL RESTRICTOR**

Block access to those costly "900"



and "976" numbers — or any others — with this telephone device. — Terry Weeder

57 NIGHT VISION SCOPES

Put military surplus gear to work in this pair — one

passive, one active infrared



— of affordable, see-in-the-dark, night-vision scopes. — Bruno Justic and Peter Phillips

65 AUTOMATIC RECHARGEABLE FLASHLIGHT

You might want to build two of these



handy combination emergency light/flashlights: one for the car, and another to keep at home. — Marc Spiwak

As a service to readers, ELECTRONICS NOW publishes available plans or information relating to newsworthy products, techniques and scientific and technological developments. Because of possible variances in the quality and condition of materials and workmanship used by readers, ELECTRONICS NOW disclaims any responsibility for the safe and proper functioning of reader-built projects based upon or from plans or information published in this magazine.

Since some of the equipment and circuitry in ELECTRONICS NOW may relate to or be covered by U.S. patents, ELECTRONICS NOW disclaims any liability for the infringement of such patents by the making, using, or selling of any such equipment or circuitry, and suggests that anyone interested in such projects consult a patent attorney.

ELECTRONICS NOW, (ISSN 1067-9294) October 1994. Published monthly by Gernsback Publications, Inc., 500-B Bi-County Boulevard, Farmingdale, NY 11735. Second-Class Postage paid at Farmingdale, NY and additional mailing offices. Canada Post IPM Agreement No. 334103, authorized at Mississauga, Canada. One-year subscription rate U.S.A. and possessions \$19.97, Canada \$27.79 (includes G.S.T. Canadian Goods and Services Tax, Registration No. R125166280), all other countries \$28.97. All subscription orders payable in U.S.A. funds only, via international postal money order or check drawn on a U.S.A. bank. Single copies \$3.50. © 1994 by Gernsback Publications, Inc. All rights reserved. Printed in U.S.A.

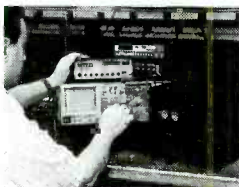
POSTMASTER: Please send address changes to ELECTRONICS NOW, Subscription Dept., Box 55115, Boulder, CO 80321-5115.

A stamped self-address envelope must accompany all submitted manuscripts and/or artwork or photographs if their return is desired should they be rejected. We disclaim any responsibility for the loss or damage of manuscripts and/or artwork or photographs while in our possession or otherwise.

TECHNOLOGY

42 FUN WITH FUNCTION GENERATORS

Take one function generator, add one oscilloscope: the recipe for a versatile instrumentation set for testing systems and components.— *Robert Kral*



69 PHASE-LOCKED LOOPS

Experiment with PLLs, and learn to use them in your own designs.— *Ray Marston*

DEPARTMENTS

6 VIDEO NEWS

What's new in this fast-changing field. — *David Lachenbruch*

16 EQUIPMENT REPORT

Tektronix Tekmeter portable oscilloscope.

75 HARDWARE HACKER

Major SETI developments, using binary chain codes, and more.— *Don Lancaster*

83 AUDIO UPDATE

Sound-off's, CSICOP, and audiophilia.— *Larry Klein*

86 DRAWING BOARD

Our alternate tachometer design takes shape.— *Robert Grossblatt*

89 COMPUTER CONNECTIONS

Why Microsoft will win and IBM will lose the OS war.— *Jeff Holtzman*

AND MORE

96 ADVERTISING SALES OFFICES

96 ADVERTISING INDEX

92 BUYER'S MART

10 LETTERS

26 NEW LIT

22 NEW PRODUCTS

8 Q&A

4 WHAT'S NEW

Electronics NOW®

Hugo Gernsback (1884-1967) founder

LARRY STECKLER, EHF, CET,
Editor-in-chief and publisher

EDITORIAL DEPARTMENT

BRIAN C. FENTON, editor
MARC SPIWAK, associate editor
NEIL SCLATER, associate editor
TERI SCADUTO, assistant editor
JEFFREY K. HOLTZMAN
computer editor
ROBERT GROSSBLATT, circuits editor
LARRY KLEIN, audio editor
DAVID LACHENBRUCH
contributing editor
DON LANCASTER
contributing editor
EVELYN ROSE, editorial assistant

ART DEPARTMENT

ANDRE DUZANT, art director
RUSSELL C. TRUELSON, illustrator

PRODUCTION DEPARTMENT

RUBY M. YEE,
production director
KAREN S. BROWN
advertising production
KATHRYN R. CAMPBELL
production assistant

CIRCULATION DEPARTMENT

JACQUELINE P. CHEESEBORO
circulation director
WENDY ALANKO
circulation analyst
THERESA LCMBARDO
circulation assistant
MICHELE TORRILLO
reprint bookstore

Typography by Mates Graphics
Cover design by David Loewy

Electronics Now is indexed in *Applied Science & Technology Index*, and *Readers Guide to Periodical Literature*, *Academic Abstracts*, and *Magazine Article Summaries*.

Microfilm & microfiche editions are available. Contact circulation department for details.

Advertising Sales Offices listed on page 94.

Electronics Now Executive and Administrative Offices
1-516-293-3000.

Subscriber Customer Service:
1-800-268-0652.

Order Entry for New Subscribers:
1-800-999-7139.



Audit Bureau of Circulations
Member



WHAT'S NEWS

A review of the latest happenings in electronics.

High-density disk-drive recording head

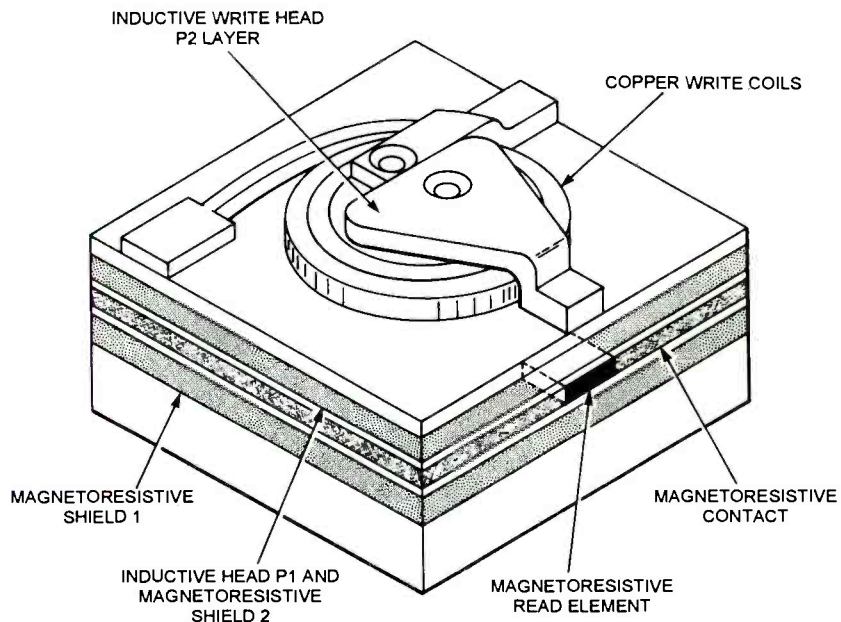
IBM has developed a new, very sensitive sensor for detecting data on computer magnetic hard disks. The company plans to put the new sensor in read/write heads that will be installed in IBM disk drives by 2000. The drives at that time are expected to be able to store information at about 20 times the density possible today—10 billion bits of data per square inch of disk surface.

The new sensor, called a *spin-valve* head, is said to be five times more sensitive than today's best commercially available disk-drive sensors. This is due to their ability to harness the "giant magnetoresistive" (GMR) effect, which was discovered about six years ago.

The new sensor was developed at IBM's San Jose, California, research center. It can read data bits written onto a magnetic hard disk at a density of 1 billion bits (gigabit) per square inch. That density was selected so that the results could be compared with a landmark 1989 demonstration of reading a gigabit per square inch with an earlier magnetostriuctive (MR) head.

The spin valve's electrical signal—one thousandth of a volt per micron of track width—is five times greater than that of the best IBM MR sensor installed in drives today. The spin valve's stronger signal offers disk-drive designers the option of packing more bits into a given area of disk surface or relaxing other design restraints to increase overall performance.

For example, a faster data rate can be achieved by spinning the disk faster, and reliability can be enhanced by "flying" the head higher above the disk, making accidental collisions less likely. Most of the data-density increase is expected to come from a six-fold decrease in the disk track width—from 3 to 0.5 micrometers.



IBM's SPIN VALVE MAGNETORESISTIVE HEAD should permit disk drives with storage densities nearly 20 times what is possible today.

A recording head writes data onto a disk and reads that data back. Until recently, all recording heads were based on electrical induction. To write data, electric current sent through a coil induces a magnetic field within the head that is projected through a small gap onto a spinning platter. That leaves a tiny magnetized region on the disk's surface.

To read data, the process is reversed. Magnetic fields on the disk surface, which are picked up by the gap, induce a current in the head's coil. As the size of magnetized regions representing a bit shrank because of increasing storage density, it became more difficult to sense a current strong enough to be read.

IBM introduced the first hard-disk drive equipped with a magnetoresistive (MR) reading sensor in 1991. It was made from several thin layers of an MR material whose electrical resistance changes in a magnetic field. The 300-angstrom thick MR sensor is placed within or near the gap of the write element,

and it gives a much stronger signal than an induction sensor when reading data at comparable densities and data rates.

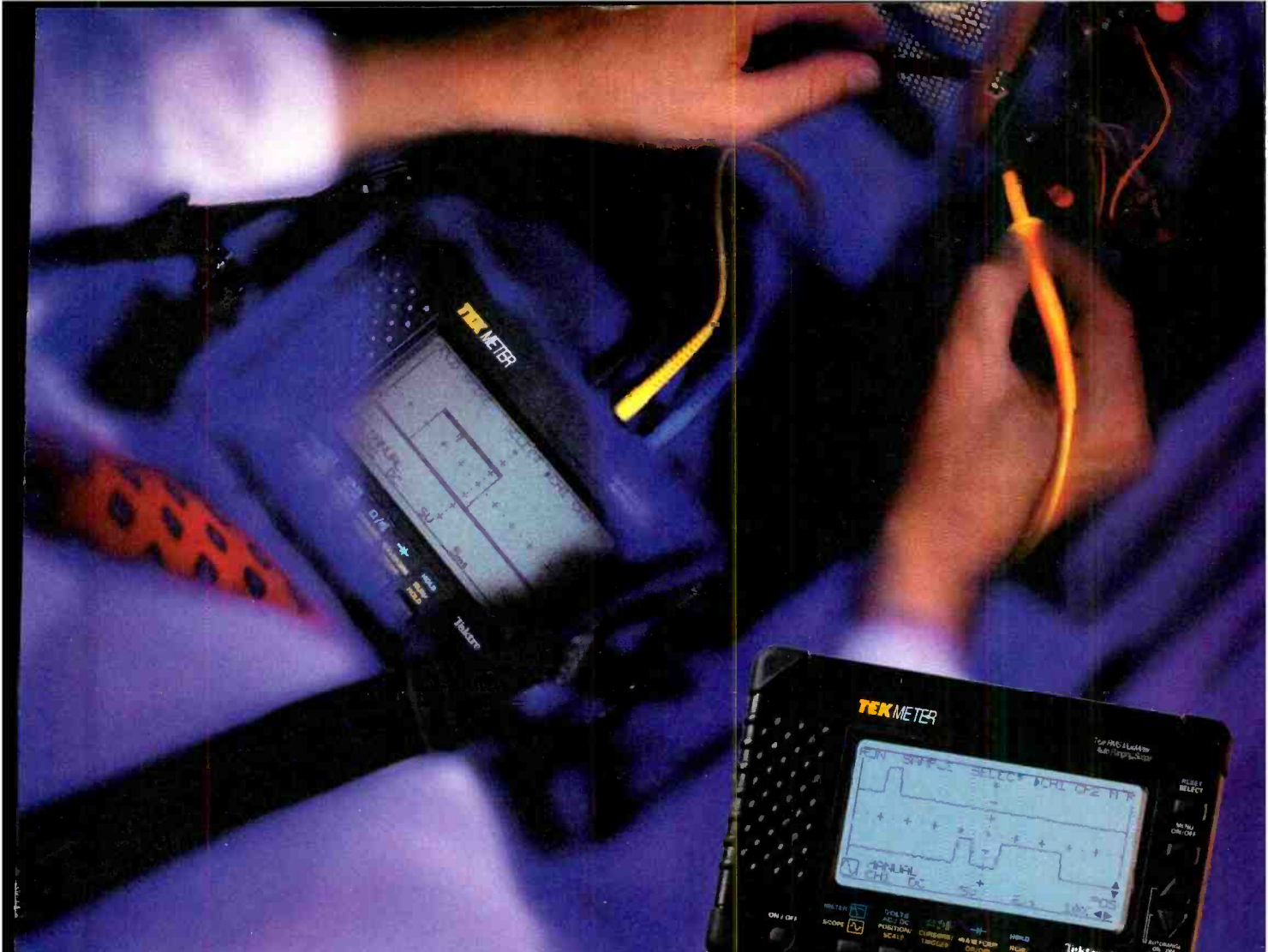
The added feature permitted the inductive coil and gap to be optimized for writing. IBM is reportedly the only company now shipping disk drives in volume with recording heads that include MR sensors.

The giant magnetoresistive (GMR) effect was discovered in France in 1988 in perfect multilayer crystal samples exposed to very high magnetic fields. IBM researchers then demonstrated that the effect could be found in structures of sputtered polycrystalline whose layers are thinner than the MR films (5 to 100 vs. 300 angstroms).

That discovery led to a search for a structure that would exhibit the GMR effect in the weak external magnetic fields of magnetic disks and be useful in a disk-drive recording head.

A multilayer structure was fab-

Continued on page 13



TekMeter™ can show you the answer before you even know the question.

TekMeter™ is the new handheld instrument from Tektronix that combines the functions of a DMM and an oscilloscope. It's practically "auto everything." Which in the service business means you'll get the answers you need faster than ever before.

It's easy. Just connect the probes. TekMeter finds the signal then makes the correct scope or DMM settings to display voltage, current or waveforms in the most meaningful way. What's more, your hands

remain free to probe more accurately and safely. Especially in small places.

Weighing barely 2 pounds, TekMeter includes a host of features like cursors and spike detect that improve your ability to maintain and troubleshoot a wide range of equipment. TekMeter can even capture incoming line voltage spikes and sags, measure voltage and current simultaneously, compute true power, and more. All automatically. For as little as \$875*.



TekMeter is the answer you've been looking for. Contact your local authorized Tektronix distributor today, or call 800-426-2200, ext 299.



CHECK OUT THE ENTIRE TEKTOOLS™ LINE FOR ALL YOUR MEASUREMENT NEEDS.

*Suggested retail price, model TMS 550 © Copyright 1994, Tektronix, Inc. All rights reserved. TekMeter, TekTools, and Tektronix are trademarks of Tektronix, Inc. DPW-284597

CIRCLE 92 ON FREE INFORMATION CARD



VIDEO NEWS

What's new in the fast-changing video industry.

DAVID LACHENBRUCH

● **Widescreen TV.** Widescreen TV sets with 16:9 aspect ratios (more like movie screens than the conventional 4:3 sets) are available in the United States under a variety of brand names in several direct-view and projection sets. But they haven't been selling too well—probably because of the lack of available programs in 16:9, or letterbox, aspect ratios. In Japan, however, 16:9 has become an immediate success, and it has been forecast that next year more than half of all TV sales there will be the widescreen models. That might be because there is greater availability of recorded movies in the wide format or because the Japanese are more accustomed to seeing widescreen TV. Widescreen sets exhibited in public places are designed to display the satellite-delivered Hi-Vision HDTV signal, which has widescreen proportions. Or, possibly, it's just because the Japanese are "early adopters." At any rate, the Japanese trend is being viewed as an encouraging sign for the prospects of widescreen TV here. Another encouraging sign is the increase in letterboxed movies available on both videotape and laser disc.

Widescreen TV sets have some drawbacks. Standard 4:3-dimensional pictures can't be properly displayed on them without eliminating part of the picture, displaying black spaces on both sides, or showing a distorted picture. However, JVC has developed an interesting way to display standard pictures on widescreen sets with none of those disadvantages. Basing its development on psychological factors—including the finding that the viewer's attention is drawn to the center of the screen—the JVC system leaves the center 70% of the standard picture undistorted on the widescreen. Both sides of the picture are stretched according to a formula that expands the extreme sides more than the area



WIDE-SCREEN TVs with aspect ratios of 16×9 will likely become popular in the U.S. Pioneer's PRO-107 is shown here.

closer to the center of the picture. Amazingly, when viewing the "stretched" 4:3 picture full-width on a 16:9 screen, it's very difficult for the human eye to perceive any distortion.

Most widescreen pictures available are of the letterboxed variety. When displayed on a standard 4:3 screen, they don't fill the entire picture area—there are black spaces above and below. When shown on a widescreen set, these pictures are stretched vertically to fill the screen. Because they don't really fill the entire height of the transmitted TV frame, their vertical resolution leaves something to be desired. Some TV sets being sold in the U.S. use various line-doubling or "IDTV" (improved definition) circuits to minimize that problem, but those are compromise solutions at best.

In Europe, however, transmissions have begun using a system called "PALPlus," which restores full vertical resolution to letterboxed pictures displayed on a wide screen. When a PALPlus picture is being transmitted, the blank spaces above and below the picture area contain information needed to restore the missing definition to the letterboxed picture. A viewer watching a PALPlus picture on a standard TV will see the usual low-definition letterbox picture. However, a viewer

watching on a widescreen PALPlus set sees a full-definition picture. The information transmitted in the "blank" spaces is used to fill in the lines missing from the coarse letterbox picture—increasing the resolution to the full PAL quota of 576 active lines from the 432 normally occupied by a letterbox image.

Although there have been no moves to institute a similar system here, there's no reason why it wouldn't work. Of course, "NTSCPlus" doesn't sound quite as catchy as "PALPlus."

● **Five-minute movie.** The dream of "electronic video rental" is drawing closer, as a company called EMC³ plans demonstrations of a system to download a two-hour movie in five minutes to home recording equipment. A pioneer in "time compression," EMC³ says that it will demonstrate its system in January and has agreements with Japanese and Korean VCR manufacturers to work toward a common standard. The company aims to download movies to homes at about a 20:1 compression ratio, so that a full two-hour movie could be sent in a five-minute burst.

The reception device could be a recording optical disc or other system of the future, but EMC³ is betting that the first applications will be with modified VCRs. To send to home VCRs, the system would transmit, from a satellite or other origination point, a time-compressed movie in digital form. This could be recorded by standard analog VCRs at regular speed in "ones and zeros" form. For playback, the modified recorder plays at 1/20 the normal recording speed to reproduce the movie. EMC³ says that this can be done with servo-controlled playback modifications and unchanged VHS head-to-tape speed. The transmission would include "substantial error correc-

Continued on page 20

The Four-Year Electronics Degree Program That Really Hits Home!

Bring The Technology Home With A Bachelor Of Electronics Engineering Degree. No Hassles. No High Cost!



Now's the time to prepare for a profitable career.

We've lowered the cost of higher education.

It's true! You can earn a four-year Bachelor of Electronics Engineering Technology degree today ... and prepare yourself for a high-paying electronics career ... without quitting your job or ever leaving your home. Because World College, an affiliate of the Cleveland Institute of Electronics, offers you the total flexibility of independent study programs proven effective for people like you who truly want to succeed! World College independent study lessons help you build valuable skills

**Mail/Fax Today
or Call
1-800-696-7532**

step-by-step, and expert instructors are personally available to you with a toll-free call. What a way to earn an education!

A world of opportunity.

Where is your career headed? With a four-year bachelor's degree from World College, you call the shots, choosing from incredible, high-paying opportunities in electronics, telecommunications, computer, electrical power, and many other growing fields.

World College gives you the skills, the knowledge, the power to take advantage of your best opportunity in electronics. And you can do it all at your own pace!

Without leaving home.

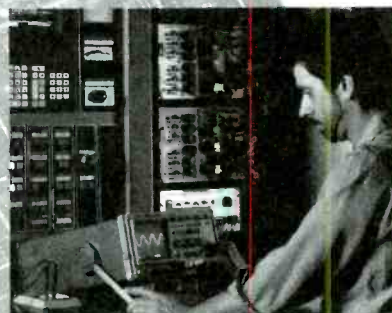
World College continually works to provide its students with the most advanced education tools. From the latest equipment and reference books to breakthrough computer-simulated experiments, students are exposed to the latest technological advancements.

All the equipment, parts, and software you need are included in your affordable tuition, including more than 300 hands-on lab experiments you can complete in your home.

Choose your own pace.

Earn your bachelor's degree on your time — and at your pace — because you pay tuition to World College only as you complete the upper-level semesters close to graduation. The faster you make it through, the less you pay. So you have an incentive to make your future happen quickly — yet the freedom to choose your own pace!

Send today for your FREE course catalog — and give yourself that future you've always wanted — with an electronics degree education, from World College.



Take charge of your future in electronics.

Four Powerful Reasons To Connect With World College Today:

1. Earn your four-year degree!
2. Self-paced training!
3. Independent study in your home!
4. Expert instruction!

Give Me The Power!

Send me a FREE World College course catalog today!



(Please Print Neatly)

Name _____

Address _____

City _____

State, Zip _____

Phone (____) _____

Age _____

**For faster service, call
1-800-696-7532,
or call
1-804-464-4600.**

**Or fax this coupon to
1-804-464-3687.**



Lake Shores Plaza
5193 Drive, Suite 113
Virginia Beach, VA 23455-2500



Affiliated with
Cleveland Institute of Electronics

WAE14

Write to Q & A, Electronics Now, 500-B Bi-County Blvd., Farmingdale, NY 11735

WHAT'S A NULL MODEM?

I need a null modem cable to connect two computers together but I'm not sure how to make one. Can you give me a list of the connections that have to be made?—R. Fenbis, Washington DC.

Probably the oldest joke in the computer business is told simply by using the terms "RS-232" and "standard" in the same sentence. Thanks to the IBM PC, the RS-232 (now EIA-232) standard truly is standard.

Most computers can be connected together via their serial ports with just three wires, as shown in Fig. 1-a. That setup will connect the signal and ground lines, but won't take care of any of the timing and flow-control signals. You didn't go into much detail about what you want to do, but that most serial communication is asynchronous so the timing and control signals are not necessary.

If you use a simple three-wire null modem, the software you're using will have to take care of controlling the flow of data and ensuring correct transmission. If that isn't possible, you'll need more than a basic three-wire connection. There are several common null-modem configurations that connect all the active pins, but the one that will work best for you depends on what you plan on to do. The safest and most useful configuration is shown in Fig. 1-b. This scheme is only for PC-to-PC connections. To connect a computer to a serial printer or other device, you might have to contact the manufacturer instructions.

Trying to set up a serial link between two devices can turn into a real can of worms. I would strongly suggest that you read a book on RS-232 connections. There are several books available that will give you a description of the signals and pin configurations for connecting specific of equipment.

SOUND DISTORTION

I'm using a commercial phone-dialing device that connects between the speaker jack of my computer and the phone line through a transformer. The device also has a small built-in speaker built-in because the

computer's speaker is disabled when anything is plugged into the jack. I replaced the device's built-in speaker with a larger one because the output wasn't loud enough.

I recently got a new computer and its line output isn't powerful enough to drive both the dialer and the dialer's internal speaker, so I added a minimum-configuration amplifier for the speaker based on an LM386 op-amp. Everything works fine but when the amplifier is first turned on, I get distorted sound for the first quarter second or so and everything works fine after that. Do you have any idea what's causing this distortion and how I can eliminate it?—N. Duncan, Washington, DC

This is one of those problems whose symptoms can be due to many causes. When you're faced with a problem like this, the best approach to solving it is the Sherlock Holmes method—the process of elimination. But before you suspect any circuit design flaws, test the amplifier with a different input device (a cassette player) and see if the same problem occurs. If the problem is caused by the input signal, then you'll have to figure out what to do about it yourself. Otherwise, if the problem is definitely with the amplifier itself, I have some suggestions.

Because the distortion shows up only for the first quarter second, and it happens only the first time audio is presented to the amplifier, my first response would be to suspect a capacitor. The distortion could also be caused by insufficient supply current, too low a signal level to the amplifier input, or too much DC in the input signal. You haven't mentioned how you're powering the amplifier, but your first test should be to power it separately and see how that affects the output audio. The easiest way to do this is with a fresh

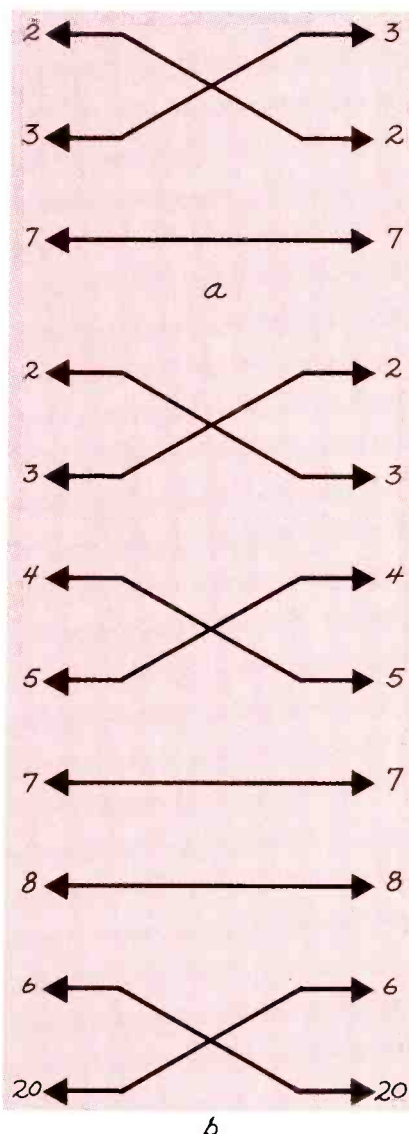


FIG. 1—MOST COMPUTERS can be connected together via the serial ports with just three wires, or a simple null modem (a). If the software you're using can't control the flow of data between the two computers, you'll need more than a basic three-wire connection, or a complete null modem (b).

nine-volt battery. If that solves the problem, add a separate 12-volt supply to the device to power the amplifier.

You might have an adequate signal level at the input of the amplifier, but a DC level that is too high. This can be tested by putting a pair of 1-microfarad capacitors on both sides of the amplifier inputs (signal and ground). This capacitively isolates the computer from the amplifier. If this solves the problem you can locate the capacitors in the amplifier housing.

The last thing I would do is try to reduce the size of the capacitor at the amplifier output. You can put in one as low as 100 microfarads and still get significant gain from the amplifier. If the gain is too low, you can raise it by putting a 10-microfarad capacitor and 5-kilohm potentiometer in series between pins 1 and 8 and removing of your input volume control.

ANY DIFFERENCE BETWEEN EMI AND RFI?

Can the terms EMI and RFI be used interchangeably? What is the difference between them?—G. Lyons, Brooklyn, NY

Electromagnetic interference (EMI) is unwanted electrical interference caused by a stray electromagnetic fields radiated from lightning, motors, power lines, and other electrical equipment. Enclosing the circuitry in metallic shielding is one way to prevent circuit problems due to EMI.

Radio-frequency interference (RFI) is EMI in the radio-frequency region of VLF (10–30 kHz) to SHF (3–30 GHz) that interferes with the output of amplifiers, detectors and other sensitive circuits. Its principal causes are radio and TV stations, emergency vehicles, trucks, and aircraft flying overhead. It can also be generated by computers, light-dimmers, and other equipment not designed to be radiators.

High-frequency circuits are most susceptible to RFI because long printed-circuit board traces and leads act like antennas for RFI, so these should be kept as short as possible when building the circuit.

Shielding equipment that generates RFI can be an effective technique to eliminate the interference. Ω

HOME FIRE SAFETY. ACT ON IT!



FOR FREE HOME FIRE SAFETY TIPS, WRITE:



United States Fire Administration
P.O. Box 70274
Washington, DC 20024



MORE FEATURES LESS COST



GoldStar brings you a variety of affordable digital multimeters to meet your test equipment needs.

- Large, easy to read 3 1/2 and 3 3/4 digit displays in Manual and Auto Ranging format
- Functions and Feature packed
- Overload protection voltage up to 600V in Resistance, Capacitance and Continuity-Ranges
- High Reliability and of course, sensibly priced
- Patent Pending wrong position 10A input jack
- Meets IEC-348 Safety Standards

Spec & Model	DM-311	DM-312	DM-313	DM-331	DM-332	DM-333	DM-334
Digit	3.5	3.5	3.5	3.75	3.75	3.75	3.75
Counts	2000	2000	2000	4000	4000	3200	4000
Range (Auto/Manual)	M	M	A/M	M	M	A/M	A/M
DC/AC Voltage (1000V/750V)	*	*	*	*	*	*	*
DC/AC Current (10A)	*	*	*	*	*	*	*
Resistance (20 Meg Ohm)	*	*	*	*	*	*	*
Bar Graph	*	*	*	*	*	*	*
Data Hold	*	*	*	*	*	*	*
Battery Tester	*	*	*	*	*	*	*
Continuity/Diode Check	*	*	*	*	*	*	*
TR Hfe	*	*	*	*	*	*	*
Frequency	*	*	*	*	*	*	*
Capacitance	*	*	*	*	*	*	*
Min./Max. Recording	*	*	*	*	*	*	*
Safety Hoister	*	*	*	*	*	*	*
List Price	\$49.95	\$79.95	\$59.95	\$99.95	\$119.95	\$69.95	\$99.95

Don't forget the other sensibly priced instruments available from GoldStar (Analog and Digital Storage Oscilloscopes, Sweep Function Generators, Frequency and Universal Counters, Bench Power Supplies, and Bench Digital Multimeters.)



GoldStar Precision
The Sensible Source

13013 East 166th St., Cerritos, CA 90701 310-404-0101 fax: 310-921-6227

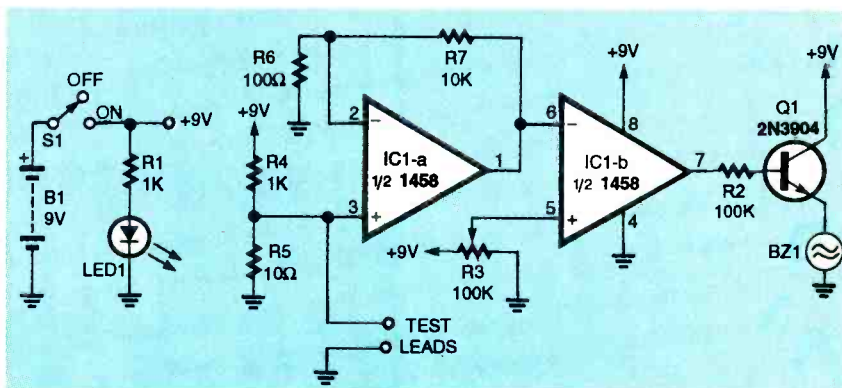
CIRCLE 195 ON FREE INFORMATION CARD

LETTERS

Write to Letters, Electronics Now, 500-B Bi-County Blvd., Farmingdale, NY 11735

MISSING RESISTOR

Any reader who tried to build our adjustable continuity tester (August 1994) should have noticed that R2 shown in the Parts List did not make it into the schematic—unfortunately, we should have noticed it first! The 100K resistor should be inserted between the pin 7 output of IC1-b and the base of Q1, as seen in the corrected schematic shown to the right. Sorry for the inconvenience.—*Editor.*



RELAY POINTERS

I am writing about the very informative article, *All About Relays*, in the June 1994 issue of *Electronics Now*.

A diode across a relay coil will, of course, damp out the large transient when the coil is de-energized. However, a diode can dramatically increase the relays drop-out or release time. In some applications this might not be acceptable. In those instances, a resistor and capacitor in series across the coil can avoid the use of a diode. The resistance and capacitance values depend on the coil characteristics and the coil voltage, and those values can be found in the relay manufacturer's data books.

The article said a lot about the CD4016B CMOS quad bilateral switch. It is a fine device, but there are at least three other CMOS bilateral switch ICs that offer additional functions and lower on resistance. My favorites are the CD4051B, CD4052B, and CD4053B, prime sourced by Harris Semiconductor.

Each of these inexpensive analog multiplexers/demultiplexers offers a single-pole, eight-position switch; two four-pole, two-position switches; and three single-pole, double-throw switches in 16-pin plastic DIP packages.

There are some subtle differences between these ICs and the CD4016B, but they are gener-

ally insignificant. I have used these ICs for complicated audio-switching systems and for logic-controlled computer I/O switching (parallel and serial ports), with no attendant problems.

EMERSON M. HOYT
Beaverton, OR

DISK-DOUBLING DOUBTS

In "Q&A" (*Electronics Now*, July 1994), P. Murphy asked for advice about the use of "disk-doubling" software. There are a couple of points that should have been made in Q&A's reply.

The disadvantage mentioned, "... that you never know for sure exactly how much room is left on the drive," is very real. An even greater concern might be the prospect of reaching a point where it is impossible to decompress your files because you have no room for them in their original state.

Nevertheless, readers should be cautioned about the greatest hazard attendant to the use of the disk-compression routines: untimely power interruptions that occur while files are open and the "real" directory is in use. Those interruptions can be caused by factors such as power outages, a nearby lightning strike, or turning off the computer while software is still working.

If the power goes off while the disk-compression software is working on files or on the "real" directory, you are at risk of losing access to

all compressed files on the drive!

My advice is to follow two rules: First, if you don't have an uninterruptible power supply that provides enough battery backup to allow you to exit your programs and close all the files in the event of a power failure, *don't* use a disk-compression program.

Second, *never* turn off the power to your computer unless a prompt is displayed and the disk activity light is out on the compressed disk. Windows users will be safe if they exit Windows to the DOS prompt and verify that the disk activity light is out.

Quite frankly, with disk space as inexpensive as it is now, I recommend that users spend their money on more disk space and avoid the disk-compression routines.

GEORGE BICKMORE
Ormond Beach, FL

DIGGING INTO DOWSING

In "Hardware Hacker" (*Electronics Now*, August 1994), Don Lancaster asked if "dowsing" is for real. I'd like to address that.

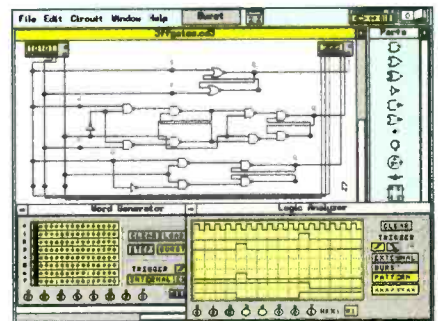
In 1953 I was fresh out of college with a master's degree in electrical engineering. I was assigned by my company, IT&T, to assist in the installation of a line-of-sight microwave system for the Michigan Wisconsin (gas) Pipeline Company.

At station C-10 in Sandwich, Illinois, I ran into a problem. The cable between the microwave shack and

“Electronics Workbench
is the best simulator to
design and verify circuits.”

*Gordon MacDonald
Production Engineer Technician*

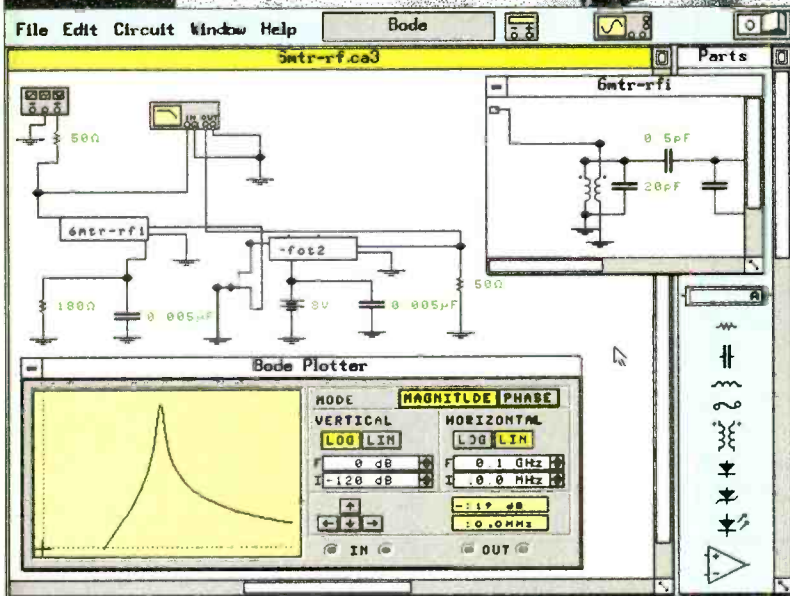
Electronics Workbench is a highly productive bench where you design and verify circuits in a fraction of the time. Connections are always perfect. Wires route themselves. And the simulated components and test instruments work just like the real thing.



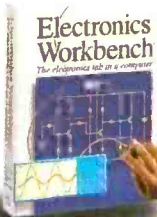
Digital Module: Analyzing a logic circuit.

It's faster than building with actual components because you change connections and component values instantly. And since the simulated components are free, you don't need to replace burnt-out parts or keep an extensive inventory. The result: You save precious time and money. Guaranteed!*

The standard for simplicity and power for over six years, Electronics Workbench is the most popular tool of its kind. It has gained worldwide acclaim as the ideal complement to any test bench. **Fact: Over 90% of our customers recommend it to their friends and colleagues.**



Analog Module: Tuning an RF front end.



FREE
Model Set
Library

Just \$299*

For DOS, Windows or Mac Version.



Electronics Workbench®

The electronics lab in a computer™

Call: 800 263-5552

INTERACTIVE IMAGE TECHNOLOGIES LTD.

908 Niagara Falls Blvd. #068, North Tonawanda, NY 14120-2060

Telephone: (416) 361-0333 FAX: (416) 368-5799

*30-day money-back guarantee.

Prices in U.S. dollars, shipping \$15. Offer valid in U.S. and Canada only.

All trademarks are the property of their respective owners.

**With the purchase of Electronics Workbench. Offer valid until October 15, 1994.

CIRCLE 126 ON FREE INFORMATION CARD



READERS: TELL US WHAT YOU THINK ABOUT THIS ISSUE

Are you interested in helping us make this magazine as good for you as it can be? Then be one of the first to join the 1994 *Electronics Now Reader Council*. Twice a year you'll be asked to complete a detailed questionnaire. It will tell us about the things in this magazine that are important to you and give us the information we need to make this your best possible reading.

If you would like to be considered for this special *Electronics Now* project, take a few minutes to answer the questions on this page and return it to us.

While we cannot accept everyone, we will randomly select our participants, giving each one of you an equal chance of being selected.

Please mail the completed questionnaire no later than November 30, 1994, to:

**Total Recall Research Group
Box 4079
Farmingdale, NY 11735-9622**

Thank you, and I am looking forward to hearing from you!

*Larry Steckler,
Editor-in-Chief*

1. **Where did you get this magazine?**
Subscription Newsstand
2. **Are you:**
Male Female
3. **How old are you:**
I am _____ years old
- 4a. **Highest education achieved?**

Attended technical school	<input type="checkbox"/>
Graduated technical school	<input type="checkbox"/>
Attended College	<input type="checkbox"/>
Graduated College	<input type="checkbox"/>
Earned PhD	<input type="checkbox"/>
- 4b. **Do you**

Hold FCC license	<input type="checkbox"/>
Hold other license, Certif.	<input type="checkbox"/>
5. **What is your total household income?**
Total household income, before taxes is \$ _____
6. **Name the article in this issue that you liked the best.**

7. **Name the article in this issue that you liked the least.**

8. **Name the department or regular column in this issue that you liked the best.**

- 8a. **Name the department or regular column in this issue that you liked the least.**

9. **Do you earn your living working in the electronics industry?**
Yes No
10. **If you were the editor, would you make the articles:**

More complex	<input type="checkbox"/>
Simpler	<input type="checkbox"/>
Longer	<input type="checkbox"/>
Shorter	<input type="checkbox"/>
More build it	<input type="checkbox"/>
Less build it	<input type="checkbox"/>
More how to	<input type="checkbox"/>
Less how to	<input type="checkbox"/>
11. **What articles would you publish?**

12. **What new columns would you add?**

13. **What else would you change?**
Use a separate sheet for your comments. Please give as much detail as possible.

Name _____
Address _____
City _____
State, Zip _____

the compressor station building had a short circuit. I contacted the company electrician, a fellow named Greg Fallentine, and told him that we would have to dig up the cable and replace it. I then asked him if he had any equipment to locate the cable, and he told me that he just uses "witchin' sticks."

Now, as a city kid from Brooklyn, I was sure that he was pulling my leg. Well, he did use "witchin' sticks"—two welding rods bent at 90° ("L"-shaped). He located the cable, then followed the path of the cable with the sticks. When the cable was dug there were no misses in the trench digging.

I still thought he was pulling my leg, so I asked him if he could teach me to dowse. He said he could. Still doubtful, I bet him a steak dinner at the best place in town that he couldn't teach me. Without hesitation, he said, "You're on!" He *did* teach me, and he taught me well. I lost the bet! I even taught others, including my boss at that time, another skeptical big city guy.

Here are some of the facts, however puzzling they are: First, the sticks will only locate a long conductor, not buried metal.

Second, the rods we used were ferrous (iron content) welding rods with magnetic properties. I have tried copper and aluminum rods and they also work.

I mentioned earlier that the electrician used the sticks to follow the cable. He held the sticks parallel, facing forward. If he crossed the conductor perpendicular to his travel, the sticks spread out to form a 180° angle. In following the conductor, if he was to the left, the right stick would face away; if he was to the right, the left stick would face away.

Do diving rods work for water? I don't know; however, I do know that station personnel have located sewer-drain tile with the sticks (I guess with water acting as the conductor). I suppose that diving rods would work with water running in an underground stream, particularly if the water contains minerals.

Is dowsing real? The answer, in my opinion, is a definite yes.

HARRY PLACE
Ridgewood, NJ

WHAT'S NEWS

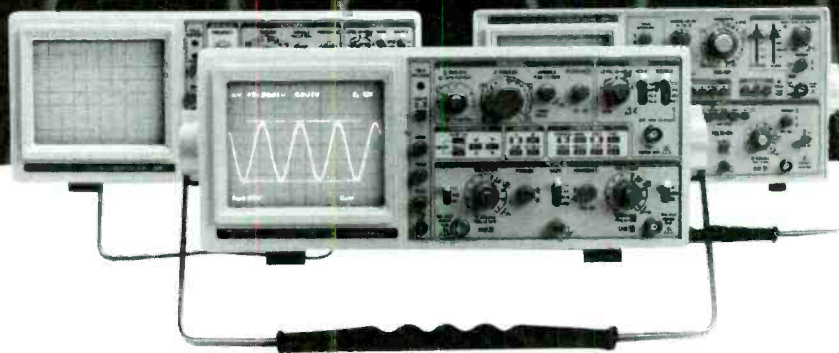
continued from page 4

ricated in which the angles of magnetization within its layers change as a magnetized bit region passes under it. This causes the resistance of the multilayer structure to change, and triggers a strong bit signal. The result was the spin-valve sensor.

EM fields could threaten women's health

Women who work in electrical jobs are 38 % more likely to die of breast cancer than women in other occupations, according to a study conducted at the University of North Carolina. It also found that the death rate from breast cancer in women who work with or around telephone installations is higher than for those working in electrical

WAVE GOODBYE TO PRICELY TEST EQUIPMENT



GoldStar offers a comprehensive line of affordable Analog and Digital Storage Oscilloscopes for your diagnostic needs.

- Signal Delay Lines
- Variable Holdoff
- TV Sync
- Max. Sweep Time of 2ns/div.

Digital Storage with CRT Readout and Cursor Control	Analog CRT Readout and Cursor Control	Analog
OS-3020: 20 MHz, 20 MS/s	OS-902RB: 20 MHz, Delayed Sweep	OS-9020A: 20MHz, Basic
OS-3040: 40 MHz, 20 MS/s	OS-904RD: 40 MHz, Delayed Sweep	OS-9040D: 40MHz, Delayed Sweep
OS-3060: 60 MHz, 20 MS/s		OS-9060D: 60MHz, Delayed Sweep
		OS-8100A: 100MHz, Delayed Sweep
		OS-9020G: 20MHz with 1MHz Function Generator

Don't forget the other sensibly priced instruments available from GoldStar (Sweep Function Generators, Frequency and Universal-Counters, Bench Power Supplies, and Bench and Handheld-Digital Multimeters).

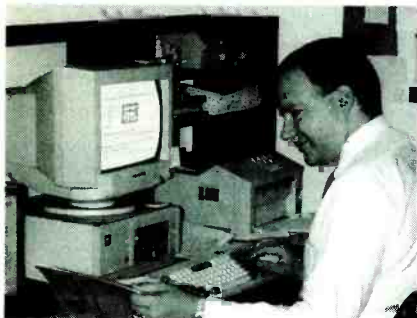


GoldStar Precision

The Sensible Source

13013 East 166th St., Cerritos, CA 90701 310-404-0101 fax: 310-921-6227

Earn Your B.S. Degree in COMPUTERS or ELECTRONICS



By Studying at Home

Grantham College of Engineering, now in our 44th year, is highly experienced in "distance education"—teaching by correspondence—through printed materials, computer materials, fax, modem, and phone.

No commuting to class. Study at your own pace, while continuing on your present job. Learn from easy-to-understand but complete and thorough lesson materials, with additional help from our instructors.

Our Engineering Technology B.S. Degree Program is available in either of two options:

- (1) The B.S.E.T. with Major Emphasis in Electronics, OR
- (2) The B.S.E.T. with Major Emphasis in Computers.

Our Computer Science B.S. Degree Program leads to the B.S.C.S.—the Bachelor of Science in Computer Science.

An important part of being prepared to *move up* is holding the right college degree, and the absolutely necessary part is knowing your field. Grantham can help you both ways—to learn more and to earn your degree in the process.

Write or phone for our free catalog. Toll free, 1-800-955-2527, or see mailing address below.

Accredited by
the Accrediting Commission of the
National Home Study Council

GRANTHAM
College of Engineering
Grantham College Road
Slidell, LA 70460

power generation and distribution.

The study published in the *Journal of the National Cancer Institute* indicated "epidemiological evidence" of a link between breast cancer and electromagnetic fields, but was unable to trace cause and effect relationships.

The authors of the report caution that the evidence is still not very strong because it was drawn entirely from public records relating gender, occupation and cause of death. The death certificates of 138,831 American women, including 27,814 who died of breast cancer, were studied.

The results are consistent with evidence that high lifetime exposure to estrogen is an important cause of breast cancer. Exposure to low-level electromagnetic fields apparently suppresses the brain's production of the hormone melatonin. Studies have shown that when melatonin falls, estrogen levels rise.

The breast cancer death rate was more than twice as high for women who install and repair telephones or work on telephone lines than those who work in occupations that do not involve electricity. The results were adjusted to rule out income, age, race and marital status.

The risk was found to be 75 % higher for female electrical power-line workers and electricians, 70% higher for female electrical engineers, and 28% higher for female electrical technicians.

Many other occupations such as computer programmers, computer equipment operators, data-entry personnel, and telephone operators also involve sustained exposure to electromagnetic fields, but the study found that the female death rate from breast cancer was no higher for those jobs than for the rest of the work force.

David Loomis, chief author of the study, believes that the difference might be explained by the higher levels of exposure to electromagnetic fields in jobs like telephone repair and equipment installation. He said other factors might explain the differing breast cancer rates. One could be exposure to polychlorinated biphenyls (PCBs), cancer-causing chemicals once commonly used in electrical insulation.

QST now on the newsstands

QST magazine is back on the newsstands. For the past 37 years, the monthly magazine, published by the American Radio Relay League (ARRL), has been available only to members and subscribers.

Each issue includes tutorial articles for beginners and reports on the latest technology for the more experienced hams. It also contains new product reviews and an events calendars.

Al Brodgon, managing editor of *QST*, reports that evidence of increasing popularity of amateur radio prompted the magazine to reverse its policy and return it to the newsstand.

IEEE Founders Medal to Sony chairman

Akio Morita, chairman of Sony Corporation, received the Founder's Medal of the Institute of Electrical and Electronics Engineers (IEEE) at its annual Honors Ceremonies, held on June 19 in Denver, Colorado.

The citation accompanying the medal said it was for Mr. Morita's "distinguished corporate leadership and for a lifetime of innovative contributions in bringing advanced technologies to consumer-electronic products."

Under his leadership, Sony developed Japan's first magnetic-tape recording system, all-transistor radio, and the world's first all-transistor television receiver. Sony went on to develop two products that were accorded unprecedented commercial success. They were so successful that their names have become part of the language: the Trinitron color television picture tube and the Walkman personal stereo/AM/FM receiver.

Mr. Morita is an honorary member of the IEEE, the world's largest technical professional society, and he holds an honorary doctor's degree in engineering from the University of Illinois. He is a graduate of Osaka Imperial University as a physics major.

The award was accepted on Mr. Morita's behalf by his wife and one sons because the Sony chairman was recuperating from a stroke that he suffered in November 1993. □

Get a sample of reality.

Looking for analog confidence in a digital oscilloscope? Tektronix' TDS 350 sets the standard with Digital Real Time. ■ Its

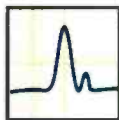
incredible *one gigasample / second* sampling delivers real-life capture like never before —



ONE POINT CAPTURED. SINGLE EVENT CAPTURE USING EQUIVALENT TIME SAMPLING. 20 MS/S. 100 MHZ DSO.

both for single shot or repetitive events.

Select peak detect for slow events, or push the scope to its full 200 MHz



REAL LIFE CAPTURE. SINGLE EVENT CAPTURE USING DIGITAL REAL TIME. 500 MS/S. 100 MHZ DSO.

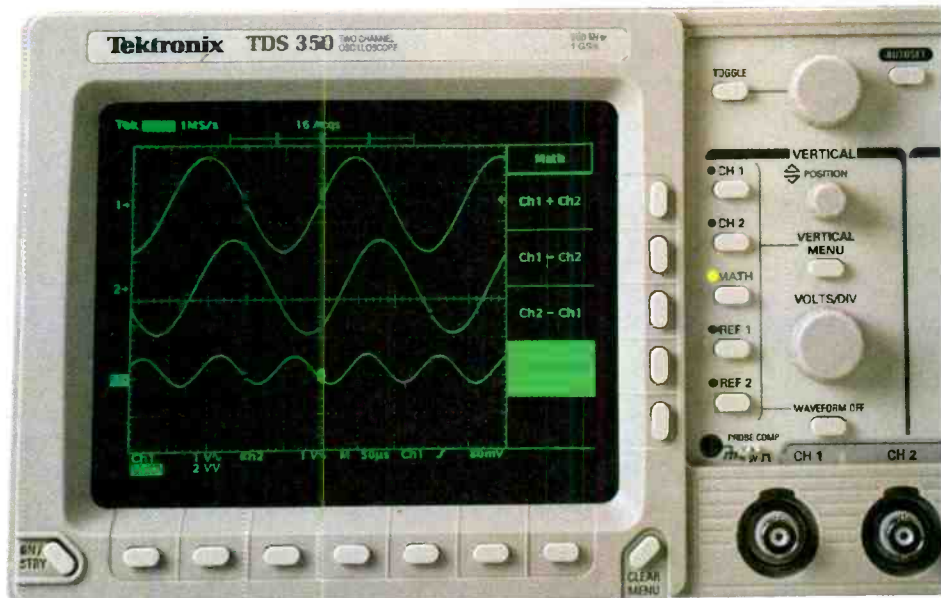
bandwidth — with no aliasing. ■ And, like the entire TDS 300 family, the TDS

350 sets a new standard in price/performance: under \$4,000.

Analog look and feel.

The TDS 300 family is simple and intuitive; just like your trusty analog scope. Even the digital interface is simplified with on-screen icons. You may never have to crack open the instruction manual!

High-end digital features. Each model features over 20 automatic measurements. Continuous update for hands-free oper-



ation. Four acquisition modes and video trigger — perfect for tailoring the display.

And a communication option for hardcopy

to most printers, or to send/ receive waveforms and setups.

Get real. For more real-time benefits of the TDS 300 family, call your authorized Tektronix distributor

There's a TDS 300 Series scope for every application. And every budget.

FEATURES	TDS 310	TDS 320	TDS 350
Bandwidth	50 MHz	100 MHz	200 MHz
Max Sample Rate	200 MS/s/chan	500 MS/s/chan	1 GS/s/chan
Sweep Speeds	10 ns/div - 5 s/div	5 ns/div - 5 s/div	2.5 ns/div - 5 s/div
Channels	2	2	2
Vertical Sensitivity	2 mV - 10 V	2 mV - 10 V	2 mV - 10 V
Vertical Resolution	8 bits	8 bits	8 bits
Record Length	1K/channel	1K/channel	1K/channel
Standard Advanced Features	TV Line & Field Trigger, Roll Mode, Autoset, 21 Automatic Measurements, Peak Detect		
Comm. I/O (Option 14)	GPIB, RS-232, Centronics and VGA video output		
Price	\$2295.	\$2995.	\$3995.

today. Or call Tektronix at (800) 426-2200, ext. 212.

Tektronix

CIRCLE 128 ON FREE INFORMATION CARD

EQUIPMENT REPORTS

Tektronix Tekmeter Portable Oscilloscope

When a DMM isn't enough, and a full-size oscilloscope is too much, you need a combination of both.

CIRCLE 15 ON FREE INFORMATION CARD



The general-purpose digital multimeter is the tool of choice for technicians on the go. It comes in handy for performing almost any troubleshooting task—except when you need to see waveforms. When it's important to see the shape of a waveform, an oscilloscope is required. A technician armed with an oscilloscope can do more than just measure voltages; he can make various timing adjustments, analyze the shape and timing of a waveform to determine the source of a problem, and he can often diagnose the problem simply by observing the characteristics of the waveform.

DMMs are popular because of their portability and versatility. By contrast, most oscilloscopes are large, heavy, and they require an AC outlet for power. But when a waveform must be seen, is there any other choice but an oscilloscope?

A new choice when you need to examine waveforms in the field is the *TekMeter* from Tektronix, Inc. (P.O. Box 500, Beaverton, OR 97077, 503-627-7111). The TekMeter combines an autoranging 5-megahertz oscilloscope and an autoranging DMM in one battery-powered package with an LCD screen.

The DMM function built into all TekMeter models is fully autoranging, and it has DC and true RMS ranges from 400 millivolts to 600 volts AC and 850 volts DC. The

meter can also measure resistance from 400 ohms to 40 megohms and includes a diode and audible continuity test. The autoranging oscilloscope function automatically finds, scales, and displays signals for hands-free operation. Autoranging can be turned off, if necessary.

The TekMeter measures about $4\frac{1}{2} \times 6 \times 1\frac{1}{2}$ -inches, weighs about two pounds, and has a "user feel" that's a lot more like a DMM than an oscilloscope. The unit has a rubber "bumper" on each corner to protect it if it falls. The bumpers also serve as anti-skid feet no matter what position it's in.

Six AA power cells fit in a compartment in the back of the unit. Two screws hold the compartment shut, so there's no danger of the cells accidentally spilling out. The Tekmeter will operate for up to four hours on six AA alkaline cells. The rugged plastic case has projections molded on the back and front to provide a comfortable grip when holding the meter in the left hand. The $2\frac{1}{2} \times 5$ -inch LCD screen is big enough to display a wide variety of information.

Three TekMeter models are available: the single-channel *THM 550* for \$859, the dual-channel *THM 560* for \$999, and the backlit dual-channel *THM 565* for \$1,259. A set of four probes is supplied with each model.

All TekMeters can also test motors, measure transformer har-

monic derating factor (THDF), and monitor power lines. Models THM 560 and THM 565 can also measure power and three-phase voltage. Model THM 565, in addition to its backlight feature, has the ability to store up to eight reference waveforms and setup configurations in memory, twice as many as the other two TekMeter models.

TekMeter operation

Each TekMeter has a row of push-buttons along its bottom edge. The round button at the far left turns power on and off. The next five rectangular buttons to the right initiate both DMM and oscilloscope functions. DMM functions are labelled in blue, and oscilloscope functions are labelled in yellow. Some of the buttons can toggle between two functions in either mode.

The first dual-function pushbutton toggles the unit between the METER and SCOPE modes. The second pushbutton toggles the meter between VOLTS AC/DC in the DMM mode, and between POSITION and SCALE functions in the Scope mode. Two sets of triangle-shaped cursor-control buttons, one horizontal and one vertical, let you position or scale the waveform, depending on the mode that you have selected.

The third dual-function pushbutton toggles the meter between resistance and continuity test in the DMM mode. In the Scope mode, it acts as a CURSOR/TRIGGER toggle, which lets you either position voltage and timing cursors on the display or set the scope to trigger.

The fourth pushbutton selects the diode test in the DMM mode and acts as a WAVEFORM ON/OFF toggle in the Scope mode. The fifth dual-function pushbutton (HOLD) holds the data on the display in the DMM mode and acts as a RUN/HOLD toggle in the Scope mode to stop and restart the waveform display.

In addition to the digital display in the DMM mode, a bargraph gives

Just like these Fully Trained Electronics Professionals



"Thanks to CIE I have tripled my previous salary, and I am now in a challenging and rewarding new field where only the sky is the limit."

Daniel Wade Reynolds
Industrial Electrician
Ore-Ida Foods



"CIE was recommended to me by my boss. It was appealing since I could study at my own pace at home and during business travel."

Dan Parks
Marketing Manager/Consumer Products
Analog Devices, Inc.



"I loved the flexibility CIE offered. It was the only way I could continue both school and my demanding job."

Britt A. Hanks
Director of Engineering
Petroleum Helicopters, Inc.



"I liked the way the school was set up with laboratory assignments to enforce conceptual learning. The thing which impressed me the most about CIE's curriculum is the way they show application of all the theory that is presented."

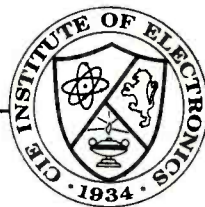
Daniel N. Parkman
Assistant Electro-Mechanical Technician
S. Air Force



"Completing the course gave me the ability to efficiently troubleshoot modern microprocessor based audio and video equipment and enjoy a sense of job security."

Mike Reynolds
Vice Manager/Technician
Stereo Audio & Video

Graduate with an Associate Degree from CIE!



CIE is the best educational value you can receive if you want to learn about electronics, and earn a good income with that knowledge. CIE's reputation as the world leader in home study electronics is based solely on the success of our graduates. And we've earned our reputation with an unconditional commitment to provide our students with the very best electronics training.

Just ask any of the 150,000-plus graduates of the Cleveland Institute of Electronics who are working in high-paying positions with aerospace, computer, medical, automotive and communications firms throughout the world. They'll tell you success didn't come easy...but it did come...thanks to their CIE training. And today, a career in electronics offers more rewards than ever before.

CIE'S COMMITTED TO BEING THE BEST...IN ONE AREA...ELECTRONICS.

CIE isn't another be-everything-to-everyone school. CIE teaches only one subject and we believe we're the best at what we do. Also, CIE is accredited by the National Home Study Council. And with more than 1,000 graduates each year, we're the largest home study school specializing exclusively in electronics. CIE has been training career-minded students for nearly sixty years and we're the best at our subject...
ELECTRONICS... IT'S THE ONLY SUBJECT WE TEACH!

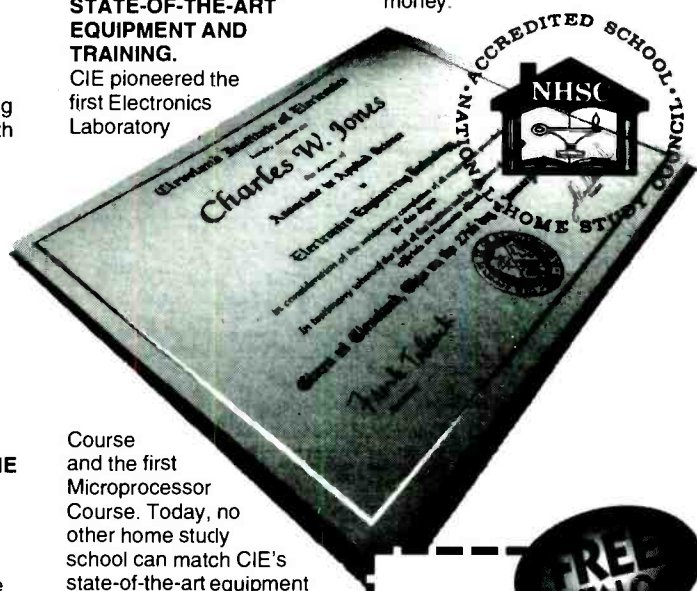
CIE PROVIDES A LEARNING METHOD SO GOOD IT'S PATENTED.

CIE's AUTO-PROGRAMMED® lessons are a proven learning method for building valuable electronics

career skills. Each lesson is designed to take you step-by-step and principle-by-principle. And while all of CIE's lessons are designed for independent study, CIE's instructors are personally available to assist you with just a toll free call. The result is practical training... the kind of experience you can put to work in today's marketplace.

LEARN BY DOING...WITH STATE-OF-THE-ART EQUIPMENT AND TRAINING.

CIE pioneered the first Electronics Laboratory



Course and the first Microprocessor Course. Today, no other home study school can match CIE's state-of-the-art equipment and training. And all your laboratory equipment, books and lessons are included in your tuition. It's all yours to use while you study and for on-the-job after you graduate.

PERSONALIZED TRAINING...TO MATCH YOUR BACKGROUND.

While some of our students have a working knowledge of electronics others are just starting out. That's why CIE has developed twelve career courses and an A.A.S. Degree program to choose from. So, even if you're not sure which electronics career is best for you, CIE can get you started with core lessons applicable to all areas in

electronics. And every CIE Course earns credit towards the completion of your Associate in Applied Science Degree. So you can work toward your degree in stages or as fast as you wish. In fact, CIE is the only school that actually rewards you for fast study, which can save you money.



YES!

I want to get started. Send me my CIE course catalog including details about the Associate Degree Program. (For your convenience, CIE will have a representative contact you - there is no obligation.)

Please Print Clearly

AE67

Name _____

Address _____

City _____

State _____ Zip _____ Age _____

Phone No. _____

Check box for G.I. Bill Benefits.

- Veteran
- Active Duty

Cleveland Institute of Electronics, Inc.
1776 East 17th Street
Cleveland, OH 44114

A School of Thousands.
A Class of One. Since 1934.

Send for CIE's FREE Course Catalog and See How We Can Help Your Career Too!

SURVEILLANCE & SECURITY

FM TRANSMITTERS MINIATURE (KITS)

- 3-VOLT FM XMTR, up to 300 ft. indoors, 1500 ft. outdoors
- PHONE XMTR, range to 500 ft., uses phone-line power
- Sound-Activated XMTR, range to 500 ft.
- 2-STAGE XMTR, 9-Volt, very powerful

All above require simple soldering at 2 to 4 places. Broadcast on std FM band. Assemble in less than 5 minutes. Any of the above **\$29.95****

TELE CALL FORWARDER. Transfers incoming calls to any number you select. **\$99.00***

CALLER ID. Registers incoming number and stores to 50 numbers. **\$99.00***

TEL REGISTER WITH PRINTER. Records dialed number, duration, and prints record. 16-digit display with security lock control. Stores up to 40 calls. **\$149.00***

TEL REGISTER W/O PRINTER. Records dialed number and time. 16-digit display. Holds up to 145 numbers in memory. **\$99.00***

12-HOUR LONG-PLAY RECORDER. Modified Panasonic. Records 6 hrs. on each side of 120 tape (supplied). Compatible with VOX and Tel Rec Adapter. **\$119.00***

VOX VOICE-ACTIVATED SWITCH. Makes recorder self-activating with voices or other sounds. Great for radios and scanners. Provisions for external mike and/or patch cord. **\$28.50****

TELEPHONE RECORDING ADAPTER. Records incoming and outgoing calls. Use of handset controls recorder and records both sides of conversation. **\$28.50***

TELEPHONE SCRAMBLERS. Over 51,000 separate codes; impossible to break code. Assures utmost privacy. **\$295.00***

VOICE CHANGER. Changes man's voice to lady's and vice versa. 4 separate settings. Ideal for disguising voice. **\$29.95****

RF BUG DETECTORS, AND MUCH MORE

For Shipping and Handling add **\$5.00** and ****\$2.00** per item. Colo. residents add sales tax. Mail Order. VISA, M/C, COD's o.k. Inquire for dealer prices. Free catalog.

TOLL FREE 1-800-926-2488

A.M.C. SALES, INC.

193 Vaquero Drive
Boulder, CO 80303
Tel: (303) 499-5405
Fax: (303) 494-4924

Mon-Fri 8 a.m. - 5 p.m. Mtn. Time

gives an analog indication of a measured value. Because the display is so large, certain data can be displayed at all times in the DMM mode. These include MAX, MIN, and MAX-MIN values; the most recent DATA HOLD value; and the instantaneous variation between the last held value (Δ HOLD). A RESET SELECT button on the right side of the unit resets the displayed data.

A MENU ON/OFF button on the right side of the meter switches the display to a function menu specific to either the DMM or Scope mode. Functions such as turning on the LCD backlight (model THM-565 only), setting a trigger mode, and retrieving a stored waveform can then be scrolled and selected.

A versatile instrument

A full line of accessories is available for the TekMeter, including an inductive current probe, hard and soft carrying cases, and a rechargeable nickel-cadmium battery pack and charger. Both an optional RS-232 adapter that lets the TekMeter send data to a printer or computer, and an AC adapter are included.

The TekMeters are small, rugged and convenient to use. For a technician on the go, or one working in a cramped location, a TekMeter is an ideal test instrument. If it weren't for the TekMeters' steep prices, we're sure that everyone would own one. If you think you could use a TekMeter, contact Tektronix today. Ω

VIDEO NEWS

continued from page 50

tion," almost doubling the quantity of information sent. Transmitted movies could be encoded to permit playing only once.

• **Who makes our TVs?** I'll bet you think the Japanese. Actually, because of the high value of the yen against the dollar, it's no longer practical for the Japanese to sell TVs here that are made in Japan. With the signing of the NAFTA treaty, an increasing number of TVs sold here are made in Mexico. In the first four months of this year, more



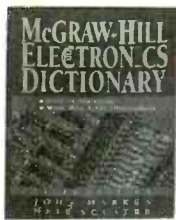
SHARP IS RESPONSIBLE for the recent consumer interest in camcorders with built-in monitors. After the success of its first ViewCam, Sharp now has a full line of camcorders with built-in monitors.

than 70% of TVs imported into the U.S. came from Mexico. For the first time in recent memory, more TVs are being imported than assembled in the U.S.

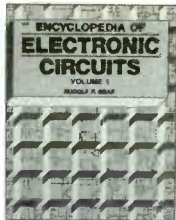
As sources for color TV, after Mexico—actually, a long way after—comes Malaysia, Thailand, and China, followed by Japan. Although many TVs are made by Japanese companies, they are now being made in countries other than Japan, where labor is cheaper. Even the sets that are sold in Japan by Japanese companies are, by and large, now being built in Japanese-owned plants in other Pacific Rim countries.

• **Monitor camcorders.** The latest fad in camcorders is their combination with video monitors for quick viewing of "rushes," pre-recorded cassettes, or even TV (with an optional tuner). It was all started by Sharp, whose ViewCam, incorporating a four-inch LCD monitor, was so successful that the company came out with a whole line of camcorders with three- and four-inch monitors built in. Sharp's success inspired somewhat similar models by Sony, Fuji Photo, JVC, and RCA, and there are now forecasts that as many as half of all camcorders will include the monitor feature in the future. The industry says that it's just the feature needed to push camcorder sales off dead center—and that could be true because the market came out of the doldrums and camcorders set a new record for sales in the first half of 1994. Ω

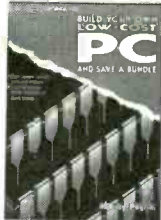
Select any 5 books for only \$4⁹⁵ (values to \$131.75) when you join the Electronics Book Club®



0404348H-XX \$49.50
Counts as 2 Hardcover



1938H-XXX \$60.00
Counts as 3 Hardcover



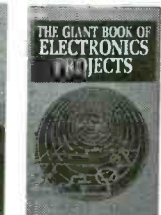
4209P \$19.95



4325H-XX \$39.95
Counts as 2 Hardcover



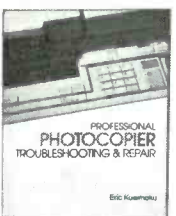
4112H-XX \$29.95
Counts as 2 Hardcover



1367P \$29.95



4503P-XX \$36.95
Counts as 2



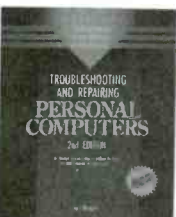
4331H-XX \$29.95
Counts as 2 Hardcover



0378028H-XX \$39.50
Counts as 2/Hardcover



4227P \$15.95



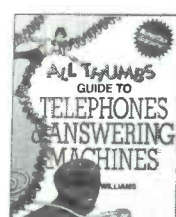
3677H-XX \$34.95
Counts as 2 Hardcover



3777H \$32.95
Hardcover



3802H-XXX \$84.95
Counts as 3 Hardcover



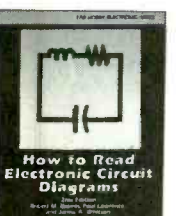
4416P \$9.95



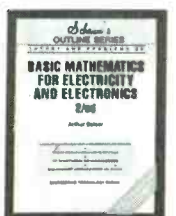
4179H \$28.95
Hardcover



4261H-XX \$38.00
Counts as 2 Hardcover



2880P \$15.95



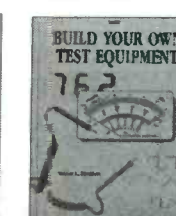
004439P \$12.95



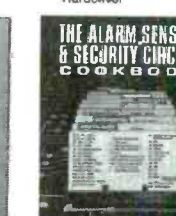
3627P \$19.95



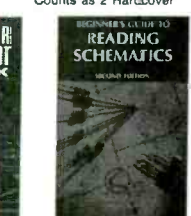
4139P \$16.95



3475P \$19.95



4334P \$17.95



3632P \$10.95

As a member of the Electronics Book Club . . .

. . . you'll enjoy receiving Club bulletins every 3-4 weeks that contain exciting offers on the latest books in the field — at savings up to 50% off regular publishers' prices. If you want the Main Selection do nothing, it will be shipped automatically. If you want another book, or no book at all, simply return the reply form to us by the date specified. You'll have at least 10 days to decide. Plus, you'll be eligible for **FREE BOOKS** through our Bonus Book Program. Your only obligation is to purchase 3 more books during the next 12 months, after which you may cancel your membership at any time.

Publishers' prices shown.

If you select a book that counts as 2 choices, write the book number in one box and XX in the next. If you select a Counts as 3 choice, write the book number in one box and XXX in the next 2 boxes. A shipping/handling charge and sales tax will be added to all orders. All books are softcover unless otherwise noted. ©1994 EBC

If coupon is missing, write to:
Electronics Book Club, Blue Ridge Summit, PA 17294-0810

Electronics Book Club®

Blue Ridge Summit, PA 17294-0810

YES! Please send me the books listed below, billing me just \$4.95 plus shipping/handling & tax. Enroll me as a member of the Electronics Book Club according to the terms outlined in this ad. If not satisfied, I may return the books within 10 days without obligation and have my membership cancelled.

--	--	--	--	--	--	--	--	--	--

If you select a book that counts as 2 choices, write the book number in one box and XX in the next.
If you select a Counts as 3 choice, write the book number in one box and XXX in the next 2 boxes.

Name _____

Address _____

City/State _____

Zip _____ Phone _____

Valid for new members only, subject to acceptance by EBC. Canada must remit in U.S. funds drawn on U.S. banks. Applicants outside the U.S. and Canada will receive special ordering instructions. All books are softcover unless otherwise noted. Publishers' prices shown. A shipping/handling charge & sales tax will be added to all orders.

RPIE1094

NEW PRODUCTS

Use the Free Information Card for more details on these products.

PROGRAMMABLE POWER SUPPLIES.

Four new programmable power supplies have been introduced by Tektronix. The PS2510 and PS2511 have a broad range of adjustable power output options with keypad programming for 100 different combinations of voltage, current, and timing for the automation of repetitive tests. The PS2510G and PS2511G have GPIB-based interfaces that support the SCPI format (industry-standard commands for programmable instruments).

The PS2510 and PS2510G provide adjustable power of 0 to 36 volts DC at up to 3.5 amperes, and the PS2511 and PS2511G provide 0 to 20



CIRCLE 20 ON FREE INFORMATION CARD

volts DC with current to 7 amperes.

The PS2510 (pictured) and PS2511 power supplies are priced at \$895. The PS2510G and PS2511G power supplies

are priced at \$1095.

Tektronix, Inc.

Test and Measurement Group

P. O. Box 1520

Pittsfield, MA 01202

Phone: 1-800-426-2200

COMPUTER-BASED PLUG-IN OSCILLOSCOPES.

PC Instrument's PCI-425 and PCI-435 plug-in cards for personal computers are said to offer the features of a 300-MHz oscilloscope. The PCI-425 has a single-channel and the PCI-435 has a dual-channel. Each plug-in card occupies one slot in the case of an IBM PC/AT or compatible personal computer.

The common specifications for both cards are

300-MHz bandwidth, 50-ohm input, 500-picosecond per division minimum timebase setting, and 200-gigasample per second equivalent sampling rate.

Each board also provides seven voltage ranges, AC/DC coupling, and a probe-compensation signal. They also offer 27 timebase settings from 500 picoseconds per division to 200 milliseconds per division, and an automatic trigger algorithm to establish a valid trigger level.

PCI reports that the characteristics of the plug-in cards make them suitable for use in ATE systems for testing communications signals, component pulse responses, and high-speed digital signals.

BenchCom software is included with each oscilloscope card. Optional BenchTop software provides a "point-and-click" graphics user interface (GUI) for storing and recalling waveforms, test setups, and the automation of test routines.

The PCI-425 sells for \$1695 and the PCI-435 sells for \$2695. BenchTop software is priced at \$495.

PC Instruments Inc.

9261 Ravenna Road,

Building B11

Twinsburg, OH 44087

Phone: 216-963-0800

DIGITAL VOLTMETER. The Intelligent DVM from DeltaQuest is a peripheral for use with an IBM PC/AT or compatible computer that

permits data acquisition. It is equipped with a Windows-based software program.

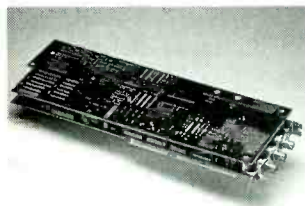
The system, which connects to the computer's parallel port, has a stated resolution of 5½ digits. It can be interfaced to low-level signal sources such as thermocouples and pressure and strain gauges. Voltage measurements range from ± 0.1 μ volt to ± 200 volts with autoranging on the higher ranges.

An optional eight-input differential multiplexer simplifies the measurement of multiple sources, and each channel can have its own unique rescaling format. Thermocouple measurement compensation is provided by software look-up tables.



CIRCLE 22 ON FREE INFORMATION CARD

Two digital outputs allow The Intelligent DVM to control peripheral equipment and their measurement processes. Digital voltmeter functions are controlled externally by two digital inputs, an on-screen pushbutton, and the DVM displayed value. Initiation, sampling, and termination are controlled by combinations of time, trigger, count, and displayed value.



CIRCLE 21 ON FREE INFORMATION CARD

All significant parameters can be recorded. The software provided permits the automatic rescaling or conversion of measurements. It can convert volts to decibels, degrees C, PSI or other scale. Graphics can be "cut and pasted" into other Windows programs, or printed.

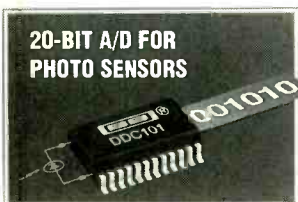
The Intelligent DVM is available in three models: The Professional Model is priced at \$339.95, the Basic Model is priced at \$299.95, and the Single-Range Model is priced at \$239.95.

DeltaQuest

4960 Almaden Expressway, Suite 238
San Jose, CA 95118
Phone: 408-997-8644
Fax: 408-997-6730

PHOTOSENSOR ANALOG-TO-DIGITAL CONVERTER.

Burr-Brown's DDC101 20-bit, current-input analog-to-digital converter offers digital filter noise reduction, (1.6 ppm, RMS), digital error correction (correlated double sampling (CDS) and a conversion rate up to 15 kHz. The monolithic IC contains a digital-to-analog converter, comparator, digital integration tracking and control logic, a digital filter and error correction, and a serial I/O register.



CIRCLE 23 ON FREE INFORMATION CARD

The DDC101 is intended for direct connection to low output sensors such as photosensors, precision instrumentation, infrared pyrometry, precision process control and chemical analysis.

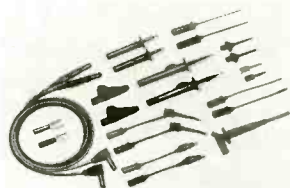
DDC101 A/D converters, packaged in plastic 24-pin SOIC and 28-pin dual in-line (DIP) cases, are priced from \$22.95 in thousands quantities.

Burr-Brown Corporation

P. O. Box 11400
Tucson, AZ 85734
Phone: 800-548-6132

MODULAR TEST LEAD KITS.

Probe Master is offering its 9100 Series modular test lead kits. Each is available with up to 25 different plug-in accessories. These include sprung, pincer, and wire-piercing hooks, extender probes, alligator clips, and five-way telephone clips.



CIRCLE 24 ON FREE INFORMATION CARD

The leads have flexible strain relief, 440-strand wire, and silicone insulation that is flexible but impervious to burning from soldering tools. Kits are offered with straight, retractable, shrouded banana plugs or right angle, fixed shrouded banana plugs.

Prices of 9100 Series test lead kits start at \$24.90. The Electronic Deluxe Kit (pictured) has a price of \$64.90.

Probe Master Inc.

215 Denny Way
El Cajon, CA 92020
Phone: 800-772-1519
Fax: 619-258-7413

ESD GROUNDING SYSTEM TESTER.

HMC's Model 489 electrostatic discharge (ESD) tester is intended for checking the integrity of the grounding in ESD-pro-

POWER TRIP

REGULATED DC POWER SUPPLIES



- 90 To 250 Watts Output Power
- Output Stability <5mV
- For Power Source Voltage Change Of \pm 10%
- Overload Protection & C.C. Self Restoring Type
- 1.5% V Accuracy Full Scale
- Low Output Ripple <2mV
- Dual Metering
- Series And Parallel Operation
- Current Limiting

GP-303 0-30V/3A \$249.00
GP-305 0-30V/5A \$369.00

GP-503 0-50V/3A \$339.00
GP-505 0-50V/5A \$429.00
GP-4303D 0-30V/3A \$199.00



GoldStar Precision

The Sensible Source

13013 East 166th St., Cerritos, CA 90701 310-404-0101 fax: 310-921-6227

CIRCLE 191 ON FREE INFORMATION CARD

GREAT NEW PRICE!

GLOBAL SPECIALTIES

PROTOLAB™

Build and Test Actual Circuits
On Your PC Using This Complete
Electronics Laboratory!

NOW ONLY
\$49.95!

was \$129.95

OPTIONAL
PROTOWARE™
\$19.95

System Requirements:
IBM/PC
512K RAM
EGA/VGA Video
& mouse

PROTOLAB™

A state of the art electronics lab perfect for the hobbyist, student, or engineer. Build and experiment with actual circuits, using a variety of components, including resistors, capacitors, inductors, general impedance, AC voltage sources, batteries, and AC/DC current sources. Then, analyze your circuits with built-in high tech instruments. Expand your lab with the optional PROTOWARE™ modules.

GLOBAL SPECIALTIES®

70 Fulton Terrace, New Haven, CT 06512
(203) 466-6103 • Fax: (203) 468-0060
(800) 572-1028

CIRCLE 122 ON FREE INFORMATION CARD

an
Interplex
Industries
company



CIRCLE 25 ON FREE INFORMATION CARD

tective systems. It will check wrist straps and grounding wires, measure the contact resistance between wrist straps and the skin of operators in ESD protected workstations, and the contact resistance between ESD-protective mats and grounding wires.

By verifying the specified resistance between system elements, the Model 489 can prevent both employee exposure to electric shock and the destruction or damage of ESD-sensitive devices or circuits. After connecting the Model 498's grounding wire, the test is performed by pressing a large pad on the instrument.

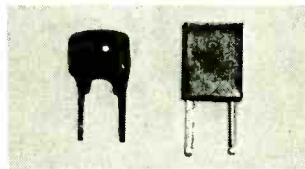
A green good lamp lights and an audible signal sounds if the grounding system is safe (resistance between 500 kilohms and 10 megohms). The red high lamp lights to indicate a loose electrical contact between the operator's wrist band and skin (resistance greater than 10 megohms). A red low lamp lights to indicate a faulty ground cord resistor (resistance less than 500 kilohms).

The Model 489 ESD grounding system tester with an eight-foot grounding wire and a 9-volt battery is priced at \$95.

Hub Material Company
33 Springfield Avenue
Canton, MA 02021
Phone: 617-821-1870
Fax: 617-821-4133

CERAMIC RESONATORS WITH CAPACITORS. Integrity Technology's ZTS high-frequency piezoceramic resonators in the frequency range of 2.0 to 12 MHz have built-in capacitors. The capacitors have typical values of 30 picofarads, and they are connected at the center pin for standard TTL circuits. Optional 100-pF capacitors for CMOS circuits are available.

Frequency tolerance is $\pm 0.3\%$ at ambient temperature. Operating temperature range is from -20°C to $+80^{\circ}\text{C}$. Frequency tolerance from



CIRCLE 26 ON FREE INFORMATION CARD

aging is given as $\pm 0.3\%$ per year for 10 years.

The combined components are intended to save PC board space and save the cost of two additional load capacitors to ground. The resonators are made with capacitors at the insulating pads connecting to the three output leads.

Resonator/capacitors are intended for phone tone dial DTMF circuits for telephones, answering machines, fax machines, and modems. They are also intended for infrared remote controls and battery-powered microcontrollers in pocket transmitters.

The ceramic resonator/capacitors are priced at \$0.17 each in quantities of 10,000.

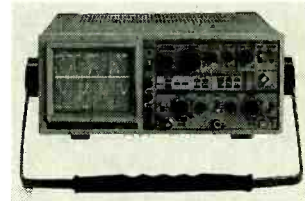
Integrity Technology Corporation

1400 Coleman Avenue,
Suite E15
Santa Clara, CA
95050-4358
Phone: 408-262-8640
Fax: 408-262-1680

60-MHz DIGITAL STORAGE SCOPE. B + K Precision has introduced its Model 2560, a portable, dual-channel digital storage oscilloscope with a 60-MHz bandwidth and 20-mega-sample per second sampling. It offers cursors, readouts, and an RS-232C port for sending data to a computer.

Cursor measurements include voltage, time interval, frequency, and pre-trigger. Readouts include volts per division, seconds per division, data-acquisition method, and the instrument's display function.

The bandwidth of the Model 2560 covers DC to 60 MHz (-3 dB). Its main timebase is equipped with variable hold off. Sweep speed can be varied from 0.1 microsecond per division to 0.2 seconds per division in 20 steps. The delayed timebase is adjustable from 0.1 microsecond per division to 10 microseconds per division in seven steps.



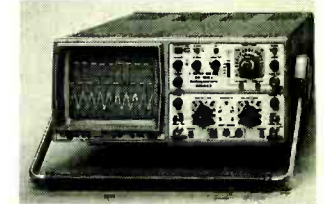
CIRCLE 27 ON FREE INFORMATION CARD

Sweep delay is adjustable from 1 to 10 divisions or more. Up to 10 times sweep magnification is available. Eight trigger modes and X-Y operation is provided. The Model 2560 has a 6-inch CRT with 10 kilovolts accelerating potential.

The Model 2560 digital storage oscilloscope is priced at \$2395.

B + K Precision
6470 West Cortland Street
Chicago, IL 60635
Phone: 312-889-1448
Fax: 312-794-9740

30-MHz DUAL-CHANNEL OSCILLOSCOPE. Hameg Instruments' HM303 30-MHz, dual-channel oscilloscope has vertical amplifiers with sensitivity down to 2 millivolts per division. Overshoot is limited to 1%.



CIRCLE 28 ON FREE INFORMATION CARD

Probe compensation adjustment is achieved with a built-in, dual-frequency, 1-kHz per 1-MHz calibrator which can optimize probe-tip display fidelity. Maximum sweep rate is 10 nanoseconds per division with the $\times 10$ magnifier. The HM303 can trigger on signals greater than 100 MHz and on inputs less than one-half a graticule division on the screen. An active sync-separator allows detailed examination of complex TV signals.

The HM303 includes a built-in component tester, which operates from a stabilized measurement voltage for rapid pushbutton test of active and passive circuit components. A built-in, low-noise switching power supply provides 90 to 260 volt AC.

The HM303 oscilloscope sells for \$548.

Hameg Instruments
1939 Plaza Real
Oceanside, CA 92056
Phone: 800-247-1241
Fax: 619-630-6507

RF COUNTER. Hewlett-Packard's single-channel HP 53181A radio frequency counter has a bandwidth of 225 MHz.

An automatic limit-testing feature permits upper

and lower boundaries to be set on any measurement. An analog display provides a graphic indication if a measurement is within pre-assigned pass/fail limits. The counter logs and flags out-of-limit conditions and can generate an output signal to trigger external devices when a limit is exceeded.

Built-in statistics and math functions permit the analysis and display of measurement data without the need for transferring the data to a computer. A standard HP-IB port provides full SCPI-compatible programmability.

A data transfer rate of more than 200 fully formatted measurements per second is suitable for computer-controlled systems. A standard RS-232C (talk only) interface supports a printer or data transfer to a computer through a termi-



CIRCLE 29 ON FREE INFORMATION CARD

nal emulation program.

The RF counter provides 10 digits of resolution per second. For applications that demand frequency resolution, a digit-blanking function eliminates unnecessary digits for rapid reading.

Optional second channels provide high-frequency measurements up to 1.5 GHz and 3 GHz.

The HP 53181A RF counter has a price of \$1500. The optional 1.5-GHz two-input channel has a price of \$500 and the 3-GHz two-input channel has a price of \$800.

Hewlett-Packard Company

Direct Marketing
P. O. Box 58059,
MS51 L SJ
Santa Clara, CA
95051-8059
Phone: 1-800-452-4844,
ext. 8327



CIRCLE 30 ON FREE INFORMATION CARD

PCMCIA SERIAL I/O CARD.

A serial I/O Card in PCMCIA format from Smart Modular Technologies provides high-speed serial ports for battery-powered notebook computers and personal digital assistants (PDA) and many other systems equipped with Type II slots. It is compatible with all DOS- and Windows-based software.

The card includes a 16550 UART and an 8530 USART permitting either asynchronous or synchronous communication. The asynchronous port can be configured as COM 1, 2,

3, or 4; the synchronous port is fully programmable. The included software eliminates jumpers. A power-down mode extends battery life when the card is not in use.

The PCMCIA Serial I/O Card sells for \$145 when purchased in hundreds.

Smart Modular Technologies

45531 Northport Loop W
Fremont, CA 94538
Phone: 510-623-1231

TRY THE NEW

Electronics
NOW[®]

B B S

516-293-2283

COMMUNICATE WITH
OTHER READERS OF
ELECTRONICS NOW

DOWNLOAD ARTICLE-
RELATED FILES
AND SOFTWARE

V.32/V.42bis
516-293-2283

Heathkit® Heathkit® Heathkit® Heathkit® Heathkit®

Camcorder Servicing

Now, a Quality, Affordable, and Value-Packed Course

The best course of its kind, it teaches you how to service the hottest new consumer electronics product—the camcorder. You also get one of the best, feature-packed camcorders available today.



What You'll Learn:

Obviously this course teaches how to fix dirty video leads, jammed tapes, worn rubber belts or rollers, dirty contacts, etc. But unlike others, Heathkit's course goes far beyond the routine, into the theories of light, optics, color, electronic shutters, image transducers, plus how electronic signals are recorded onto magnetic media and played back again.

You will delve into, test, and troubleshoot the sophisticated electronic circuitry of one of the most technically advanced camcorders ever. With Heathkit behind you, you can't fail. Beyond maintenance and repair, this course will empower you with the knowledge to get the most out of your own camcorder.

Compare this course with any others. You'll find that Heathkit offers you 2 to 3 times more value and better quality. Among the many additional courses available are TV, VCR, PC Servicing, Electronics, and more.

*Heathkit Educational Systems • 455 Riverview Drive • Benton Harbor, MI 49023-1288

For a Full-Line Catalog of Electronics and Computer Courses, call 1-800-44-HEATH
When calling, please mention this code: 020-025

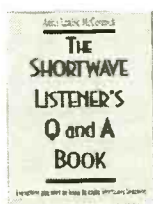
CIRCLE 86 ON FREE INFORMATION CARD

NEW LITERATURE

Use The Free Information Card for fast response.

The Shortwave Listener's Q and A Book: Everything You Need to Know to Enjoy Shortwave Listening; by Anita Louise McCormick. Tab Books Inc., Blue Ridge Summit, PA 17294-0850; Phone: 1-800-233-1128; \$12.95.

Shortwave radio allows listeners to "travel" to different places around the world and listen to foreign languages, music, and news from different perspectives. This book is intended to encourage and help people get started in shortwave listening, now easier and less expensive to do, thanks to the new generations of solid-state, synthesized receivers.



CIRCLE 337 ON FREE INFORMATION CARD

Arranged in a question and answer format, the book answers most of the commonly asked questions about shortwave radio. It provides guidance on the selection of receivers matched to the listener's budget and listening habits. It also lists vendors of those receivers and their locations. Other topics include concepts of international time zones, how and when to receive international broadcasts, amateur signals and special purpose stations of interest.

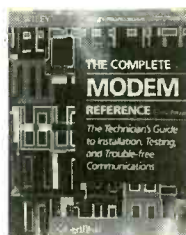
In Q and A format, the

book also explains where to learn about changes in transmission frequencies and broadcast times, how to write reception reports, and how to receive shortwave stations. A discussion of the fundamentals of radio transmission includes the basics of amplitude and frequency modulation and single-sideband transmission. Also discussed are such subjects as antennas and environmental factors that affect signal reception. Appendixes include a directory of shortwave stations and radio listening clubs, and a bibliography of author-selected books on radio.

The Complete Modem Reference: The Technician's Guide to Installation, Testing, and Trouble-free Communications; Second Edition; by Gilbert Held. John Wiley & Sons, Inc., 605 Third Avenue, New York, NY 10158-0012; Phone: 1-800-CALL-WILEY; \$34.95.

This second edition to the modem reference book is a practical guide to the purchase, test, installation and troubleshooting of modems. It contains useful tables, checklists, and summaries that reflect technical advancements since the publication of the first edition.

New material includes a discussion of the V.32bis standard and V.FAST modulation and modem settings. Other new topics include fax-modem standards and their relation to computer software, pocket modems, PCMCIA inter-



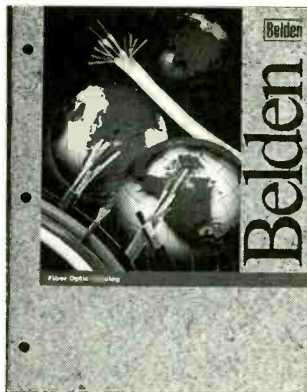
CIRCLE 338 ON FREE INFORMATION CARD

faces, and modems suitable for networks.

The book discusses all popular modulation standards and the factors that govern modem compatibility. It presents methods for communicating with information utilities, and covers E-mail, bulletin boards, mainframe computers, and other information sources. A checklist of 25 statements will remind readers of the most important considerations when shopping for a modem.

Fiber Optic Catalog. Belden Wire & Cable Company, P. O. Box 1980, Richmond, IN 47375; Phone: 1-800-BELDEN-4; free.

This 60-page, illustrated catalog describes Belden's extensive line of fiber-optic



CIRCLE 339 ON FREE INFORMATION CARD

cables, and includes comprehensive application and technical information. A fold-out, color-coded selection guide identifies the different applications for Belden fiber-optic cable.

The product section contains detailed information and drawings of the company's line of fiber-optic cables. A 30-page technical information section contains color code, metric conversion, and buffer tube configuration charts. A basic guide gives information on fiber optics, fiber-optic system design, installation, connectors, and a glossary. A cable-substitution chart and a standards reference guide are also included.

Create Your Own Desktop Publishing System; by Harley Bjelland. Windcrest/McGraw-Hill, Blue Ridge Summit, PA 17294-0850; Phone: 1-800-233-1128; Fax: 717-794-2103; \$24.95.

This book on desktop publishing is intended to help readers find the right components needed to assemble cost-effective, custom desktop-publishing systems. It is written at a level that is suitable for everyone from entry-level amateur publishers to professional publication designers and producers.

Bjelland's book includes step-by-step instructions for integrating three levels of desktop publishing performance. All are based on high-level word processing programs, entry-level desktop publishing software, and such application programs as Pagemaker and

24 HOUR SHIPPING ELENCO • HITACHI • B&K PRODUCTS

TO ORDER
CALL TOLL FREE
1-800-292-7711
1-800-445-3201 (Can.)

**AFFORDABLE - HIGH QUALITY
2 YEAR WARRANTY**



STANDARD SERIES
S-1325 25MHz \$349
S-1340 40MHz \$495
S-1365 60MHz \$849

Features:

- High Luminance 6" CRT
- 1mV Sensitivity
- X-Y Operation
- Voltage, Time, + Frequency differences displayed on CRT thru the use of cursors (S-1365 only)
- Plus much, much more
- TV Sync
- 2 - x1, x10 Probes
- Complete Schematic

ELENCO OSCILLOSCOPES



DELUXE SERIES
S-1330 25MHz \$449
S-1345 40MHz \$575
S-1360 60MHz \$775

Features:

- Delayed Sweep
- Automatic Beam Finder
- Z Axis Modulation
- Built-in Component Test
- Plus all the features of the "affordable" series
- Dual time base
- Illuminated internal gradicule

Hitachi Compact Series Scopes

V-212 - 20MHz Dual Trace	\$399
V-525 - 50MHz, Cursors	\$995
V-523 - 50MHz, Delayed Sweep	\$949
V-522 - 50MHz, DC Offset	\$895
V-422 - 40MHz, DC Offset	\$795
V-222 - 20MHz, DC Offset	\$649
V-660 - 60MHz, Dual Trace	\$1,149
V-665A - 60MHz,DT, w/cursor	\$1,325
V-1060 - 100MHz, Dual Trace	\$1,395
V-1065A - 100MHz, DT, w/cursor	\$1,649
V-1085 - 100MHz, QT, w/cursor	\$1,995
V-1100A - 100MHz, Quad Trace	\$2,495
V-1150 - 150MHz, Quad Trace	\$2,895

B&K OSCILLOSCOPES

2120 - 20MHz Dual Trace	\$389
2125 - 20MHz Delayed Sweep	\$539
1541B - 40MHz Dual Trace	\$695
2160 - 60MHz Dual Trace, Delayed Sweep, Dual Time Base	\$949
2190 - 100MHz Three Trace Dual Time Base, Delayed Sweep	\$1,395
2522A - 20MHz / 20MS/s Storage	\$875

Digital Capacitance Meter



CM-1550B
by Elenco

\$58.95

9 Ranges
.1pf-20.000ufd
.5% basic acy.

Big 1" Display Zero control w/ Case

Digital LCR Meter



LC-1801

\$125

Measures:
Coils 1uH-200H
Caps .1pf-200uf
Res .01-20M

Big 1" Display

by Elenco

Digital Multimeter



DVM-638

\$39.95

11 Functions with Case

FLUKE MULTIMETERS

Scopemeters (All Models Available Call)	
Model 93	\$1,225.00
Model 95	\$1,549.00
Model 97	\$1,795.00
10 Series	
Model 10	\$62.95
Model 12	\$79.95
70 Series	
Model 70II	\$65.00
Model 77II	\$149.00
Model 79II	\$169.00
80 Series	
Model 87	\$289.00

12A DC Power Supply



B+k 1686

\$169.95

3-14V @ 12A

Fully regulated & protected
Separate volt & current meters
with current limiting, low ripple

Quad Power Supply XP-580



\$79.95

2-20V @ 2A 5V @ 3A
12V @ 1A -5V @ .5A

Fully regulated and short circuit protected

B&K 390



\$139

3-3/4 Digit DMM
Bargraph
9 Functions
Including Temp, Freq
Rubber Boot

Dual-Display LCR Meter



w/ Stat Functions
B+k 878
\$239.95

Auto/Manual Range
Many Features
w/ Q Factor
High Accuracy

Sweep/Function Generator



\$239

Elenco

GF-8026

Int/Ext operation
Sine, Square, Triangle, Pulse, Ramp
.2 to 2MHz, Freq Counter .1-10MHz

Audio Generator



Elenco GF-800

\$59

20Hz-150KHz
Sine/Square
Waves
Handheld

2MHz Function Generator



B+k 3011B

\$219.95

LED Display, Sine, Square, Triangle, Ramp
& Pulse Waves. TTL & CMOS

Digital Multimeter Kit



with Training Course

Elenco

M-2665K

\$49.95

Fun & Easy to Build

Full Function 34 Ranges, Includes
Capacitance, Transistor/Diode Testing
20Amp AC/DC, Extra Large Display, Ideal
School Project M-2661 (assembled) **\$55**

Learn to Build and Program Computers with this Kit

Includes: All Parts, Assembly and Lesson Manual



Model

MM-8000

\$129.00

by Elenco

Starting from scratch you build a complete system. Our
Micro-Master trainer teaches you to write into RAMs,
ROMs and run a 8085 microprocessor, which uses
similar machine language as IBM PC.

Elenco Wide Band Signal Generators



SG-9000

\$119

RF Freq 100K-450MHz AM Modulation
of 1KHz Variable RF output

SG-9500 w/ Digital Display &
150MHz built-in counter **\$239**

TELEPHONE PRODUCT TESTER



B+k 1045A

\$499.95

Provides basic operation tests for corded
& cordless telephones, answering
machines and automatic dialers.

Multi-Function Counter



Elenco F-1200

1.2GHz

\$229

Measures Frequency, Period, Totalize
8 LED digits, Crystal oven oscillator,
.5ppm accuracy

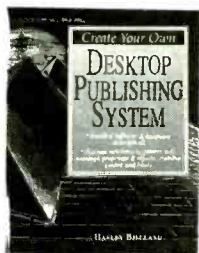
WE WILL NOT BE UNDERSOLD
UPS SHIPPING: 48 STATES 5% OTHERS CALL
IL RES add 7.75% TAX
PROBES INCL ALL SCOPES & METERS

C&S SALES INC.
1245 ROSEWOOD, DEERFIELD, IL 60015
FAX: 708-520-0085 • (708) 541-0710



15 DAY MONEY BACK GUARANTEE
FULL FACTORY WARRANTY
WRITE FOR FREE CATALOG

October 1994, Electronics Now



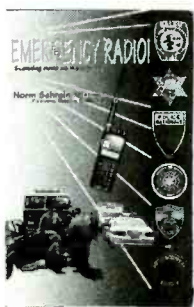
CIRCLE 340 ON FREE INFORMATION CARD

QuarkXPress, and Ventura Publisher.

Chapters discuss how to buy and install equipment such as additional random-access memory, graphics cards, printers, monitors, scanners, CD-ROM drives, disk drives, modems, and fax machines. A lists of mail-order hardware and software vendors is included, and checklists offer guidance in evaluating specific equipment needs.

Emergency Radio! Scanning News as it Happens; by Norm Schrein. Index Publishing Group, 3368 Governor Drive, Suite 273F, San Diego, CA 92122; Phone: 800-546-6707; \$14.95 plus \$3 shipping and handling.

This book is filled with practical information on how to monitor the transmissions from emergency



CIRCLE 341 ON FREE INFORMATION CARD

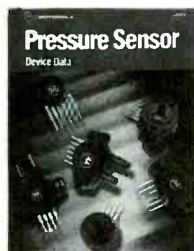
services: police, fire departments, emergency medical services, and the Coast Guard, to mention but a few. It explains how the amateur radio operator and ordinary citizens can listen to emergency trans-

missions to stay informed on events as they happen.

The author's background gives him a unique perspective on the events behind emergency radio transmissions. He has been a police officer, a fireman, and an emergency medical services technician. Known as "Mr. Scanner," he is the president of the Bearcat Radio Club. He is able to give the reader important insights into the meanings of codes and terse messages that are heard during natural and manmade disasters.

Pressure Sensor Device Data Book. Motorola Inc., Literature Distribution Center, P. O. Box 20924; Phoenix, AZ 85063; Phone: 800-441-2447; Fax: 602-994-6430; free.

This first revision of a pressure sensor data book from Motorola includes new product information and extensive background



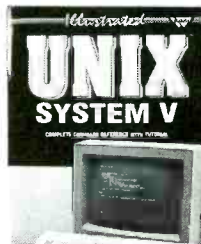
CIRCLE 342 ON FREE INFORMATION CARD

technical information on the company's latest IC sensors that are micro-processor compatible.

Data sheets give the specifications of individual sensors, and application notes describe compatible interface circuitry. Other sections give reliability data, package outline drawings, information on sensor evaluation boards, and guidance on handling and mounting the devices.

Illustrated UNIX System V: Complete Command Reference with Tutorial; by Robert Felps. Wordware Publishing, Inc., 1506 Capital Avenue, Plano, TX 75074; Phone: 214-423-0090; \$24.95.

This reference book is a complete guide to the Unix system V operating system based on the AT&T Unix System V, Release 4 and Berkeley Software Distribution (BSD) 4.3. It is intended as a tutorial for those at all levels of experience in computing. One objective is to take the mystery out of the cryptic Unix command set.

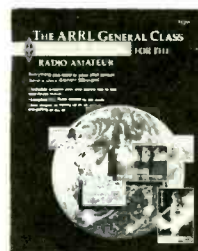


CIRCLE 343 ON FREE INFORMATION CARD

Felp's book discusses over 160 of the more popular Unix user commands. It also provides an overview of the Unix system and DOS-to-Unix and VMS-to-Unix command cross references. It is organized into sections which describes the command and its applications and explain typical usage.

The ARRL General Class License Manual for the Radio Amateur; edited by Larry D. Wolfgang, WR1B. The American Radio Relay League, 225 Main Street, Newington, CT 06111; Phone: 203-666-1541; Fax: 203-665-7531; \$12.

This manual offers clear explanations of the theory that is needed to pass the examination for the General Class License for the radio amateur. This latest



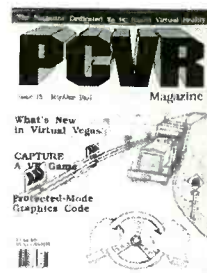
CIRCLE 344 ON FREE INFORMATION CARD

edition has been improved and expanded to make exam preparation easier and more enjoyable.

This edition contains the revised question pool, which was released by the Question Pool Committee for use beginning July 1, 1994. The answer key is printed next to the questions for easy reference. All the FCC rules needed with clear explanations of them are included. A new chapter, entitled "Setting Up Your HF Station," will help the reader get on the air once he or she has obtained the license.

PCVR Magazine. P. O. Box 475, Stoughton, WI 53589; Phone/Fax: 608-877-0909; \$4.50/issue, or \$26 for 1-year (6-issue) subscription.

The niche taken by PCVR (for personal computer-based, virtual reality) Magazine is showing non-professional computer enthusiasts how to experience virtual reality—at realistic prices—on their home computers. Each issue covers one theme, and provides beginner, intermediate, and expert articles on

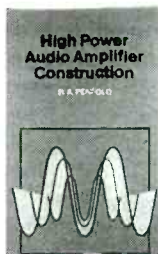


CIRCLE 345 ON FREE INFORMATION CARD

EN Engineering Admart

Rates: Ads are 2 1/4" x 2 7/8". One insertion \$995 each. Six insertions \$950 each. Twelve insertions \$925 each. Closing date same as regular rate card. Send order with remittance to Engineering Admart, Electronics Now Magazine, 500-B Bi-County Blvd., Farmingdale, NY 11735. Direct telephone inquiries to Arline Fishman, area code-1-516-293-3000. FAX 1-516-293-3115. Only 100% Engineering ads are accepted for this Admart.

HIGH POWER AUDIO AMPLIFIER CONSTRUCTION



BP277—Here's background and practical design information on high power audio amplifiers capable of 300 ± 400 watts r.m.s. You'll find MOSFET and bipolar output transistors in inverting and non-inverting circuits. To order your copy send \$6.25 plus \$2.50 for shipping in the U.S. to **Electronic Technology Today Inc., P.O. Box 240, Massapequa Park, NY 11762-0240.**

MIDI PROJECTS



BP182—MIDI interfacing enables any so equipped instruments, regardless of the manufacturer, to be easily connected together and used as a system with easy computer control of these music systems. Combine a computer and some MIDI instruments and you can have what is virtually a programmable orchestra. To order your copy send \$6.95 plus \$2.50 for shipping in the U.S. to **Electronic Technology Today Inc., P.O. Box 240, Massapequa Park, NY 11762-0240.**

Radiotelephone - Radiotelegraph FCC Commercial License

Why Take Chances?

Discover how easy it is to pass the exams. Study with the most current materials available. Our **Homestudy Guides, Audio, Video or FC "Q&A"** pools make it so fast, easy and inexpensive. No college or experience needed. The new commercial FCC exams have been revised, covering updated Aviation, Marine, Radar, Microwave, New Rules & Regs, Digital Circuitry & more. We feature the Popular "Complete Electronic Career Guide". 1000's of satisfied customers **Guarantee** to pass or money back.

Send for **FREE DETAILS** or call
WPT Publications
7015 N.E. 61st Ave Dept. 1C
Vancouver, WA 98561
1-800-800-7588

CIRCLE 105 ON FREE INFORMATION CARD

that subject. Columns and tutorials give background information for understanding virtual reality concepts.

The May/June 1994 issue covers virtual reality in amusement centers. It includes an overview article, a list of manufacturers of the equipment, and a construction article explaining how to build a virtual reality arcade system. Technical details of a system in a large casino/hotel are included.

Black Box Catalog: The Source for Connectivity. Black Box Corporation, P.O. Box 12800, Pittsburgh, PA 15241; Phone: 412-746-4400; Fax: 800-321-0746; \$5.

This is 200+ page, full-color catalog of the product line offered by Black Box Corp. The line includes connectors for networking and data communications as well as video/multi-media and CD-ROM systems. The company offers products for remote and lo-



CIRCLE 346 ON FREE INFORMATION CARD

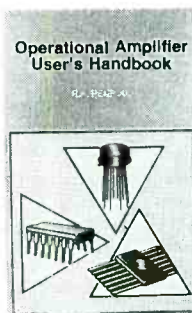
cal data transmission, LAN/WAN, Macintosh, and mobile/wireless.

The catalog includes references to test equipment, power-protection devices, switches, and printer devices. New products introduced include multiplexers, terminal servers, image and data scanners, and short-haul modems. Black Box says it is the only mail-order supplier of LAN, WAN, and data-communications equipment to earn ISO-9001 certification.

Operational Amplifier User's Handbook (order number BP335); by R. A. Penfold. **Electronic Technology Today Inc., P.O. Box 240, Mas-**

sapequa Park, NY 11762-0240; \$5.50 plus \$2.50 shipping and handling.

This book examines operational amplifiers and circuits based on them including integrators, precision rectifiers, function generators, and amplifiers. It discusses techniques for optimizing the performance of the latest integrated-circuit versions of these circuits.



CIRCLE 347 ON FREE INFORMATION CARD

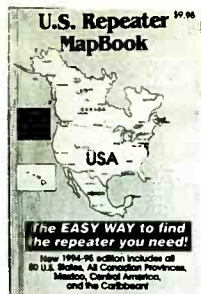
Penfold describes many practical circuits that are based on operational amplifier ICs. He has included schematics for build-it yourself projects including

a low-noise tape pre-amplifier, a low-noise RIAA preamplifier, and an audio power amplifier. Other projects include a DC power controller, an optoisolator audio link, a temperature monitor, and a low-distortion audio-signal generator.

U.S. Repeater MapBook, 1994-95 Edition; by Bob Martin, N7JXN. Artsci, Inc., P.O. Box 1848, Burbank, CA 91507; Phone: 818-843-4080; Fax: 818-846-2298; \$9.95.

This book will be the valued traveling companion for radio amateurs who like to travel with their gear. It will permit them to find friendly responses to their signals wherever they travel in North America (all 50 states and Canada) Mexico, Central America and the Caribbean. The maps will help them find their way.

This fourth edition has been updated and improved as a result of comments received from ama-



CIRCLE 348 ON FREE INFORMATION CARD

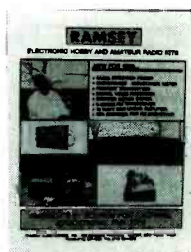
teur operators and frequency coordinators on the earlier editions. It now includes two full page maps for each state, showing repeater locations, off-sets, and PL tones. The repeaters listed include 10 meter, 2-meter, 220 MHz, 440 MHz, 900 MHz, and 1.2 GHz. Major roads and cities are shown.

Electronic Hobby and Amateur Radio Kits; from Ramsey Electronics, Inc.,

793 Canning Parkway, Victor, NY 14564; Phone: 716-924-4560; Fax: 716-924-4555; free.

This 1993 20-page catalog from Ramsey Electronics lists the company's hobby and amateur radio kits. Among those listed are kits for building a digital voice recorder, a capacitance-inductance meter, an SCA music adapter, a stepper-motor driver, and a fox-hunt transmitter.

Highlighted in the catalog is the DF-1 radio direction finder. Its digital filters



CIRCLE 349 ON FREE INFORMATION CARD

and synchronous detection circuitry make it easy to zero in on unknown transmitters. Each kit includes an instruction manual that is both educational and provocative. It is intended to encourage experimentation with the kits after they have been assembled.

Integrated Circuits Data Books. Burr-Brown Corporation, P. O. Box 11400, Tucson, AZ 85734; Phone: 1-800-548-6132; free.

These two data books on linear and data conversion products from Burr-Brown are worth taking a look at. The books include complete product descriptions, applications notes, performance graphs, specifications, and product ordering information.

The 1100-page linear products book includes



CIRCLE 350 ON FREE INFORMATION CARD

more than 30 new products including operational and instrumentation amplifiers, isolators, reference circuits, voltage regulators, and a product demonstration boards.

The 950-page data-conversion product book includes more than 25 new products including analog-to-digital and digital-to-analog converters, data-acquisition components, sample-and-hold amplifiers, voltage-to-frequency converters, multiplexers, and demonstration boards for many of these products.

NEXT MONTH IN **Electronics** NOW®

The November, 1994, issue packs projects and theory into its pages, along with standout columns and departments. Here's a peek at what's coming:

TEXT GRABBER

A little box finds the hidden captions in the vertical blanking interval of a TV signal and allows your PC to capture them.

CREATING CHAOS

An attention-grabbing, electronically-controlled device you can build demonstrates chaotic behavior.

PLL PRINCIPLES

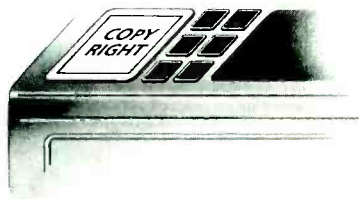
Working with the NE567 PLL Chip.

☆ Plus additional interesting articles that are informative and enjoyable.

**The November 1994 Issue is on Sale
OCTOBER 4, 1994**

Watch for it!

Pick Up *Electronics Now* at your favorite Newsstand, Convenience Store, Bookstore or Supermarket



The Most
**AN IMPORTANT PART
OF YOUR PHOTOCOPIER
ISN'T PART OF
YOUR PHOTOCOPIER**

Having a machine may not permit you to photocopy books, journals, newsletters and magazines.

The Copyright Clearance Center CAN.

Contact us to find out
how you too can COPY RIGHT!™

COPYRIGHT CLEARANCE CENTER

222 Rosewood Drive, Danvers, MA 01923 □ Tel. (508) 744-3350 □ Fax (508) 741-2318

© 1993 Copyright Clearance Center

MASTER THE BREAKTHROUGH TECHNOLOGY THAT'S CHANGED FOREVER THE WAY THE WORLD MAKES MUSIC

NRI's innovative course gives you everything you need to build your own computer-controlled music studio: a powerful 386sx/25 MHz IBM-compatible computer, 200 meg hard drive, Kawai X50-D professional-level synthesizer, Cakewalk MIDI sequencing software, Sound Galaxy NX Pro sound card, and MIDI interface that links your keyboard to your computer – all yours to train with and keep!

PREPARE FOR AN EXCITING, MULTIFACETED CAREER

In the booming music industry, what you can do with your NRI training is limited only by your imagination. You can work as a sound engineer, recording engineer, or road technician ... even start your own business selling and servicing today's MIDI-based systems. Or unleash your own musical creativity writing and composing music with the extraordinary digital instruments NRI provides.

OWN STATE-OF-THE-ART MUSIC SYNTHESIS

Build your own electronic music center with all this world equipment:

- Complete IBM-compatible 386sx/25 MHz computer featuring mini-tower design and powerful 200 meg hard drive
- High-end Kawai X50-D General MIDI synthesizer with touch-sensitive keyboard and effects with reverb and chorus built-in, one finger mixing
- Sound Galaxy NX Pro sound card with built-in MIDI interface and speaker to accommodate interactive multi-media applications



Complete lessons, top-notch equipment, hands-on projects – NRI training doesn't miss a beat!

GAIN EXPERTISE AND CONFIDENCE, STEP BY EASY STEP

Study at your own pace, with the committed support of NRI's instruction team just a letter or phone call away. You begin with detailed lessons that move from electronics fundamentals and music notation to sound generation routines, digital logic, microprocessors, and sampling and recording techniques. Then move on to get

first-hand experience with MIDI, waveshaping, patching, sequencing, mixing, special effects, and much more.

FIND OUT ABOUT NRI'S UNIQUE, GROUNDBREAKING TRAINING IN ELECTRONIC MUSIC TECHNOLOGY

NRI's free, full-color catalog has all the details – send for yours today! If the coupon is missing, write to: NRI Schools, McGraw-Hill Continuing Education Center, 4401 Connecticut Avenue, Washington, DC 20008

IBM is a registered trademark of the International Business Machines Corporation.

- Your own desktop recording studio -- the critically acclaimed Cakewalk 256-track MIDI sequencer software that helps you record, edit, and play back multiple tracks of music
- SoundSculptor software that visually demonstrates the operation of FM music synthesis
- Electronic components you use to build up live circuits, including sound generating ones

You discover how to use, program, and service this professional equipment through hands-on projects that make learning both fun and challenging – *regardless of your experience in electronics or music.*

SEND TODAY FOR FREE NRI CATALOG!

NRI Schools

McGraw-Hill Continuing Education Center
4401 Connecticut Avenue, Washington, DC 20008



Name _____ Age _____

Address _____

City _____

State _____ Zip _____

ACCREDITED MEMBER, NATIONAL HOME STUDY COUNCIL

10-1094

Check One FREE Catalog Only

Electronic Music Technology

Microcomputer Servicing

TV/Video/Audio Servicing

Computer-Aided Drafting

Basic Electronics

Multimedia Specialist

Computer Programming

Desktop Publishing & Design

Fiction/Nonfiction Writing

PC Applications Specialist

What Do These Prestigious Companies Have In Common?

Aerovox®

DC Film and RFI Suppression Capacitors, Aluminum Electrolytic and AC Oil Capacitors, EMI Filters

AMP

Electrical/Electronic Connectors, IC Sockets, PCB Switches

AMRAD Engineering, Inc.

Motor Run Capacitors, HID Lighting Capacitors, Power Factor Correction Capacitors



Miniature and Subminiature Coaxial Connectors and Cable Assemblies

AVX CORPORATION

MLC, Tantalum and Thin Film Capacitors, Resistors, Networks, Integrated Passive Components, Trimmers, Oscillators, Resonators, Filters, Piezo Devices, and Connectors

BERG ELECTRONICS

High Density and Industry Standard Connectors/Subsystems

CAROL
CAROL CABLE COMPANY, INC.

Electronic and Electrical Wire and Cable and Power Supply Cords

COLE FLEX

Tubing, Conduits, Hose, Sleeveings, Splices, Insulation and Cable Harness Products, Power Cords and Cordsets

Communications Instruments, Inc.

CII Midtex

Relays and Solenoids

COOPER

Bussmann

Fuses, Fuseholders, Fuse Blocks, and Fuse Accessories

CORNELL DUBILIER

Capacitors-Aluminum Electrolytics, Mica, AC Oil, Film, MICA Paper and Relays



Dale Electronics, Inc.

Resistors, Networks, Oscillators, Displays, Inductors, Thermistors, Connectors, & Transformers

DI DANTONIA INDUSTRIES, INC.

Batteries: Computer, Cordless Phone, Laptop, Scanner, Alarm and Medical
Antennas: Cordless Phone and Scanner

DEARBORN WIRE AND CABLE L.P.



EATON

Eaton Corporation, Commercial & Military Controls Operation

Switches, Relays, Displays and Keyboards



Quartz Crystals, Clock Oscillators, Surface Mount Products, Programmable Devices

A GERNSBACK PUBLICATION

Electronics Now Magazine

GUARDIAN

Relays and Solenoids

KEMET

Electronics Corporation

Multilayer Ceramic and Solid Tantalum Capacitors

KOA SPEER

Resistors, SMT Tantalum Capacitors Inductors, Resistor Networks, SMT Thermistors

MALLORY

North American Capacitor Company

Tantalums, Aluminums, Sonalerts® Ceramics, Films and AC's

M-tron

Quartz Crystal Hybrid Oscillators

muRata®

Fixed Ceramic Capacitors, Variable Capacitors and Resistors, Crystal Oscillators, Ceramic Filters, Resonators, EMI Filters, Hybrid Circuits and more.

Panasonic Industrial Company

Resistors, Resistor Networks, Ceramic, Film, Electrolytic, Double Layer Capacitors, Potentiometers, Switches, Inductors, Filters, Resonators, Varistors, Thermistors

Philips Components

Philips Electronics North America Corporation

Resistors, Ferrite Components
Aluminum Electrolytic, Film & Ceramic Capacitors

They sell through distributors.

They belong to the E.I.A.

They belong on your vendor list.

Quam

Loudspeakers and Commercial Sound Products

ROHM

Rohm Electronics Division

Resistors, Ceramic Capacitors, Transistors/Diodes, Opto Components and IC's

SELECTA
Electronics of Electronic Products

Switches, Relays, Terminals, Indicator/Pilot Lights, LED Indicators, Test Clips, Test Leads, Cable Ties and Heat Shrinkable Tubing

A COMPANY OF SPRAGUE

Tantalum Capacitors, Wet & Foil Capacitors, Resistor Networks, Resistor Capacitor Networks, Filters

Switchcraft
A Raytheon Company

Switches, Connectors, Jacks, Plugs, Jackfields & Audio Accessories, Cable Assemblies

Leadership in electronics is not just a matter of designing products better and manufacturing them better, but also of marketing them better. And the sponsors of this message understand that better service to customers requires effectively involving distributors as part of their marketing teams.

Distributor involvement means lower prices, quicker deliveries, better service over-all. The Buyer wins...the Seller wins.

Distributors help achieve marketing leadership. So does the manufacturer's involvement in the Components Group of the Electronic Industries Association. EIA fosters better industry relations, coherent industry standards, and the sharing of ideas, which helps one another and serves customers better.

In choosing your component supplier, look for the marks of leadership--

- availability through distribution
- membership in E.I.A.



Our 70th Anniversary Year

Electronic Industries Association/Components Group
2001 Pennsylvania Avenue, N.W.,
11th Floor
Washington, D.C. 20006
Phone: (202) 457-4930
Fax: (202) 457-4985

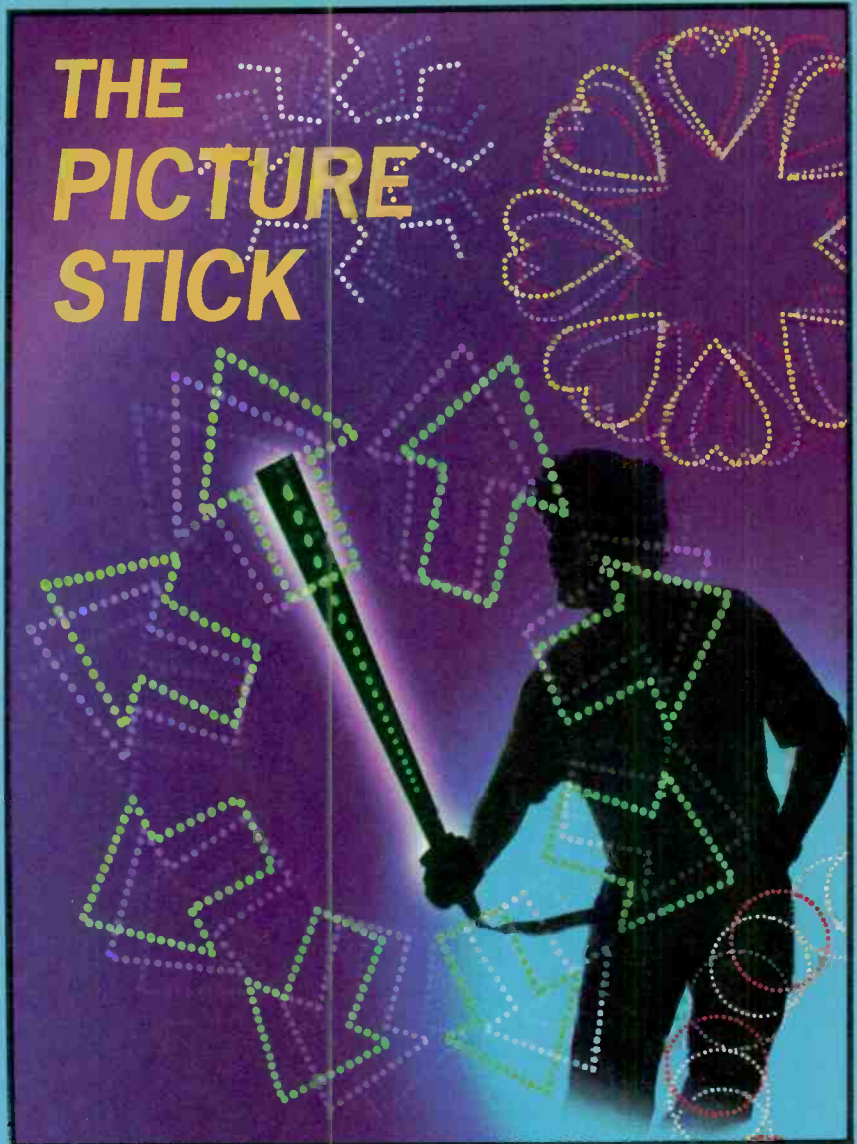
Committed to the competitiveness of the American electronics producer.

SCOTT EDWARDS

ON A MILD SUMMER EVENING, YOU walk to the top of a small rise overlooking the park. In your left hand you carry a small circuit board and a battery pack and in your right hand you carry a wooden yardstick studded with LEDs. The two parts are connected by a short length of cable.

You connect the batteries to the circuit and the yardstick begins to glow with a flickering green light. People in the park below notice you now, and turn to watch. You wave the stick over your head and the flickering magically changes into images: stars, circles, diamonds. You watch the faces of the people below register amazement, delight, and curiosity. They come closer, smile and ask the question "How did you do that?"

You did it by building the Picture Stick, a project whose parts cost \$35. It combines ICs and 16 LEDs, a yardstick, batteries, wire, and duct tape into a unique demonstrator of the visual principles underlying movies, television, and computer displays. Components pre-programmed with 15 images are available, but if you're creative, you can program your own images with a personal computer and free software.



Build the Picture Stick and light up the night with computer-generated graphics.

How it works

The Picture Stick consists of two major components: the control electronics and the "wand." The wand is just a wooden yardstick with 16 green LEDs spaced at 1-inch intervals near one end. The LEDs are wired to a ribbon cable that connects them to the controller. The controller turns on the LEDs at 2.3-millisecond intervals, in accordance with one of a series of patterns stored in memory. It leaves the LED pattern on for 600 microseconds,

turns the LEDs off, waits another 2.3 milliseconds, loads the next pattern, and repeats the process.

As Fig. 1 shows, the individual LED patterns are pieces of a larger picture. Since the human eye briefly retains the images it sees because of an effect known as persistence of vision, the viewer's eye assembles the sequence of LED patterns into a composite image. Persistence of vision makes it possible for us to see movies and television as seamless, lifelike moving pic-

tures. It also lets electronic circuit designers use fewer components to drive an LED display—only one digit of the display is on at any given instant, but the digits are scanned so rapidly that the eye sees them as a single, stable image. The Picture Stick takes that one step further, eliminating the additional displays in favor of a single moving column of LEDs.

Hardware

The controller, shown schematically in Fig. 2, has two

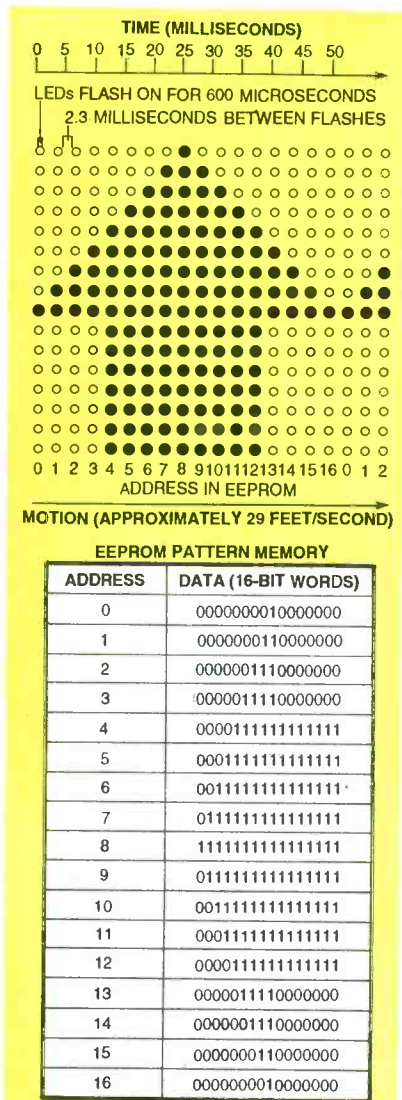


FIG. 1—INDIVIDUAL LED PATTERNS are pieces of a larger picture.

modes: display and download. Assume that there is a series of images stored in IC1 as the display function is described here.

The PIC16C55 microcontroller (IC2) is a self-contained computer with onboard read-only memory (ROM) for permanent program storage and random-access memory (RAM) for storing temporary variables. The chip also includes logic for addition, subtraction, and decision operations. Program control operators allow the programmer to create and call subroutines, or change the order of program execution. The microcontroller in the wand controller has ROM for 512 instruction steps, 24 bytes of general-purpose RAM, and 20

input/output pins.

The wand program is written in assembly language, and is available from the *Electronics Now BBS* (516-293-2283, V.32, V.42bis) as part of the file WAND.ZIP. A programmer for PIC16C5X devices was described in the January 1994 issue of *Electronics Now*. Commercial programmers are also available.

The PIC has three sets of input/output pins: ports RA, RB, and RC. Through RA, the PIC retrieves pattern data from storage in EEPROM IC1 in 16-bit words. The PIC writes these patterns to ports RB and RC. Each of those output ports is connected to a ULN2803

Darlington inverter/driver (IC3 and IC4).

When a pin of port RB or RC outputs a logic 1 (+5 volts) to the connected driver, the driver grounds the cathode (negative end) of the corresponding LED. Since all of the LED anodes are wired to the positive supply, this lights the LED. Resistors R6 through R21 limit the maximum current through the LEDs to about 64 milliamperes. The LED current is calculated by the supply voltage, minus the LED's forward voltage drop, plus the driver's voltage drop, divided by the series resistance calculated as: $(6 - (2 + 1))/47 = 63.8$ milliamperes.

The PIC lights the LEDs

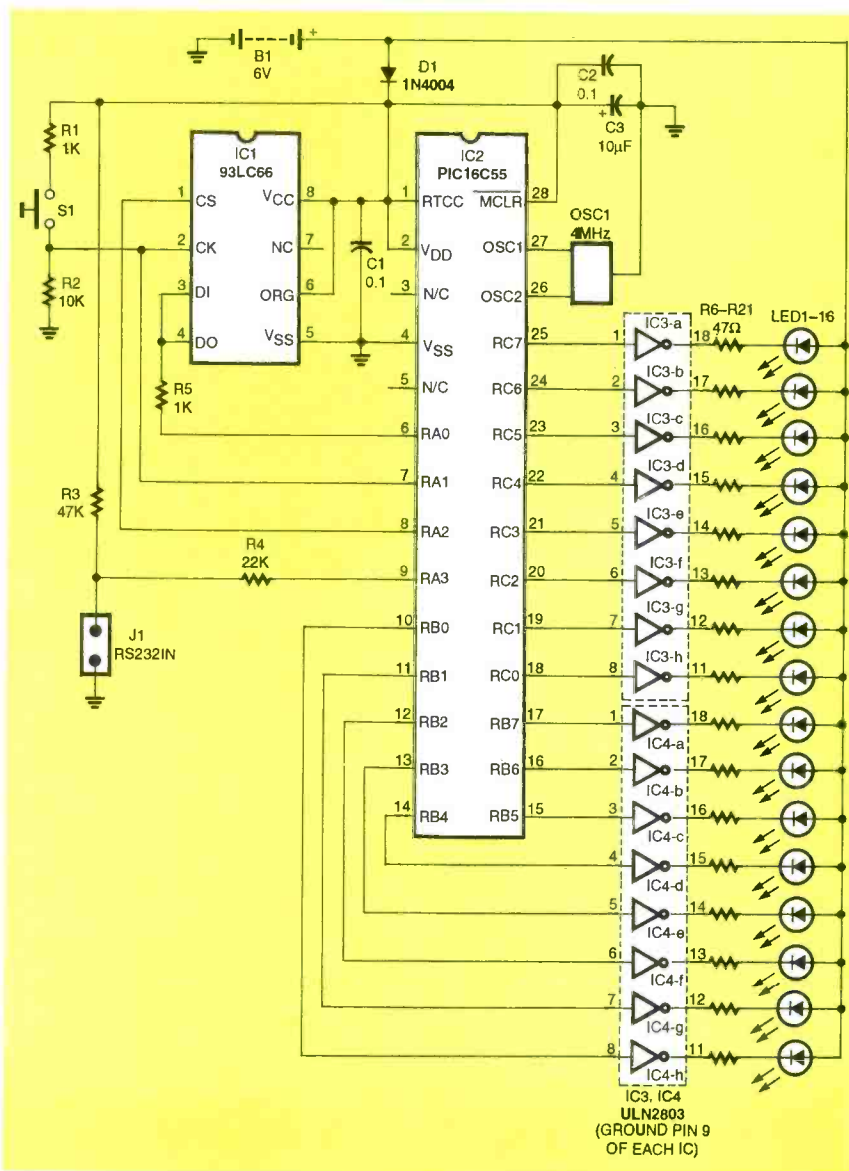


FIG. 2—THE CONTROLLER HAS TWO MODES: display and download.

based on the 16 bits of data it retrieves from IC1, then turns all LEDs off 600 microseconds later. It then waits 2.3 milliseconds, loads another 16 bits, and flashes the LEDs again. It repeats this process—cycling through 17 addresses of 16 bits each—to create the basic 16-row by 17-column image.

Periodically the PIC checks pin RA1, which is connected to pushbutton switch S1. When S1 is open, RA1 sees a logic 0 because resistor R2 pulls it to ground. When S1 is closed, RA1 sees the voltage divider formed by R1 and R2. Assuming that the positive supply is 5 volts, the voltage drop across R1 becomes $5(R1/(R1 + R2)) = 5(1000/11,000) = 0.45$ volts. Therefore, RA1 sees 4.55 volts (5 volts minus 0.45 volts, which is a logic 1).

When the program detects this high (the logic 1), it adds an offset of 17 to the addresses it is cycling through. This causes it to retrieve the next image that is stored in IC1 and display it.

The microcontroller can hold up to 256 16-bit words, but the patterns occupy only 15 pictures \times 17 words/picture = 255 words of memory. The leftover memory location isn't wasted; it holds a value that controls the highest frame number to display. Therefore, if you have programmed only 5 of the maximum 15 pictures, you can avoid cycling through the blanks.

In the preceding description, the role of IC1, the serial electrically erasable/programmable ROM (EEPROM) was neglected. As in normal ROMs and erasable/programmable ROMs (EPROMs), EEPROMs retain their data when unpowered. Unlike ROMs and EPROMs, EEPROMs can be written to or erased while in an operating circuit. Therefore, the PIC can update the data in the EEPROM.

When power is first applied to the wand, the PIC determines whether the wand should switch to its standard operating mode or its download mode. If the serial port is not connected to a PC, the PIC sees a logic 1 on pin RA3, which is connected to

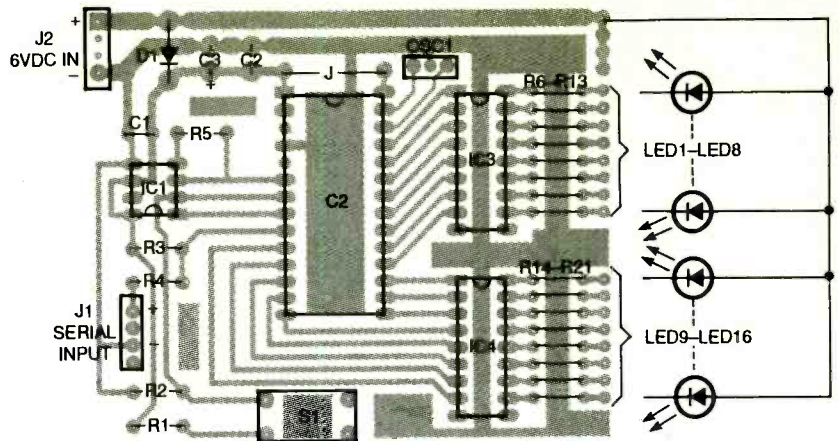
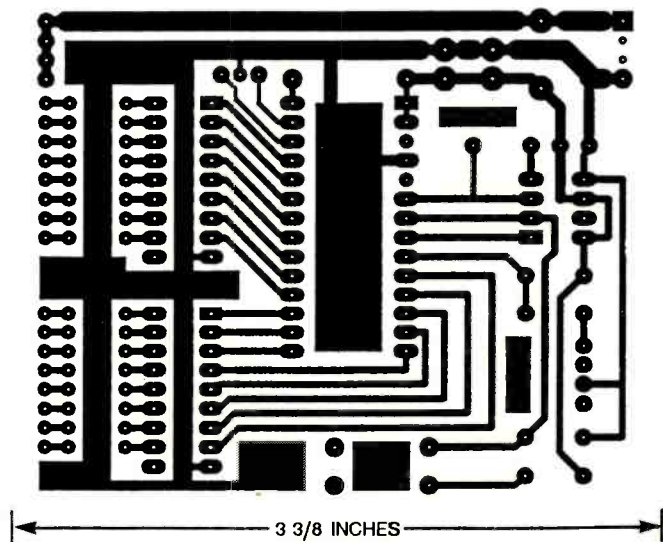


FIG. 3—PARTS-PLACEMENT DIAGRAM. Install sockets for IC1 and IC2, but don't insert the ICs into the sockets until tests are complete.



FOIL PATTERN for the Picture Stick.

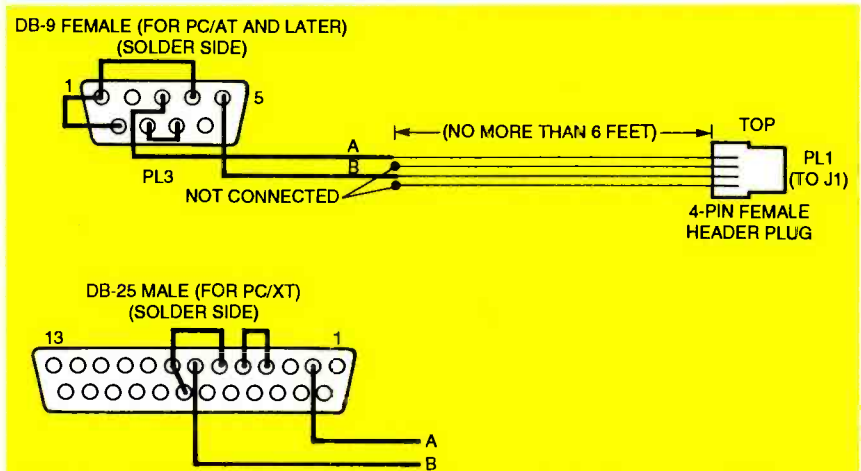


FIG. 4—SERIAL DOWNLOADING CABLE. Install a DB-25 male connector on one end of this assembly and a 4-pin female header plug on the other end.

the positive power rail through resistors R3 and R4. However, when the serial port is connected, its resting voltage of

– 10 volts is impressed on the junction of R3 and R4. Pin RA3 sees that voltage as a logic 0. So, upon startup, the PIC executes

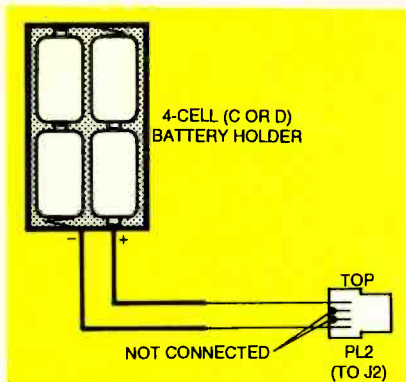


FIG. 5—BATTERY HOLDER WIRING. DC power is connected to the PC board at J2.

the display program if RA3 is 1, and the download program if RA3 is 0.

Once in the download mode, the PIC handles two types of serial communication: synchronous and asynchronous. Communication with the EEPROM takes place over a synchronous or "clocked" serial connection, while the PC serial port is an asynchronous or "unclocked" connection. The basic difference between the two is that synchronous communication requires at least two signals, data and clock, while asynchronous communication requires only a data signal.

Synchronous connections operate on a simple principle: A data bit is valid only at an instant in time defined by some feature of the clock signal. The rest of the time, the receiver can ignore the data signal. In the case of the EEPROM, the data line is valid only on the rising edge of the clock signal; that is, when the clock line is changing from a logic 0 to a 1. (The EEPROM also has a chip select (CS) line. When this line is 0, the EEPROM effectively disconnects itself from the circuit. (This is a standard feature of devices that are intended to share a bus, not a part of synchronous communication.)

Synchronous communication has three virtues: First, it can be implemented with simple edge-triggered flip-flops. Second, it is independent of time. Bits can arrive at intervals of a microsecond or a week; only the state of the clock line determines when a bit is valid. Third,

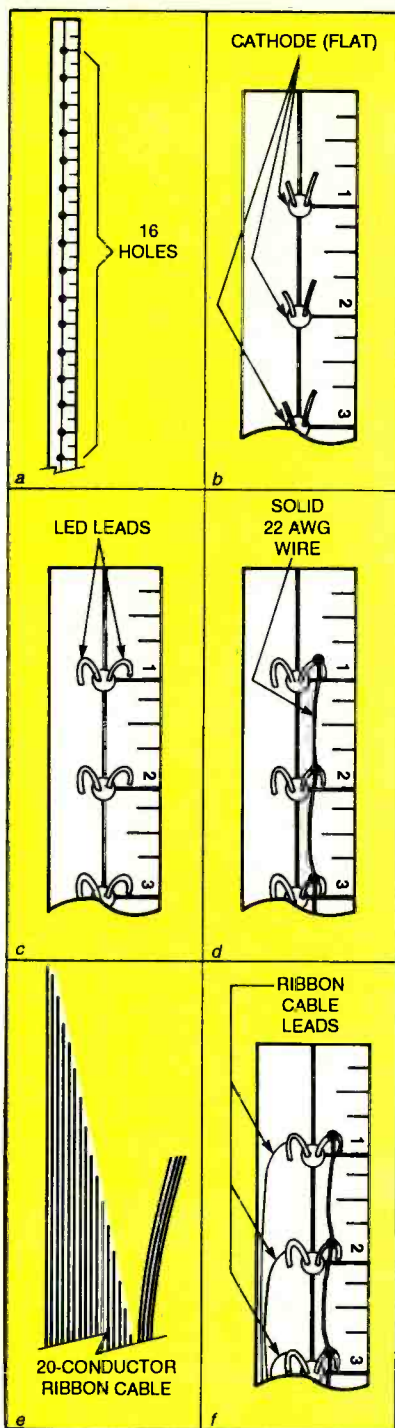


FIG. 6—HOW TO MAKE THE WAND. Drill 16 holes for the LEDs down the center of a wooden yardstick starting at the 1-inch mark (see text).

it does not require the additional start and stop bits associated with asynchronous communication (described below).

The primary disadvantage of synchronous communication is the need for a clock signal. In many cases, such as in this EEPROM, it just means one ex-

tra connection on the circuit board. But imagine a synchronous version of the standard telephone modem. It would require two phone lines, one for data and one for the clock signal.

Asynchronous connections work on a more complex principle: After receiving a start bit, the receiver expects a fixed number of data bits at fixed intervals of time, followed by a stop bit that is opposite in polarity to the start bit. The use of start and stop bits makes an asynchronous link less prone to timing errors. Look at it this way: at 1200 bits per second, a bit occupies an 833-microsecond slice of time. With start and stop bits, the sender and receiver can have a combined error of ± 416 microseconds (half a bit) over the time required for 10 bits (8.33 milliseconds). That's a total permissible timing error of 5%; 2.5% for the

PARTS LIST

All resistors are 1/4-watt, 5%, unless otherwise indicated.

R1, R5—1000 ohms

R2—10,000 ohms

R3—47,000 ohms

R4—22,000 ohms

R6—R21—47 ohms (alternately, you can use two 16-pin, 47-ohm DIP resistor networks)

Capacitors

C1, C2—0.1 μ F, 50 volts, ceramic disk or monolithic

C3—10 μ F, 16 volts, electrolytic

Semiconductors

IC1—93LC66 512-byte serial EEPROM (Microchip—do not use the same part from a different manufacturer)

IC2—PIC16C55 microcontroller, programmed with wand firmware (Microchip)

IC3, IC4—ULN2803A Darlington inverter/driver

OSC1—PX400 4-MHz ceramic resonator with integral capacitors (Panasonic)

D1—1N4004 diode

LED1—LED16—T 1 1/4 LEDs (the color choice is yours)

Other components

S1—Momentary-contact pushbutton switch (Digi-Key P8034S mounts directly to circuit board)

J1, J2—4-pin single-row male header

sender and 2.5% for the receiver. An alarm clock with that accuracy could be off by almost an hour a day!

Without start and stop bits, timing would become increasingly critical with increases in message length. Ultimately, even the most precise timing devices known would be unable to maintain synchronization.

Now that you know how these two forms of communication work, understanding the download process is easy. The PIC is programmed to receive data at 1200 bits per second (bps). At startup, if the PIC detects a serial port connection, it waits for a start bit. When one arrives, the PIC waits $1\frac{1}{2}$ bit times ($1.5 \times \frac{1}{1200} = 1.25$ milliseconds) to receive the first data bit. By waiting until the middle of the first data bit, it gains a little extra safeguard against timing errors. After the first bit, it re-

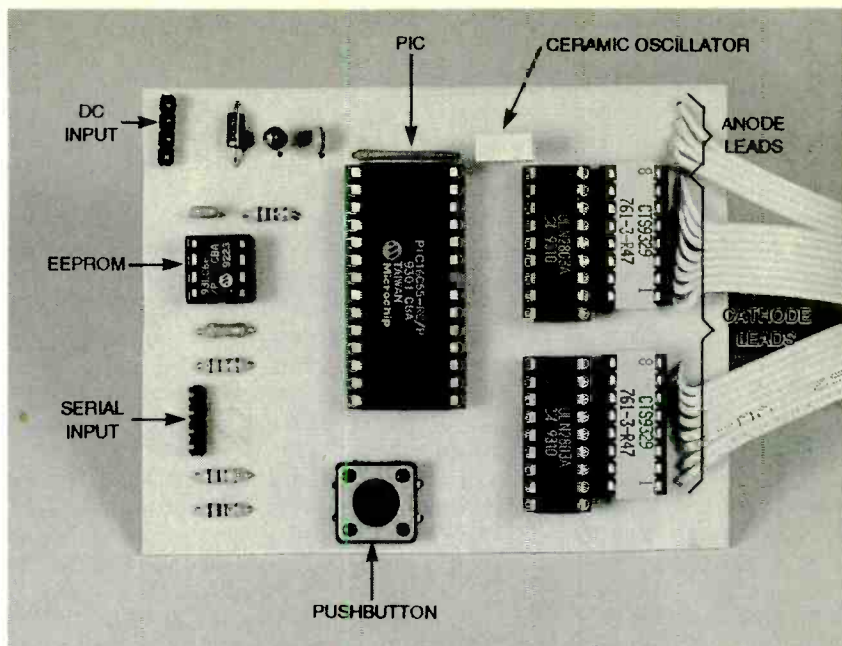


FIG. 7—COMPLETED PC BOARD. The board can be installed in a case of left as-is.

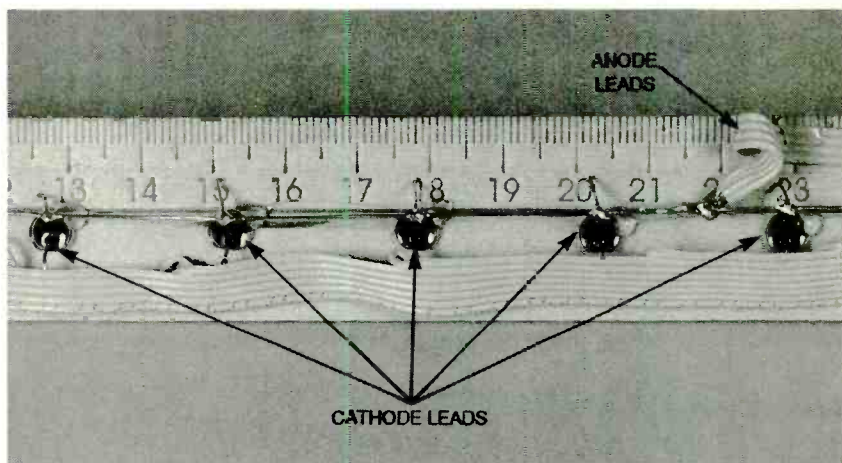


FIG. 8—A WOODEN YARDSTICK forms the body of the wand.

PL1, PL2—4-contact IDC female header plug

PL3—Female DB-9 connector (PC/ATs and later) or male DB-25 (PC-XTs)

Miscellaneous: Battery holder (4 C- or D-cells), PC board, one 8-pin IC socket, one 28-pin IC socket, 9 feet of 20-conductor ribbon cable, solder, hookup wire, inexpensive wooden yardstick, duct tape.

Note: The following items are available from Scott Edwards, 964 Cactus Wren Lane, Sierra Vista, AZ 85635:

- Pre-programmed PIC16C55 microcontroller (IC2) and ceramic oscillator (OSC1)—\$20
- 93LC66 EEPROM with preloaded images (IC1)—\$7
- 3½-inch PC compatible disk with the downloading software (5¼-inch disks not available)—\$7
- A kit consisting of IC1-IC4, OSC1, the disk, and a PC board—\$42

All prices are postpaid; check or money order only.

- Tools for programming PIC microcontrollers are available from Parallax Inc, 3805 Atherton Road, Rocklin, CA, 916-624-8333.

ceives the remaining seven data bits at 1-bit-time intervals (833 microseconds).

During the stop bit that follows each byte, the PIC stores the received data in its own RAM. Every second byte, it synchronously writes a 16-bit word consisting of the last two received bytes to the EEPROM. Because the synchronous connection with the EEPROM is very fast, the PIC can send all 16 bits (plus 3 bits of instruction code and an 8-bit address) in less than the time required for the stop bit. As a visual check of the progress of a download, the PIC also writes the 16 bits of data to ports RB and RC, causing the LEDs to flash in the pat-

terns of the incoming data.

When the PIC has received 512 bytes of data from the PC and stored them as 256 16-bit words in the EEPROM, it stops "listening" to the serial port and switches to the display mode.

The operation of the major components of the wand have been explained, but what about the "bit players?" Diode D1 has a small but important role: its forward voltage drop of approximately 0.7 volts reduces the 6 volts from the battery pack to around 5.3 volts to supply the PIC and EEPROM. Since these devices will operate from voltages ranging from 4.5 to 5.5 volts, a well-regulated supply isn't required.

The rapid switching of the LEDs and the lack of voltage regulation subject the ICs to noise on the power-supply rails. Capacitors C1, C2, and C3 filter this noise.

Finally, OSC1, a ceramic resonator, sets IC2's internal clock to 4 MHz. Since IC2 executes an instruction every fourth clock cycle, in this circuit it executes 1 million instructions per second. Ceramic resonators are similar to crystal resonators, but they are generally cheaper, less fragile, and less accurate. The unit specified here is accurate to better than 1%, which is good enough to receive 1200-bps serial data reliably.

Construction

Begin by obtaining the components in the Parts List. Be sure that IC1 is a 93LC66 manufactured by Microchip Inc. There are subtle differences in other manufacturers' parts with the same part number that make them unusable in this circuit. If you have the necessary programming hardware, you can program the PIC yourself. The program source code (written in Parallax format) is available from the *Electronics Now BBS* (516-293-2283, V.32, V.42bis) as part of the file WAND.ZIP. The downloading programs, as .EXE files and in QBASIC format, are also part of the ZIP file.

You can substitute practically any standard, inexpensive LEDs for the green ones used in the prototype. Since LEDs are commodity items these days, you should briefly connect a sample LED to 6 volts DC through a 47-ohm resistor. If it is initially bright, then seems to fade, it is probably overheating. Disconnect the power immediately, and either substitute a higher value resistor (found by experimentation) or a different LED.

After you have obtained the parts, you can either make a printed circuit board from the foil pattern provided, purchase one from the source given in the Parts List, or point-to-point wire the circuit on perforated construction board. The LEDs

on the wand section must be hand-wired, so hand wiring the rest of the circuitry shouldn't be a problem.

If you use a PC board, mount the components as shown in Fig. 3. The order of installation isn't critical. Use sockets for IC1 and IC2. Don't forget to install the single jumper wire near the top end of IC2. Leave IC1 and IC2 out of their sockets on the controller board for the time being. Install them during the checkout and final assembly steps given below.

Figure 4 shows how to assemble the serial downloading cable. This allows you to transfer new light patterns to the Picture Stick from your PC. A DB-25 male connector is attached to one end of this assembly, and a 4-pin female header plug is attached to the other end (two pins of this plug are not used). The plug connects to the 4-pin header (J1) on the circuit board. Instructions for wiring the battery holder are given in Fig. 5.

Figure 6 shows how to make the wand. Start by drilling 16 $\frac{13}{64}$ - or $\frac{1}{4}$ -inch holes down the center of a wooden yardstick, starting at the 1-inch mark, and ending at the 16-inch mark (Fig. 6-a). Push each LED into each hole with its cathode (the flat side of the reflector) facing one side of the stick (b). Trim the leads to a length of approximately $\frac{3}{8}$ -inch and bend them into a "U" shape, and push the ends into the wood (c). Connect all of the anodes together by soldering them to a piece of solid 22 AWG wire (d). Next, starting at the colored stripe, separate the first 16 conductors of a piece of 20-conductor ribbon cable to a length of about 2 feet (e). (The last four conductors remain attached, and the stripped ends are twisted together at the yardstick end to form one heavier gage wire for the return current.)

Leave the colored wire full-length, and trim each successive lead 1 inch shorter than the previous one. Trim about 8 inches off the four wires that remain connected together. Strip and tin the ends of all 20 wires. Solder the staggered

ends of the ribbon cable to the cathodes of each LED. The colored wire goes to the LED at the end of the yardstick (LED16 at the 1-inch mark), and each successively shorter lead goes to the cathode of the next LED. Solder all four of the remaining wires to the middle of the wire that connects the anodes of the LEDs. Secure the ribbon cable to the yardstick with duct tape, nylon wire ties, or other suitable fasteners.

Now solder the stripped wires at the other end of the ribbon cable to the PC board. Start by soldering the colored wire (it goes to LED16) to the pad that connects to R21 (it's the pad on the lower-right side of the board). Solder the remaining wires to the pads in order, working toward the top of the board. Four pads are provided for the four wires that are to be soldered together at the wand end. Figure 7 shows the completed PC board, and Fig. 8 shows a section of the wand.

Checkout

With both IC1 and IC2 out of their sockets, connect the batteries to the power input. Strip both ends of a short length of solid hookup wire, and insert one end into pin 1 of IC2's 28-pin socket. Touch the other end of the wire to pin 10 of the same socket to determine if LED16 (the one at the end of the wand) lights. Move the pin-10 end of the wire to pins 11 through 25. The LEDs should light up in sequence. If any of the LEDs fails to light, recheck your work and correct any errors.

After you have confirmed that all LEDs work, disconnect the power from the circuit and install IC2 (the 28-pin PIC). Leave IC1 out of its socket for now. Reapply power to the circuit. The LEDs should light up. Dim the lights and wave the wand around carefully. The LEDs should appear as a ribbon of dots. If the LEDs don't light, or if there are breaks in the dot pattern, bridge pins 8 and 4 of IC1's socket and try again. If this doesn't correct the problem, remove the power from the circuit and recheck your wiring. Once

you have the test pattern working properly, bridge pins 4 and 5 of IC1's socket. Now the LEDs should all be off.

Disconnect power and install IC1 in its socket. If IC1 is purchased pre-programmed (from the source in the Parts List), you can power up the wand and check out the preprogrammed images. If not, you must download some images, as described further on.

To observe the pre-programmed images, take the wand, controller, and batteries to a place you can dim the lights and swing the wand around without danger of damaging property or hurting anyone. Apply power to the controller and swing the wand back-and-forth. If the image appears compressed horizontally, swing the wand a little faster. To change images, press and release S1. To switch rapidly, hold S1 down. If you are demonstrating the wand to someone else, you will find that you can monitor the images from the back of the controller (some light from the LEDs can be seen from the back).

The batteries and controller are kept separate to keep the wand as lightweight as possible for safety reasons. Use common sense; carelessly swinging the wand around in the dark could hurt someone. Supervise children using the wand. (No sword fights! No running!)

Downloading images

To download images to the controller, you'll need the software from the source given in the Parts List or from the *Electronics Now BBS*. The program comes in two flavors: One is graphical and allows you to edit, save, and download pictures simply and easily. The other is a bare-bones downloading program that requires that you calculate the data manually and enter it into a text file. The graphical version requires a VGA monitor; the manual version works in a pure text mode, and it has no special requirements.

Downloading is simple, but it requires a specific sequence. Remove power from the control-

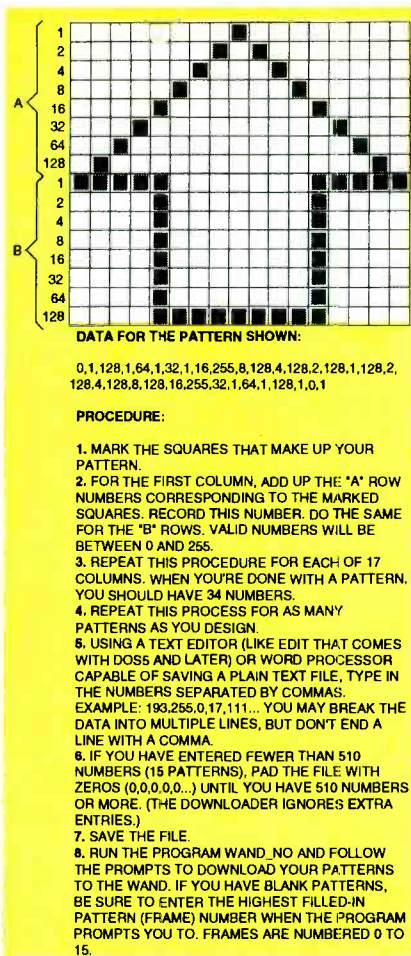


FIG. 9—TO PREPARE DATA for the manual downloader, work out your patterns on graph paper, calculate the corresponding numeric values, and enter them into a text file.

ler. Connect the download cable to the COM1 port on your computer with the computer off. Then turn the computer on. Connect PL1 to the J1 header on the controller board.

Boot the downloading software (WAND for those with VGA monitors; WAND—NO for those without) and load the included image file SAMPLE.WND. Now apply power to the controller. The LEDs should remain dark. Follow the on-screen instructions to perform a download. The LEDs will flash brightly; they are displaying each incoming pair of data bytes. Downloading takes a little more than 4 seconds; after that, the wand will be active in its normal display mode. Remove power from the wand and remove the downloading connector. The images are now programmed into non-

volatile EEPROM storage. Whenever you power up the wand from now on, you'll see the downloaded images.

When the controller is working properly, finish the assembly for a neat appearance. The wand can be encapsulated in clear acrylic plastic or covered with a large-diameter length of clear heat-shrink tubing. You can also leave everything as-is.

Designing your own images is fun and creatively satisfying. It's a great project for kids. If you have a VGA monitor, make use of the graphical editor (WAND). Move a cursor around a grid of dots with the keypad arrow keys, and toggle individual dots on and off with the spacebar.

Preparing data for the manual downloader (WAND—NO) is more complicated, but educational. Work out your patterns on graph paper, calculate the numeric values, and enter them into a text file. The process is shown in Fig. 9.

You may have noticed that all of the sample images are symmetrical left to right; stars, circles, arrows, etc. That allows you to swing the wand left-to-right and right-to-left and get the same image.

If you choose to create asymmetrical pictures, you must use a different technique to display them. Swing the wand rapidly in one direction, then slowly return it to the starting point. This will prevent viewers from seeing a reversed afterimage of your picture. Remember, you are the mechanical part of the display. If you find this inconvenient, you could modify the wand as follows: Wire a normally closed pushbutton between the controller and the LED anodes. Be sure the switch you select can handle current pulses of nearly 1½ amperes. With this switch in line, you can swing the wand to display your images, and press the button to blank the display while you prepare for another swing.

Another possible modification would be to make a continuous display of the wand's images by mounting the LEDs on a large rotating wheel, or by building a pendulum. □

Couple a function generator to an oscilloscope to form a versatile instrumentation set for testing systems and components.

ROBERT KRAL

FUN WITH FUNCTION GENERATORS

THE FUNCTION GENERATOR IS A versatile test instrument that usually functions as a signal substitution source. This article explains how the function generator, when coupled to an oscilloscope, becomes an even more versatile instrumentation set for testing and evaluating systems and components.

The function generator is an instrument that permits the introduction of its signals at specific points in a circuit. This characteristic makes it useful as an audio generator for testing, troubleshooting, and evaluating audio products as well as conventional electronic circuit components.

The oscilloscope paints the "signatures" of electronic components on its screen and a digital multimeter (DMM) makes the routine electrical measurements necessary to perform the tests discussed in this article. In addition to its role in testing, this instrument suit is very effective teaching tool for ex-

plaining the behavior of both active and passive components to students.

What do you need?

To perform the tests and demonstrations described in this article, the function generator, oscilloscope and DMM should have the following minimum specifications:

- Function generator—2-MHz internal sweep
- Oscilloscope—two-channel, 20-MHz with X-Y operation
- Digital multimeter—capable of making the basic electrical measurements with a basic DC accuracy of at least 1.0 %

Manufacturers of function generators position the controls and connecting plugs in different ways on the instruments that are designed to fill various market segments. Therefore, there really are no standard signal generators. If your function generator differs from the one shown in Fig. 1, you might want to consult your manual to re-

view the functions of all of its controls.

Fortunately, most signal generators have the same basic controls and input terminals that can be interconnected in the same way. The leading signal generator specifications are: frequency range, sinewave distortion, types of waveforms generated, sweep range, and signal output level.

Selecting a function generator

If you do not own or have access to a signal generator, there are some points to consider when selecting one. Most stock function generators have a frequency bandwidth that extends from a fraction of a hertz to 10 MHz or higher. Most can produce sine, square, and triangle waves. On many instruments, variable symmetry control, also called duty cycle adjustment, allows squarewave pulses to be narrowed to simulate clock pulses.

Amplitude or frequency mod-

ulation and internal linear or logarithmic sweep are available on some instruments. Separate TTL or CMOS pulse outputs might be available, providing exact preset voltage levels required for a specific logic family. Some function generators contain a frequency counter that will give a direct readout of output frequency.

The tests described in this article can be performed on a basic economy model function generator suitable for most electronic hobbyists and most routine electronics maintenance and circuit design. None of the tests described here require a bandwidth in excess of 2 MHz because they are limited to the audio range.

The sinewave distortion specification even for a basic function generator should be less than 1%, and its output should be variable, up to 20 volts peak-to-peak into an open circuit. A built-in counter is desirable feature but is not required for setting the output frequency. An internal linear or log sweep will be needed for making audio measurements. Instruments that meet these requirements typically sell in the \$300 to \$400 range.

Frequency-response

A function generator is not a constant voltage source. It typically has an output impedance of 50 ohms. Consequently, if you want to test a low-impedance component such as a speaker connected to the generator, the output of the function generator will vary with the impedance of the load.

To correct this condition, either add a series resistor or set up the function generator to drive an audio amplifier which, in turn, will feed the speaker. The low output impedance of the audio amplifier makes the function generator a constant voltage source.

Set up your instruments as shown in Fig 2. Select X-Y operation on your oscilloscope. Temporarily connect the function generator's output directly to the oscilloscope's vertical Y-axis input (typically channel 1). Con-

nect the generator control voltage (GCV) output to the oscilloscope's horizontal X-axis input (typically channel 2).

Select DC coupling on both input channels. Display only Channel 1. While the sweep is disabled, adjust the function generator to the desired maximum (ending) sweep frequency. A vertical line should appear on the screen. Adjust the oscilloscope's channel 1 position and voltage controls so that the line is centered vertically and is positioned to the far right, horizontally.

Adjust the amplitude controls so that the trace nearly fills the screen vertically. Then set the function generator's frequency lower. The vertical line should move to the left. Tape a piece of paper to the CRT screen and mark the position of the vertical trace at the various frequencies that you will use in your tests.

Tune the function generator back to the end (maximum) sweep frequency. Engage the sweep width adjustment, and set it for the maximum. Adjust the sweep width and frequency controls to obtain the desired

start and stop frequencies. The generator will now sweep between these two frequencies.

Now connect the component to be tested. It could be an amplifier, passive or active filter, loudspeaker, or microphone. Adjust the controls as needed so that the oscilloscope display looks like that shown in Fig. 3.

Impedance measurements

Figure 4 shows the setup for making impedance measurements on speakers and passive filters. Connect the GCV output of the function generator to the oscilloscope's X-input. With the oscilloscope in the X-Y mode, the oscilloscope's Y-input is the voltage across the speaker.

With the function generator out of the sweep mode, connect a 2-kilohm resistor in series with the function generator's output. Position the waveform near the center of the oscilloscope screen, and adjust its amplitude.

Adjust the output frequency of the generator until the vertical line reaches its maximum length. This is the speaker's resonant frequency. You can sub-

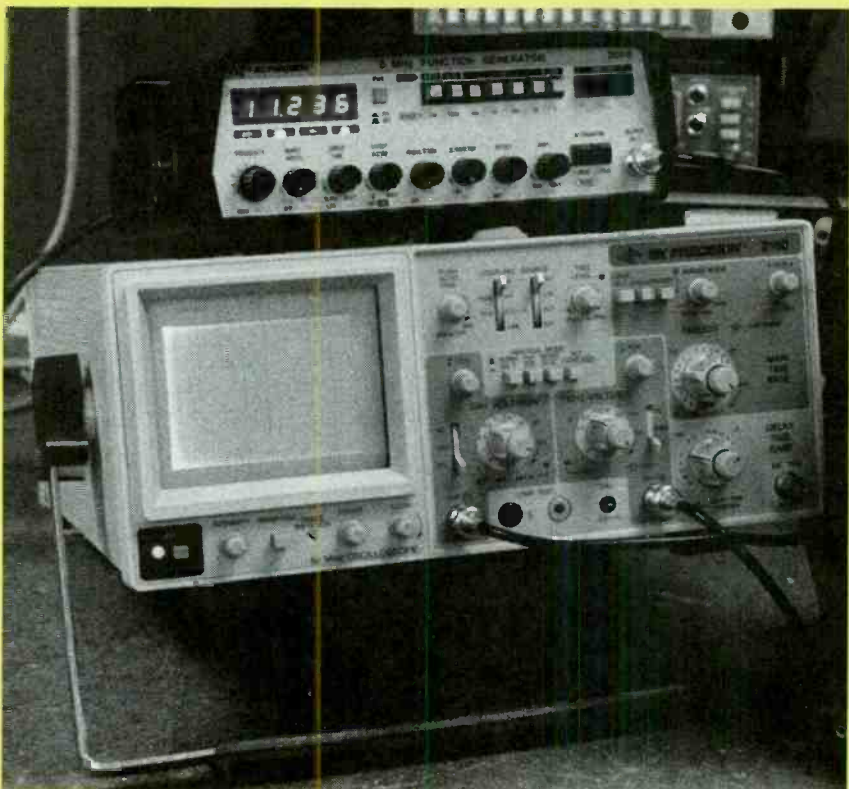
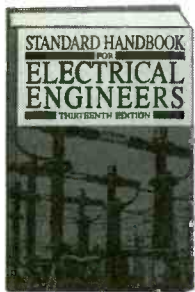


FIG. 1—A FUNCTION GENERATOR/OSCILLOSCOPE SETUP suitable for making the tests described in this article.

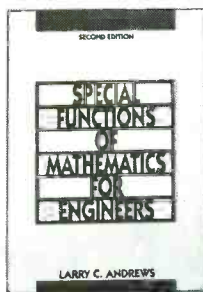
Get 3 Books for only \$9⁹⁵

Values to \$177.75

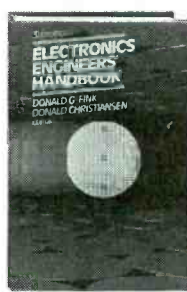
when you join the *Electronics Engineers' Book Club*®



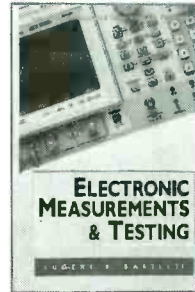
020984H-XXX \$110.50
Benefit from the collective expertise of more than 100 contributors in this book. It's the most current and comprehensive electrical reference available today. 2,208 pp., 1,421 illus. *Counts as 3*



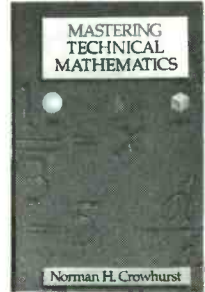
001848H-XX \$63.00
Assuming only a knowledge of elementary calculus and differential equations, this clear book features applications from fluid mechanics, fiber optics, vibrational phenomena, communications theory, and other engineering fields. 512 pp., 36 illus. *Counts as 2*



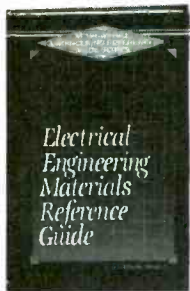
9255H-XXX \$105.50
"Outstanding, extensive reference to current technology of electronics. Covers everything from principles to applications."
—Computer Book Review
2,528 pp., 1,800 illus. *Counts as 3*



003961H \$40.00
Use available off the-shelf test equipment with this guide to basic electrical measurements, component measurements, system tests, and performance verification. 224 pp., 180 illus.



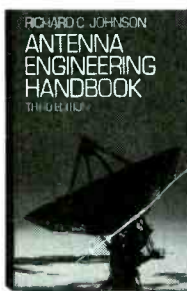
3438H-XX \$39.95
Solve problems in basic arithmetic, algebra, geometry, trigonometry, and calculus with the step-by-step instructions and alternative techniques presented here. 512 pp., 481 illus. *Counts as 2*



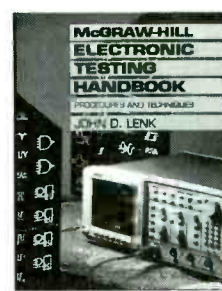
004196H \$49.00
Get concise information on major materials used for electrical engineering applications—conductor, magnetic, insulating, and structural materials; plastics; carbon and graphite; mica; and more—with this guide. 320 pp., Illus.



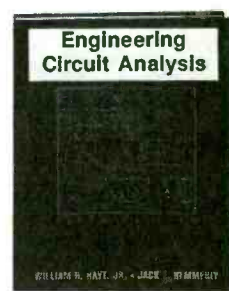
031716H \$50.00
Cover the basics of important video technologies in this comprehensive volume. You'll find valuable information on the production, recording, editing, transmission, distribution, and display of video signals. 300 pp., 120 illus.



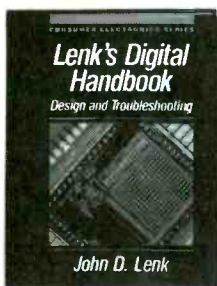
032381H-XXX \$119.50
Newly revised, this bestseller provides detailed information on physical fundamentals, patterns, structures, and design techniques. Experts from RCA, Raytheon, Scientific-Atlantic, and other major firms and universities have contributed to this book. 1,520 pp., 800 illus. *Counts as 3*



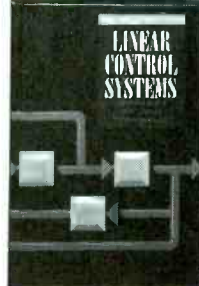
0376026H \$39.50
Make testing hassle-free with the help of bestselling author John D. Lenk. He details the types of test equipment available, what the various types do, and how they operate. Plus, he offers procedures for testing electronic devices, circuits, and components. 416 pp., 526 illus.



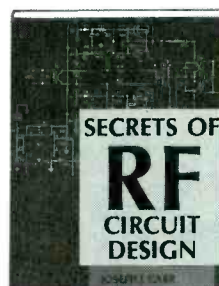
027410XH-XX \$69.44
This immensely popular text offers hundreds of numerical examples and clearly stated drill problems covering a wide range of the latest circuit analysis techniques and technologies. 726 pp., Illus. *Counts as 2*



037516H \$39.50
This helpful volume covers digital electronic devices and components and a simplified system of testing and troubleshooting that can be easily applied to any electronic system or equipment. 320 pp., 150 illus.



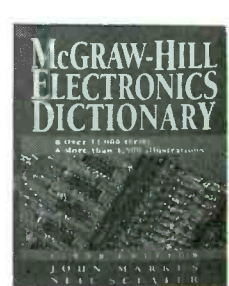
0415250H-XX \$61.53
Gain a firm understanding of the fundamentals of control theory with this authoritative guide. Plus, it will help you ensure stability and reduce the sensitivity of the system to disturbances and plant perturbations. 572 pp., Illus. *Counts as 2*



3710P \$19.95
Understand the basics of receiver operation, the proper use and repair components in RF circuits, and principles of radio signal propagation from low frequencies to microwave—all with this guide. 416 pp., 411 illus. *Softcover*



028977H-XX \$49.00
Unleash the power and complexity of the latest generation of controller designs. This book presents the ways a controller can be implemented into hardware. 350 pp., 125 illus. *Counts as 2*



0404348H \$49.50
More than 14,000 entries and 1,500 illustrations make up this A-to-Z reference. Its up-to-date definitions can not be found in general dictionaries. Plus, it focuses on terminology specific to the field of electronics. 608 pp., 1,500 illus.

ulation and internal linear or logarithmic sweep are available on some instruments. Separate TTL or CMOS pulse outputs might be available, providing exact preset voltage levels required for a specific logic family. Some function generators contain a frequency counter that will give a direct readout of output frequency.

The tests described in this article can be performed on a basic economy model function generator suitable for most electronic hobbyists and most routine electronics maintenance and circuit design. None of the tests described here require a bandwidth in excess of 2 MHz because they are limited to the audio range.

The sinewave distortion specification even for a basic function generator should be less than 1%, and its output should be variable, up to 20 volts peak-to-peak into an open circuit. A built-in counter is desirable feature but is not required for setting the output frequency. An internal linear or log sweep will be needed for making audio measurements. Instruments that meet these requirements typically sell in the \$300 to \$400 range.

Frequency-response

A function generator is not a constant voltage source. It typically has an output impedance of 50 ohms. Consequently, if you want to test a low-impedance component such as a speaker connected to the generator, the output of the function generator will vary with the impedance of the load.

To correct this condition, either add a series resistor or set up the function generator to drive an audio amplifier which, in turn, will feed the speaker. The low output impedance of the audio amplifier makes the function generator a constant voltage source.

Set up your instruments as shown in Fig 2. Select X-Y operation on your oscilloscope. Temporarily connect the function generator's output directly to the oscilloscope's vertical Y-axis input (typically channel 1). Con-

nect the generator control voltage (GCV) output to the oscilloscope's horizontal X-axis input (typically channel 2).

Select DC coupling on both input channels. Display only Channel 1. While the sweep is disabled, adjust the function generator to the desired maximum (ending) sweep frequency. A vertical line should appear on the screen. Adjust the oscilloscope's channel 1 position and voltage controls so that the line is centered vertically and is positioned to the far right, horizontally.

Adjust the amplitude controls so that the trace nearly fills the screen vertically. Then set the function generator's frequency lower. The vertical line should move to the left. Tape a piece of paper to the CRT screen and mark the position of the vertical trace at the various frequencies that you will use in your tests.

Tune the function generator back to the end (maximum) sweep frequency. Engage the sweep width adjustment, and set it for the maximum. Adjust the sweep width and frequency controls to obtain the desired

start and stop frequencies. The generator will now sweep between these two frequencies.

Now connect the component to be tested. It could be an amplifier, passive or active filter, loudspeaker, or microphone. Adjust the controls as needed so that the oscilloscope display looks like that shown in Fig. 3.

Impedance measurements

Figure 4 shows the setup for making impedance measurements on speakers and passive filters. Connect the GCV output of the function generator to the oscilloscope's X-input. With the oscilloscope in the X-Y mode, the oscilloscope's Y-input is the voltage across the speaker.

With the function generator out of the sweep mode, connect a 2-kilohm resistor in series with the function generator's output. Position the waveform near the center of the oscilloscope screen, and adjust its amplitude.

Adjust the output frequency of the generator until the vertical line reaches its maximum length. This is the speaker's resonant frequency. You can sub-

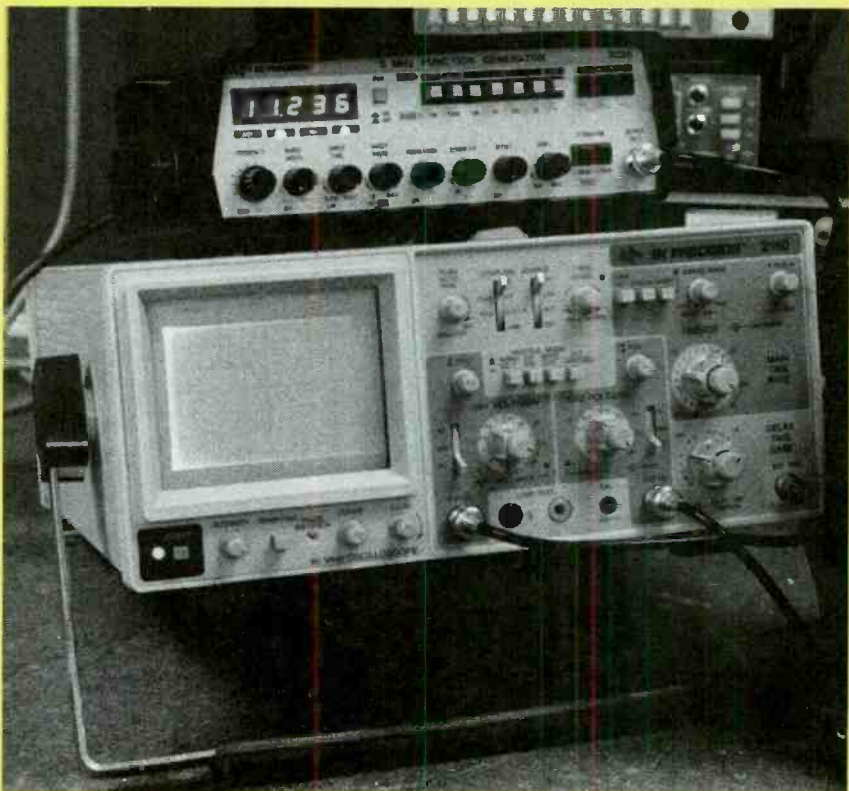
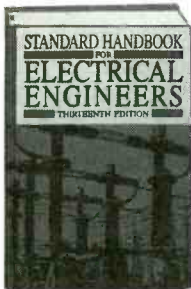


FIG. 1—A FUNCTION GENERATOR/OSCILLOSCOPE SETUP suitable for making the tests described in this article.

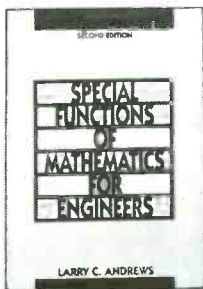
Get 3 Books for only \$9⁹⁵

Values to \$177.75

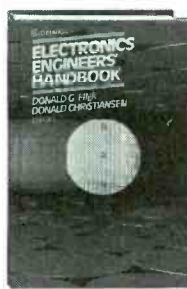
when you join the *Electronics Engineers' Book Club*®



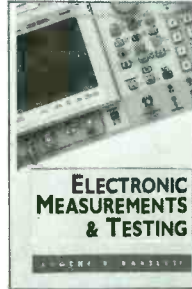
020984H-XXX \$110.50
Benefit from the collective expertise of more than 100 contributors in this book. It's the most current and comprehensive electrical reference available today. 2,208 pp., 1,421 illus. *Counts as 3*



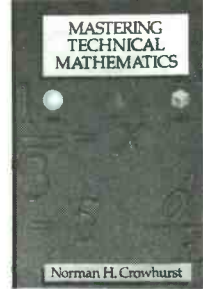
001848H-XX \$63.00
Assuming only a knowledge of elementary calculus and differential equations, this clear book features applications from fluid mechanics, fiber optics, vibrational phenomena, communications theory, and other engineering fields. 512 pp., 36 illus. *Counts as 2*



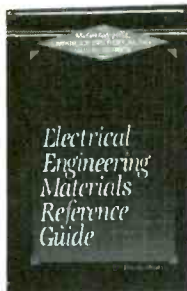
9255H-XXX \$105.50
"Outstanding, extensive reference to current technology of electronics. Covers everything from principles to applications."
—Computer Book Review
2,528 pp., 1,800 illus. *Counts as 3*



003961H \$40.00
Use available off-the-shelf test equipment with this guide to basic electrical measurements, component measurements, system tests, and performance verification. 224 pp., 180 illus.



3438H-XX \$39.95
Solve problems in basic arithmetic, algebra, geometry, trigonometry, and calculus with the step-by-step instructions and alternative techniques presented here. 512 pp., 481 illus. *Counts as 2*



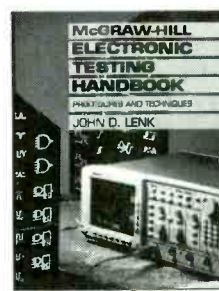
004196H \$49.00
Get concise information on major materials used for electrical engineering applications—conductor, magnetic, insulating, and structural materials; plastics; carbon and graphite; mica; and more—with this guide. 320 pp., Illus.



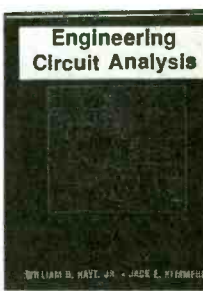
031716H \$50.00
Cover the basics of important video technologies in this comprehensive volume. You'll find valuable information on the production, recording, editing, transmission, distribution, and display of video signals. 300 pp., 120 illus.



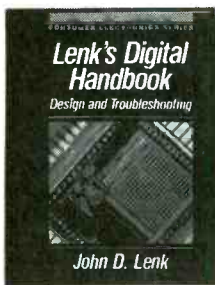
032381H-XXX \$119.50
Newly revised, this bestseller provides detailed information on physical fundamentals, patterns, structures, and design techniques. Experts from RCA, Raytheon, Scientific-Atlantic, and other major firms and universities have contributed to this book. 1,520 pp., 800 illus. *Counts as 3*



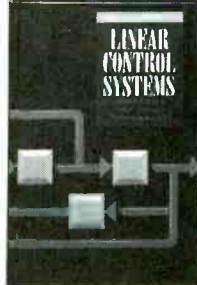
0376026H \$39.50
Make testing hassle-free with the help of bestselling author John D. Lenk. He details the types of test equipment available, what the various types do, and how they operate. Plus, he offers procedures for testing electronic devices, circuits, and components. 416 pp., 526 illus.



027410XH-XX \$69.44
This immensely popular text offers hundreds of numerical examples and clearly stated drill problems covering a wide range of the latest circuit analysis techniques and technologies. 726 pp., Illus. *Counts as 2*



037516H \$39.50
This helpful volume covers digital electronic devices and components and a simplified system of testing and troubleshooting that can be easily applied to any electronic system or equipment. 320 pp., 150 illus.



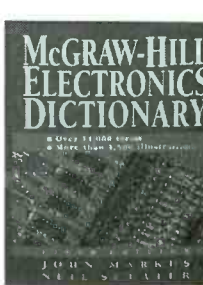
0415250H-XX \$61.53
Gain a firm understanding of the fundamentals of control theory with this authoritative guide. Plus, it will help you ensure stability and reduce the sensitivity of the system to disturbances and plant perturbations. 572 pp., Illus. *Counts as 2*



3710P \$19.95
Understand the basics of receiver operation, the proper use and repair components in RF circuits, and principles of radio signal propagation from low frequencies to microwave—all with this guide. 416 pp., 411 illus. *Softcover*



028977H-XX \$49.00
Unleash the power and complexity of the latest generation of controller designs. This book presents the ways a controller can be implemented into hardware. 350 pp., 125 illus. *Counts as 2*



0404348H \$49.50
More than 14,000 entries and 1,500 illustrations make up this A-to-Z reference. Its up-to-date definitions can not be found in general dictionaries. Plus, it focuses on terminology specific to the field of electronics. 608 pp., 1,500 illus.

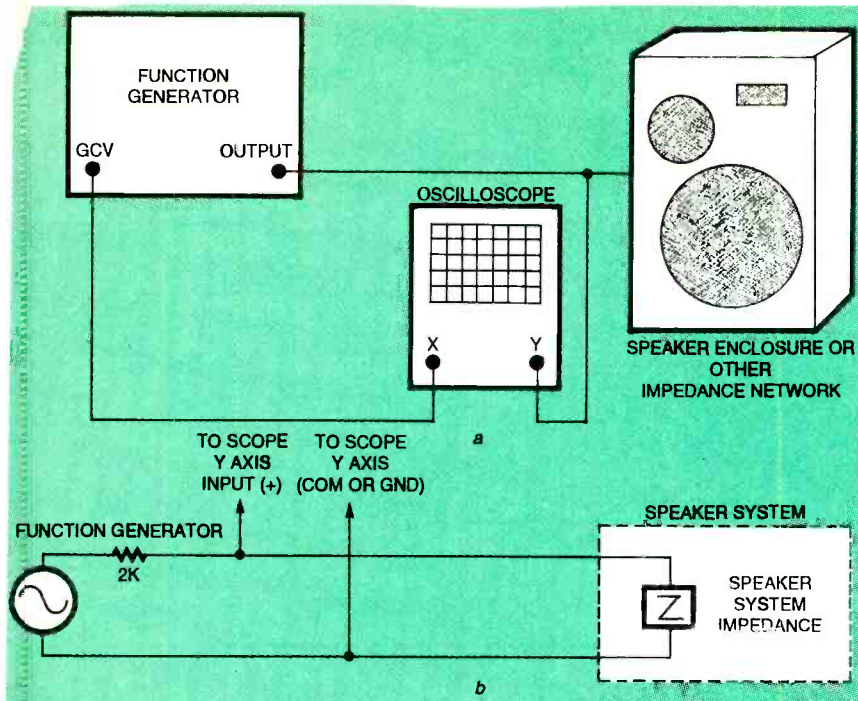


FIG. 4—SETUP FOR TESTING SPEAKER SYSTEMS and impedance networks (a) and equivalent circuit (b).

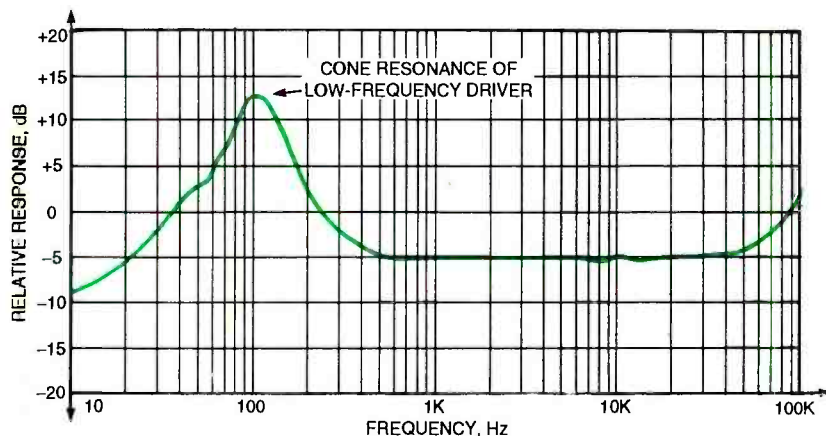


FIG. 5—GRAPH OF RELATIVE RESPONSE vs. frequency for an enclosed, low-frequency speaker showing a single resonance peak.

as horizontal lines. Marginal components can be identified by comparing their waveforms with idealized waveforms of the correct signatures.

Fortunately, you can perform many of the tests best performed on a signature analyzer with a function generator and an oscilloscope and save the \$1000 to \$3000 you would have to spend to buy an analyzer.

With the instrumentation setup described here, the range of applied test voltage will be somewhat limited. Moreover, repeatability will not be optimum because you must readjust frequency and output voltage each

time you perform a test. However, you will become familiar with the E-I test technique without the need to purchase additional instruments.

This setup lacks some of the benefits of the full-fledged signature analyzer such as A-B input switching for rapid good-bad comparisons, multichannel clips for testing the pins of integrated circuits automatically in sequence, and the ability to store component waveforms on a personal computer for comparison purposes. And, of course, without this connection to the PC, you won't be able to generate reports with the

data or store test records.

The test setup for the alternative signature analyzer is shown in Fig. 8. Connect the function generator output across both the component under test and a 51-kilohm series resistor. Fix the oscilloscope's Y input across the 51-kilohm resistor in series with a 2-kilohm resistor, and connect its X input across the component under test. Tie the grounds from the two probes to a common point between the resistor and component under test.

Select the sinewave output from the function generator, and set the voltage and frequency controls for a clear display. Again, set the oscilloscope in the X-Y mode.

Familiarity with the waveforms of good components is essential for the most effective troubleshooting. If you are doing routine production testing, have a sample tested and known fault-free board on hand for comparison with any board that contains faulty components. Note, however, that the signature of a component in a circuit will differ from that of the same component out of a circuit.

Select a test voltage and frequency very carefully to produce the optimal signature for the known good component. The signatures expected will, of course, differ with the type of component being tested. Keep a written record of the voltage and frequency settings for the values you test.

Typical signatures

The signature of a resistor is a sloping line as shown in Fig. 9-a. The slope changes with the value of the resistor. Select a voltage so that the slope of the line for a known good resistor is close to 45°.

The signatures of capacitors and inductors are ellipses as shown in Fig. 9-b. They should nearly fill the oscilloscope graticule. High values of each flatten the ellipse along its horizontal (X) axis, and low values flatten it along its vertical (Y) axis.

Here are some points to keep in mind about inductor and ca-

capacitor E-I signature testing:

- Inductors with the same value can have different signatures because of differences in their core materials or the position of the core with respect to the winding.
- Capacitor leakage that cannot be found with digital multimeter capacitance measuring circuits can be found with signature analysis.

Semiconductor diodes can also be tested with this method. Diode signature analysis will detect defective diodes that are open or nearly open-circuited, short-circuited, or those with high internal leakage. However, the same information can usually be obtained with the diode test function of the DMM.

• Silicon diodes exhibit the easily identifiable backward "L"-shaped signatures shown in Fig. 9-c. Light-emitting diodes have similar signatures except that they have a greater slope in their vertical portions. This slope varies with the emission color of the LED, as shown in Fig. 9-d.

Zener diodes conduct in both directions as shown in Fig. 9-e. If the diode is good, it will have a sharp, well defined knee, provided the test voltage is set high enough to produce it.

Transistors and ICs

When the signature technique is applied to transistors and integrated circuits (analog or digital), the waveforms have diode-like signatures:

- Bipolar junction transistors must be tested across their base-collector, collector-emitter, and base-emitter junctions. Their signatures are similar to a silicon diode in series with a Zener diode. The separating point between the two waveforms represents the base.
- Field-effect transistor (FET) must be tested across their gate-source, drain-source, and drain-gate junctions.
- Silicon controlled rectifiers (SCR) are connected across the anode and cathode, and pulse generator output is connected to the gate. Increase the pulse generator output until the SCR turns on.

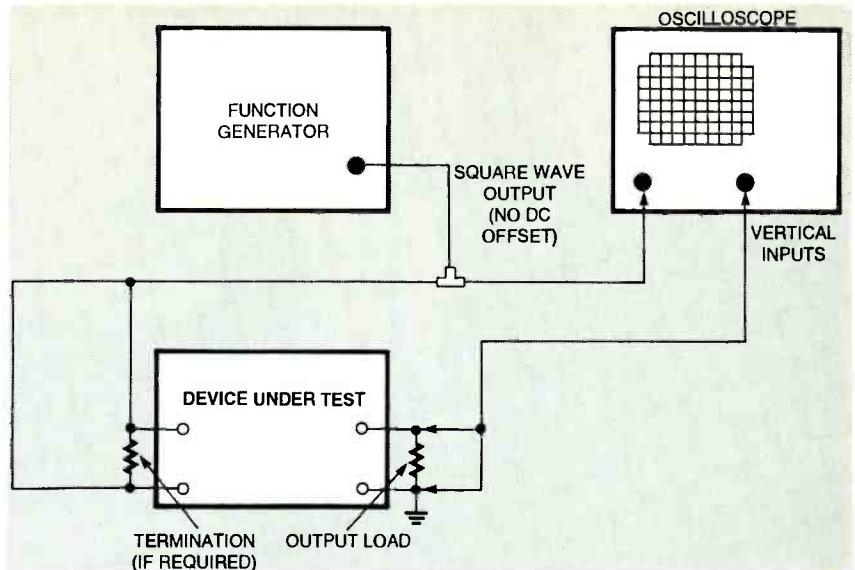


FIG. 6—TEST SETUP FOR AMPLIFIER PERFORMANCE with square waves.

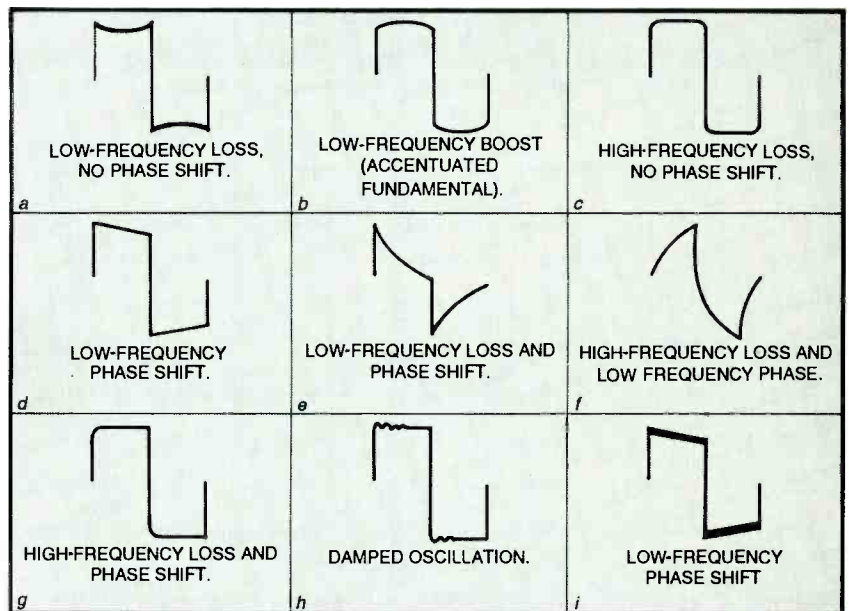


FIG. 7—WAVEFORMS OBTAINED for various test conditions with square waves from the signal generator.

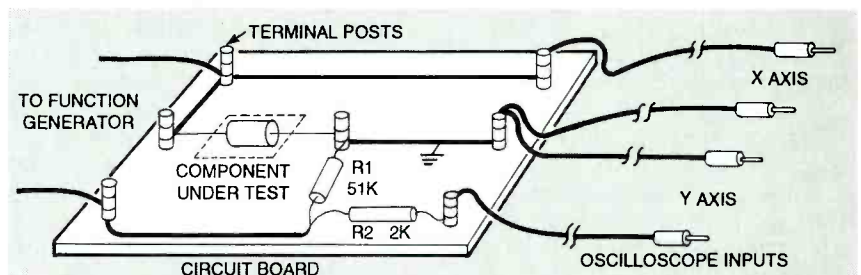


FIG. 8—COMPONENT TEST BOARD that can be hard-wired or put in a project case to simplify the test procedure.

Semiconductor tutorial

Signature analysis is useful in explaining the operating characteristics of semiconductors. For example, in the diode

signature shown in Fig. 9-c, the horizontal distance between the vertical axis on the screen and the vertical part of the sig-

Continued on page 73



BUILD THIS TELEPHONE CALL RESTRICTOR

Restrict access to those expensive "900" and "976" numbers with this inexpensive call restrictor.

TERRY WEEDER

OVER THE PAST FEW YEARS, THE "900," "976," and "540" telephone exchanges have become an easy way for people to spend a lot of money—too easy, perhaps. Some of those numbers, which provide access to a wide variety of services from sports scores to sex chat lines, can cost several dollars per minute. You won't even see the damages—a huge phone bill—until the end of the month. What makes it worse is that anyone who has

access to your phone can call these numbers, forcing you to pay the bill. Most people would not leave their credit cards lying around the house for anyone to use, but in a sense, that is what you are doing if you allow others to have dialing access to all phone numbers from your phone.

The Telephone Call Restrictor described in this article can block access to any particular telephone number, or any group of numbers beginning with a certain prefix. The numbers to

be blocked are entered into the call restrictor's memory from a Touch-Tone phone. The restrictor can also be programmed to block all telephone numbers *except* those which you have entered into memory. That feature is ideal for your business if you want to allow incoming calls, but only outgoing emergency calls.

The restrictor can be plugged into any phone jack in your home or office to control all the phones on that line. The restrictor can be disabled on a single-

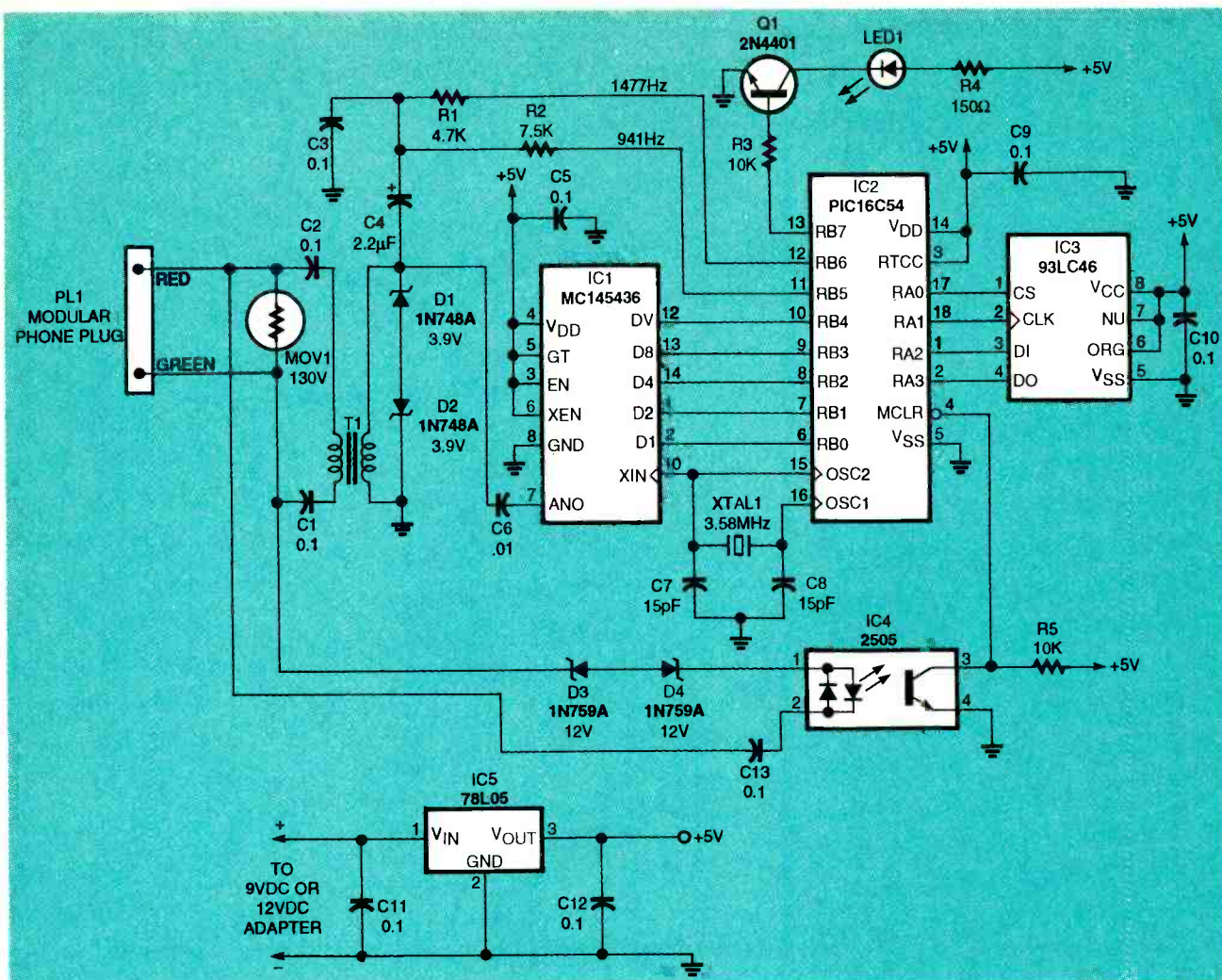


FIG. 1—THE MICROCONTROLLER (IC2) COMPARES the decoded DTMF tones from IC1 with the telephone numbers stored in the EEPROM (IC3).

call basis with a four-digit password. The password also prevents others from reprogramming the unit.

The restrictor is programmed from a Touch-Tone phone. An EEPROM provides non-volatile storage of the programmed information. Therefore, the restrictor will not lose its data because of a power failure or relocation of the unit.

Circuit theory

A schematic diagram of the call restrictor is shown in Fig. 1. Capacitors C1 and C2 and transformer T1 isolate the circuit from the phone line. Those components also couple the DTMF (dual-tone multiple frequency) tones from the phone to pin 7 of IC1, an MC145436 DTMF receiver. A metal-oxide varistor (MOV1) protects the cir-

cuit from high-voltage spikes on the line, and D1 and D2 provide protection from ringer voltages. The DTMF receiver converts the Touch Tones into 4-bit TTL-level data. The PIC16C54 microcontroller (IC2) processes the data from IC1, stores the user-entered telephone numbers in EEPROM (IC3), and generates the tones necessary to disable the telephone.

Optoisolator IC4 generates a reset pulse for the microcontroller every time the handset is picked up or put back on hook. The change in voltage from tip to ring (when the line goes from on-hook to off-hook or vice versa) causes current to flow through the optoisolator as C13 charges or discharges to the new voltage level. The current flow forward biases the transistor output of IC4, which

pulls IC2's reset pin low. Diodes D3 and D4 provide a threshold voltage that is high enough so that voice or DTMF tones will not trigger a reset.

A low-current voltage regulator (IC5) drops the voltage from a 9- or 12-volt DC adapter to 5-volts DC; C11 and C12 stabilize IC5's output.

The disable tones generated by IC2 (discussed later) are attenuated by R1 and R2, smoothed out by filter capacitor C3, and then coupled to T1 by capacitor C4. Transistor Q1 turns LED1 on when pin 13 of IC2 goes high.

Microcontroller and EEPROM

The PIC16C54 is an 8-bit CMOS microcontroller manufactured by Microchip Technology, Inc. This microcontroller has one eight-bit I/O port, one four-bit I/O port, 512 × 12 bits of on-chip EPROM, and 32 × 8 bits of data RAM.

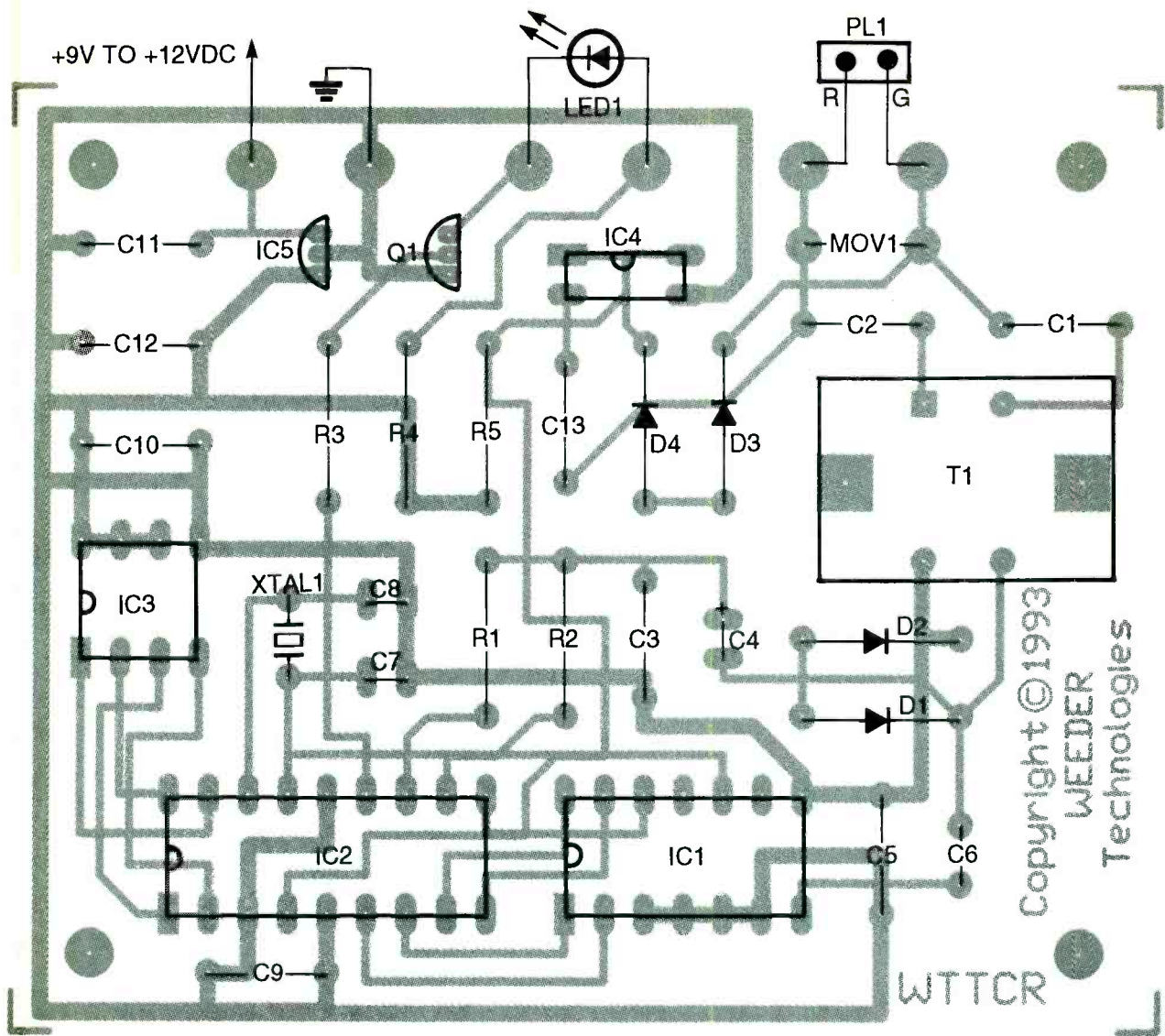


FIG. 3—PARTS PLACEMENT DIAGRAM. Mount components as shown here. Watch for solder bridges on Q1 and IC5.

The PIC16C54 contains a two-level stack, an eight-bit wide arithmetic logic unit (ALU), and a real-time clock/counter register with a prescaler. The instruction set consists of 33 single-word operations which require one cycle (four clock pulses) for execution. Instructions that force a program branch require two cycles. Each pin of the I/O ports can be configured individually as either an input or output through software. The PIC16C54 also has its own built-in "watch dog" timer (WDT) and "sleep" mode, but neither are used in this circuit because the chip is reset every time the handset is picked up. Also, the circuit is powered by

an AC adapter so low-power operation is not essential.

A preprogrammed PIC16C54 is available from the source given in the Parts List. The source and object code files are available on the *Electronics Now* BBS (516-293-2283, V.32, V.42bis) for those who wish to program their own microcontrollers. A programmer for the microcontroller was described in the January 1994 issue of *Electronics Now*.

The internal RAM of the PIC16C54 functions as working registers for the operating program. All user-entered data is stored in IC3, a 93LC46, 1K serial EEPROM, also manufactured by Microchip. The 93LC46 is connected to Port A of

IC2 through four input lines: CHIP SELECT, CLOCK, DATA IN, and DATA OUT. After a high is detected on CHIP SELECT, data is then transferred to and from the 93LC46 on the positive transition of the clock signal.

Each transfer of data consists of one start bit, a two-bit opcode that identifies the function to be performed, then a 6-bit address, followed by the 16 bits of data which is being read from or written to that address. Immediately preceding and following all write operations, the microcontroller sends instructions to the 93LC46 that enable or disable the write function, thereby protecting the data.

The data in the 93LC46 is stored in 16-bit blocks, while the data output from the DTMF receiver is in 4-bits. To make

PARTS LIST

All resistors are 1/4-watt, 10%, unless noted otherwise.

- R1—4700 ohms
- R2—7500 ohms
- R3, R5—10,000 ohms
- R4—150 ohms

Capacitors

- C1—C3, C5, C9—C13—0.1 μ F, Mylar
- C4—2.2 μ F, 16 volts, tantalum
- C6—0.01 μ F, Mylar
- C7, C8—15 pF, ceramic disc

Semiconductors

- IC1—MC145436 DTMF receiver (Motorola)
 - IC2—PIC16C54-XT/P microcontroller (Microchip)
 - IC3—93LC46 serial EEPROM (Microchip)
 - IC4—2505-1 optoisolator (NEC or equivalent)
 - IC5—78L05 low-power 5-volt regulator
 - D1, D2—1N748A 3.9-volt Zener diode
 - D3, D4—1N759A 12-volt Zener diode
 - LED1—light-emitting diode, any color
 - Q1—2N4401 NPN transistor
- Other components**
- MOV1—130 VRMS metal-oxide varistor
 - T1—600-ohm primary, 600-ohm secondary, audio transformer
 - XTAL1—3.58 MHz TV colorburst crystal

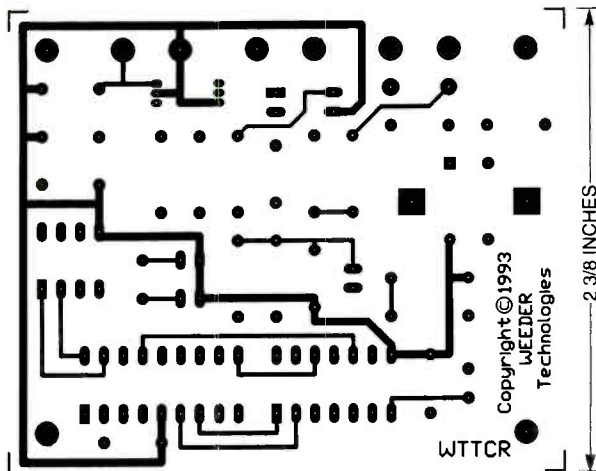
Miscellaneous: Enclosure, PC board, IC sockets, wall adapter (9- or 12-volt DC), telephone cord with modular plug, hook-up wire, solder, hardware

Note: The following items are available from Weeder Technologies, P.O. Box 421, Batavia, Ohio 45103:

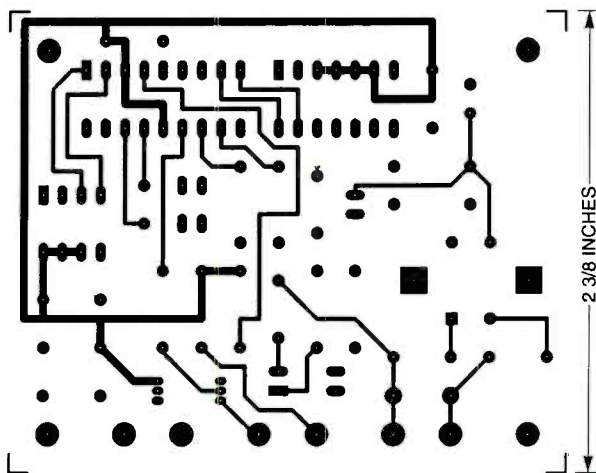
- Double-sided PC board (WT-TCR-B)—\$9.50
- Kit of all board mounted components including pre-programmed PIC16C54 (WT-TCR-C)—\$25.50
- Pre-programmed PIC16C54 only (PIC-TCR)—\$16.00

All orders must include \$3.50 for shipping and handling. U.S. and Canadian orders only. Ohio residents must add 6% sales tax.

use of all the memory available in the 93LC46, the microcontroller's software is written so that it will stack four numbers at the same address loca-



COMPONENT SIDE of the call restrictor.



SOLDER SIDE of the call restrictor.

tions when storing the numbers in EEPROM, then extract the numbers in the correct order when reading back from the EEPROM.

Software

A flow chart of the operating program is shown in Fig. 2. After IC2 resets (which occurs when the phone is taken off-hook), the chip looks for a number entered from the telephone. This microcontroller waits for a high on the DV (DATA VALID) pin of IC1, reads the 4 data lines, and then waits for a low on the DV pin. The microcontroller then checks to see if the pound (#) key is pressed. It indicates a request to program the EEPROM.

If a # is detected, IC2 looks for a password in EEPROM. Initially, a non-programmed 93LC46 EEPROM contains all

1's in its registers. Therefore, the microcontroller can determine if a password has been entered. If a password is found, IC2 reads the next four numbers from IC1 and determines if they match the password stored in EEPROM. If a valid password has been entered, the caller can then program the EEPROM. If an incorrect password is entered, or if a mistake is made in the programming sequence, an error tone is transmitted on the phone line. It continues until the phone is replaced on hook (causing a reset of IC2).

If the first number entered from the phone is not the # key (indicating that a call is being attempted), IC2 stores the number in one of its registers and then looks for a match in EEPROM. IC2 disables the telephone if there is a match, and then places the next number

entered in an adjacent register and looks for a match making use of both numbers stored in its registers. The process is repeated, adding each new number to the string of numbers stored in IC2's registers and comparing this string with numbers stored in EEPROM until either a disable condition is met or the string exceeds 11 characters.

If a disable condition is met, IC2 outputs two tones on port B; 1477 hertz is output on pin 12 and 941 hertz is output on

pin 11. The two tones are the same as those generated by pressing the # key on the phone. Upon detection of this tone pair by the central office, a busy signal is automatically issued so that the call cannot be completed. (The same tone pair is also indicates an error as mentioned earlier.)

In areas where the central office does not generate a busy signal when the # key is pressed, the tone generated by the restrictor will interfere with any conversation.

Notice from the flow chart that when programming the EEPROM, the microcontroller sets the bypass bit immediately after verifying that a correct password has been entered. It then clears that bit after receiving another number from the phone. If the caller enters the correct password and then hangs up the phone without entering any additional numbers, the bypass bit will be set. Therefore, when the handset is picked up to place the next call, the set bypass bit will be detected, and the program will branch to an endless loop that keeps the blocking action of the circuit disabled until a reset occurs. Placing the handset back on-hook resets the circuit.

Construction

The circuit fits on a double-sided, 2⁷/₈ × 2³/₈-inch printed circuit board. Artwork is provided here for those who wish to make their own boards. Manufactured boards can be purchased from the source given in the Parts List. Refer to the parts-placement diagram in Fig. 3 and start by inserting and soldering IC sockets for IC1 through IC3. Mount IC4 directly to the board and then solder Q1 and IC5 to the board, carefully avoiding solder bridges between the closely spaced pads.

Next, mount the resistors, capacitors and diodes. When soldering the crystal (XTAL1), leave a small space between the bottom of the crystal and the PC board. Caution: The metal case of the crystal could short the two solder pads together if it is pushed flush against the board when soldering. Finish assembly by mounting the transformer (T1) and the varistor (MOV1).

After all components have been soldered to the board, double check for solder bridges on both the top and bottom side of the board, and re-solder them if necessary. Carefully plug IC1, IC2, and IC3 into their sockets.

The board will mount directly in a plastic enclosure available from Digi-Key (Part No. SR131G-ND), but it is not essential that you use this case. Because this unit can be operated remotely with any Touch-Tone phone on the phone line, you might want to build the circuit without a case.

LED1 can be mounted to the top of the enclosure or soldered directly to the PC board. Use a phone cord with a modular jack on one end and solder the red and green wires to the correct locations on the board—you can cut off the black and yellow wires. After determining their polarity, solder the AC adapter's leads to the points labeled POS and NEG.

Mount the board in the enclosure and cut two slots in the seam of the plastic case for the power cord and the phone cord. Figure 4 shows the inside of the

continued on page 74

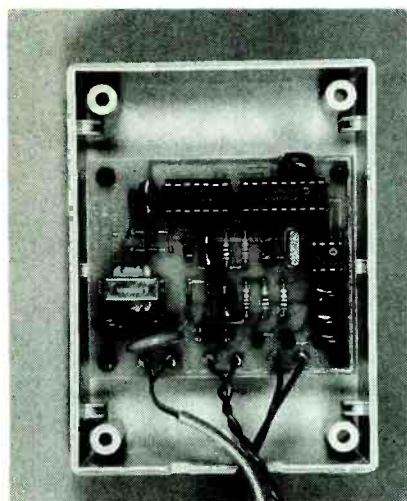


FIG. 4—MOUNT THE BOARD in the enclosure and cut two slots in the seam of the plastic case for the power cord and the phone cord.

TABLE 1—PROGRAMMING

To Change / Enter Password:

- Password - * - New Password -

To Disable for Next Call:

- Password (hang up)

To Program "Block Group" Mode:

- Password - # - 1 - #
 Number - # -
 Number - # -
 Number - # -
 " (up to 248 characters)
 Number - # - *

To Program "Allow Group" Mode:

- Password - # - 2 - #
 Number - # -
 Number - # -
 Number - # -
 " (up to 248 characters)
 Number - # - *

Note: "Number" can be any telephone number (1 to 11 digits long).

**BRANCO JUSTIC and
PETER PHILLIPS**

NIGHT-VISION SCOPES WERE DEVELOPED as military surveillance devices to permit viewing enemy activities and aiming weapons at night without revealing the observer's presence. The sensitivities of their principal components, image tubes, have been improved with fiber-optic lenses, more gain stages and better photocathodes. In addition, miniature, solid-state, extra high-voltage power supplies have reduced their size, weight and power needs.

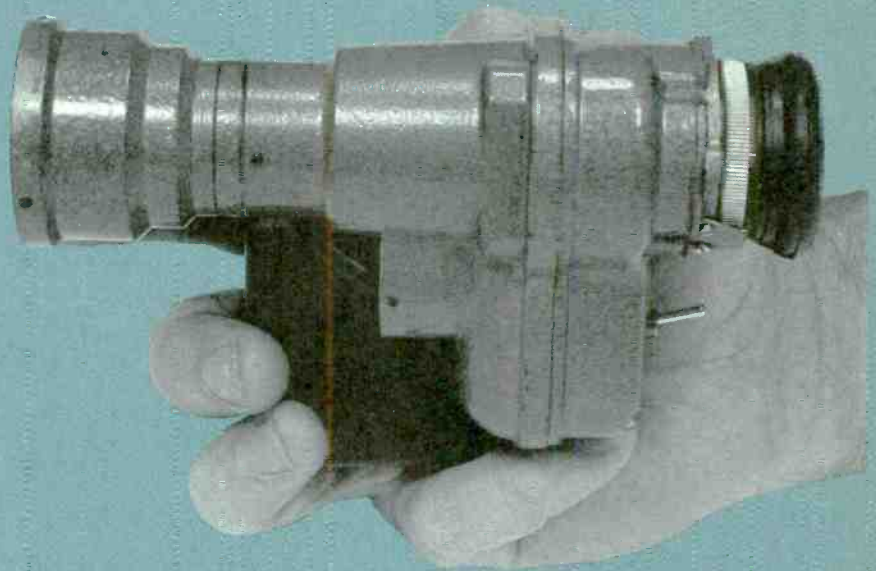
Two night-vision scopes are described in this article. One is passive, meaning that it will work in faint natural light, and the other is active, meaning that it requires supplemental infrared illumination. They include surplus first-generation imaging tubes. Although they have been superseded by more advanced devices, they will, nevertheless, provide adequate sensitivity for most hobbyists and science experimenters.

The active scope will permit police to observe suspected criminal activity at night and citizens to monitor their homes or property without being detected. The scope will also permit hunting, nature study, marine navigation, and many other nighttime applications. The active scope is suitable for some of these activities, but the scene must be illuminated by an infrared source. Neither will disturb the eyes' adaptation to darkness.

The first night vision scopes were designed for use by forward observers, snipers, aviators, and tank crews. Some that were made as monoscopes to mount on rifles looked like the devices shown in Fig. 1; others were made as binoculars. The most sensitive passive units are called *starlight scopes*. *Night-vision goggles* are lightweight binoculars for helicopter crews that mount on their helmets.

Active night-vision scopes, such as the one shown in Fig. 2, depend on infrared illumination from sources such as lasers for aiming artillery, guided mis-

NIGHT-VISION SCOPES



***View a scene in near total darkness
with a passive night-vision scope,
or illuminate it with infrared
for an active scope***

siles, and "smart" bombs. Night-vision systems were considered military secrets for many years. After they were declassified, they could be sold as military surplus and commercial versions based on the technology were offered for police surveillance and as nighttime marine navigational aids at prices that often exceed \$2000.

Both of the night-vision scopes described in this article are based on military surplus equipment that includes both an image tube and optics. The parts for the active unit cost \$90, and parts for the active unit cost \$220.

Night-vision scopes

Figure 3 illustrates a typical night-vision scope. The objec-

tive lens, positioned at the cathode end of the tube, focuses the image on the photocathode. It is selected for its intended application—long-distance or short-range viewing. The eyepiece at the anode is for viewing the enhanced image. It is a simple lens that magnifies the image on the screen. It can be removed and replaced by a television camera, camcorder or film camera for transmitting or recording the image.

The image tubes are the hearts of the night-vision scopes. Before you start building one (or both), you might want to learn more about how they work. See the sidebar entitled "Image Converter and Intensifier Tubes."

The only electronics needed

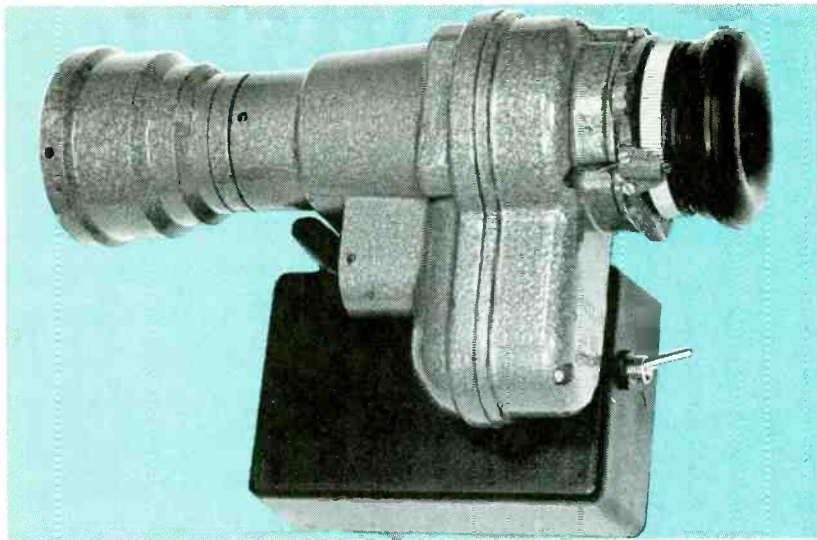


FIG. 1—A PASSIVE NIGHT-VISION MONOSCOPE made from half of a Russian night-vision binocular with an image intensifier tube and all optics.

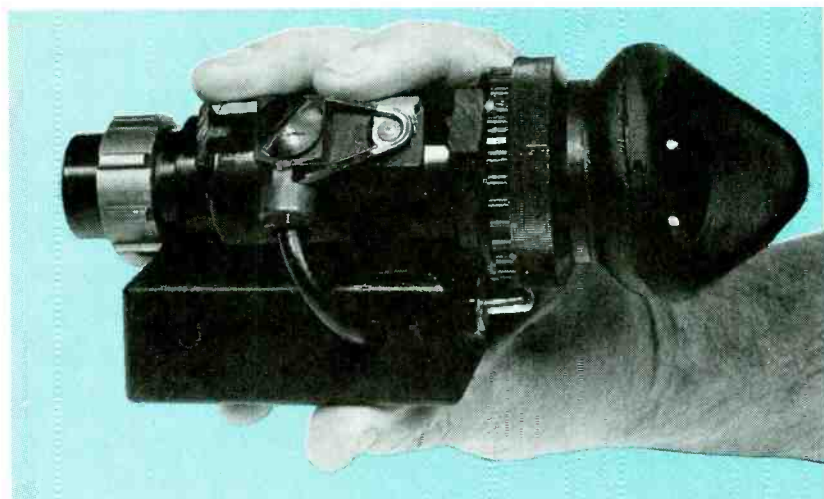


FIG. 2—THIS ACTIVE NIGHT-VISION SCOPE requires an infrared illumination source but it works from the same power supply as the scope in Fig. 1.

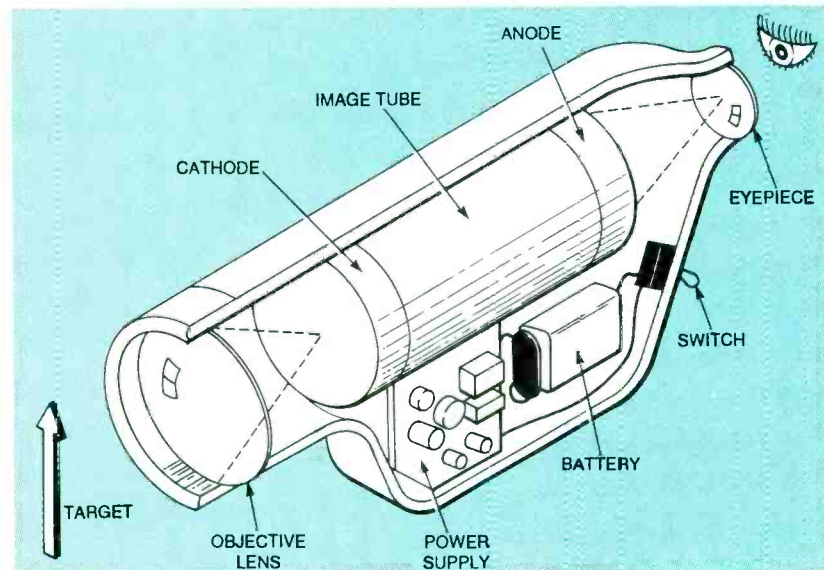


FIG. 3—ALL NIGHT-VISION SCOPES have objective and eyepiece lenses, an image tube, a high-voltage power supply, and a battery.

in both projects described in this article is a high-voltage power supply capable of providing a typical working voltage of 13.5 kilovolts. This efficient and compact regulated supply operates satisfactorily from a 9-volt, alkaline battery. The current drain of both tubes described here is small, so that their power consumption is low.

The compact power supply is built into a small plastic project case that is fastened directly to the surplus night-vision scope that contains the imaging tube. The Russian-made monocular viewer shown in Fig. 1 is actually one half of a binocular. It is complete with an objective lens and an eyepiece. This assembly includes a first-generation, single-stage *image intensifier tube*.

The active night-vision scope shown in Fig. 2 contains a single-stage *image converter tube*. Instructions on how to make several different low-cost infrared illumination sources are described in this article.

Active military night-vision weapons aiming systems typically include an infrared-emitting laser. It pinpoints the target for a heat-seeking weapon or for aiming other kinds of guns or missiles while also acting as a non-visible searchlight for the observer (bombardier or gunner) with an active scope. Various systems have been built for use on land, in the air, or on the sea at night.

Infrared-sensing missiles and "smart" bombs actually "home" on the IR-illuminated target which has been identified by the observer who directs the laser beam and watches it with the active scope. Needless to say, aiming and firing must be fast because enemy gunners with active scopes can also see the laser illumination and take evasive action or retaliate.

Power supply design

Figure 4 is the schematic for a high-voltage power supply that will power both night-vision scopes described here. It produces about 13.5 kilovolts from a 9-volt battery. The tubes draw about 20 milliamperes so about

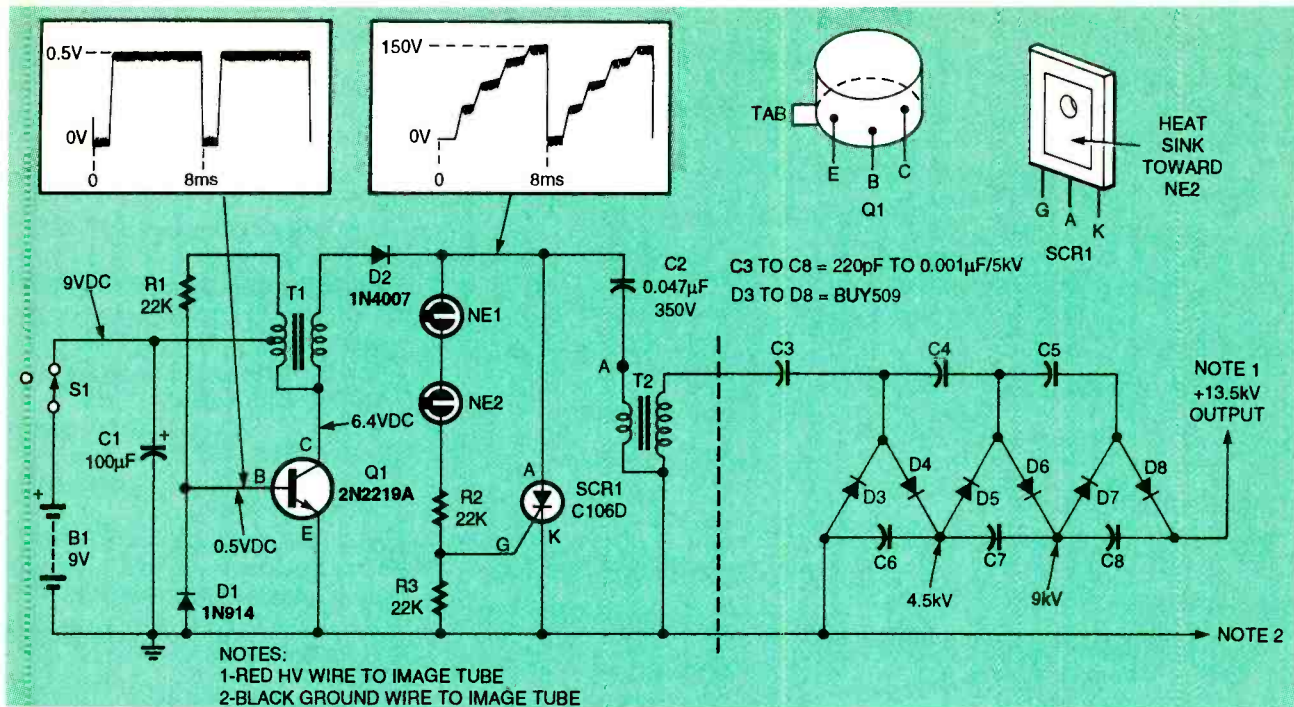


FIG. 4—THIS HIGH-VOLTAGE POWER SUPPLY has an inverter around Q1 that supplies 150-volt pulses to the converter of SCR1 and C2. The output of T2 is a 4.5 kilovolt pulse that is multiplied by the voltage-tripler network (right) to produce 13.5 kilovolts.

36 hours of useful life can be obtained from a 9-volt alkaline battery. The output voltage will remain essentially constant for battery voltages of 6 to 12 volts.

The power supply has three sections: the inverter, the converter, and the voltage multiplier. The inverter section, a ringing-choke oscillator, consists of transformer T1, resistor R1, diode D1, and transistor Q1. Resistor R1 provides bias current for starting the oscillator, and it also supplies the feedback to maintain oscillation.

Diode D1 protects the base-emitter junction of Q1 when the base voltage swings negative. The oscillator operates at about 120 Hz, set principally by the transformer. The resulting AC voltage at the primary of T1 is stepped up by the secondary turns. The secondary voltage, which is rectified by diode D2, charges C2 through the primary (low-resistance) winding of transformer T2.

When the voltage across C2 exceeds the breakdown voltage of the two series-connected neon lamps NE1 and NE2 (about 150 volts) the lamps turn on. This conduction triggers SCR1, and C2 is quickly discharged through SCR1 and the

LIGHT UNITS

The standard (SI) unit of light intensity is the lux, and a typical recommended minimum illumination level for a video camera is around 50 lux. However, some video cameras will work with light levels as low as 1 lux. With this frame of reference, you can get a better idea about how sensitive night-vision systems are.

The recommended light level for the safe operation of these tubes is from 50 millilux down to 500 microlux (0.0005 lux)—very low light levels. Table 1 lists familiar light levels and their light intensity in lux units. By contrast, a typical first-generation image intensifier tube will not be damaged if the illumination level is as high as 100 millilux (one tenth of a lux), but tube life will be reduced if it is exposed for long periods to that light level.

Sensitivity is the most important specification for a night-vision scope. An average scope has a sensitivity of 10 millilux (mlx), a value that makes it effective in night light-

ing from a quarter moon. By contrast, a very sensitive night-vision scope can operate at 1 mlx, which corresponds to starlight conditions. For this reason, very sensitive scopes are called "starlight" scopes.

primary winding of T2. When C2 is discharged, the lamps extinguish, SCR1 turns off, and the charge cycle starts again. During the discharge cycle of C2, a pulse with a peak-to-peak voltage of 4.5 kilovolts is produced at the secondary of trigger transformer T2. This pulse

TABLE 1 RELATIVE VALUES OF NATURAL LIGHT SOURCES

Source	Illumination (lux)
Direct sunlight	100,000
Bright sunlight	10,000
Overcast day	1,000
Very dull day	100
Twilight	10
Deep twilight	1
Full moon	0.1
Quarter moon	0.01
Starlight	0.001
Overcast starlight	0.0001

is applied to the three-stage Cockcroft-Walton or Greinacher voltage-multiplier circuit consisting of diodes D3 to D8 and capacitors C3 to C8.

The multiplier triples the 4.5-kilovolt input to provide the 13.5-kilovolt output with very low current. The capacitors and

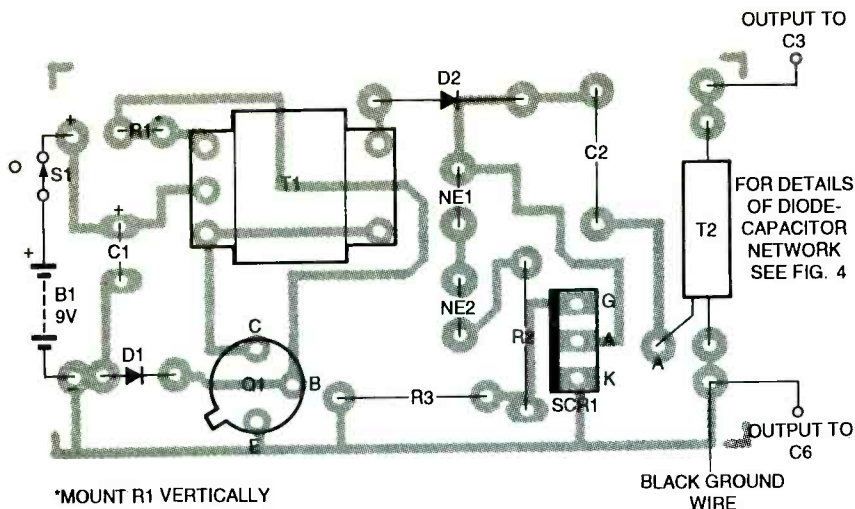


FIG 5—PARTS PLACEMENT DIAGRAM for the high-voltage power supply. Refer to Fig. 4 for the layout of the voltage-tripler network that is connected to its output.

PARTS LIST

Resistors are ¼-watt, 10%

R1, R2, R3—22 kilohms

Capacitors

C1—100 µF, 25 volts, aluminum electrolytic

C2—0.47µF, 350 volts, polyester

C3, C4, C5, C6, C7, C8—220 pF, 5 kV breakdown, ceramic

Semiconductors

D1—1N914 silicon signal diode

D2—1N4007, 1000V, 1A silicon diode (DO-41 case), Motorola or equiv.

BY509—silicon diode, 10 kV, 3 mA, Philips or equiv. (rating must be greater than 6 kV, 2 mA)

2N2219A—NPN transistor, Motorola or equiv.

MCR106-6 (C106D)—SCR, 400 V, 4 A in a T-126 package, Motorola or equiv.

Other components

NE1, NE2—neon tubes, miniature

T1—transformer, inverter, 3 kilohm CT, iron core, audio, miniature PC mount

T2—transformer, trigger type, 250 V primary, 6 kV secondary

Miscellaneous

printed circuit board; passive night-vision monoscope with imaging tube and optics (see text); active night-vision scope with converter tube (see text); plastic project box (see text); 9-volt alkaline transistor battery, 9-volt transistor battery clip with wires; miniature toggle

switch, PCB mounted; plastic sleeving; RTV silicone potting compound; tinned copper wire, 22 AWG; insulated hookup wire, 22 AWG, solder.

Note: The following items are available from Oatley Electronics, P.O. Box 89, Oatley, Sydney, NSW, Australia 2223: Phone 011 61 2 579 4985 (Time zones USA—East 7 PM to 2 AM, Central 6 PM to 1 AM, Mountain 5 PM to 12 AM, Pacific 4 PM to 11 PM), Fax 011 61 2 570 7910. Mastercard and Visa accepted with telephone or fax orders, international bank drafts and money orders accepted by mail. Customers please include phone and/or fax number.

• Complete kit of passive night-vision scope and parts for the HV power supply—\$220.00

• Complete kit of active night-vision scope and parts for HV power supply—\$90.00

• Kit of parts for HV power supply only—\$24.00

• Kit of non-standard parts (T1, T2, NE1, NE2, and C2)—\$8.00

Include \$15.00 for shipping and handling, \$6.00 for air mail from Australia.

diodes must be rated to withstand at least 4.5 kilovolts. For this reason, the capacitors are all rated at 5 kilovolts, and the diodes are high-voltage units.

The neon lamps regulate the output so that the voltage applied to the primary of T2 is constant at 150 volts, peak. Although the power supply out-

put is nearly constant for DC input voltage from 6 to 12 volts, the operating frequency of the inverter/oscillator increases with the DC input voltage. The waveforms and frequencies shown on Fig. 4 were obtained with a 9-volt input.

Building the power supply

All the electronic components of the power supply except the capacitors and diodes in the voltage tripler are mounted on a 1⁵/₁₆ × 1¹/₁₆-inch printed-circuit board that will fit with a 9-volt rectangular battery inside a 2 × 3¹/₄ × 1-inch plastic project case. A foil pattern has been provided here for those who want to make their own circuit boards.

Refer to parts placement diagram Fig. 5. Insert SCR1 so that its metal heatsink faces neon lamp NE2. When inserting electrolytic capacitor C1 and diodes D1 and D2, observe their polarities. Mount resistor R1 vertically on the circuit board. Solder all components and trim excess lead lengths.

Refer back to the schematic Fig. 4, and wire the leads of capacitors C3 to C8 and diodes D3 to D8 together mechanically to form a rigid unit according to the schematic. Keep all exposed lead lengths about ¼-inch long. Then solder the network together as rapidly as possible to avoid applying damaging excessive heat to the capacitors and diodes. The cathodes of some diodes are identified with a red dot on the cathode lead.

Figure 6 shows the completed power supply with the tripler network to the right of the board. Battery B1 and switch S1, both off-board components, are not shown. Solder one lead from C3 and one lead from C6 in the tripler network to the terminal points on the circuit board, as shown in Fig. 5. (The tripler will be potted in silicone after the system has been tested.)

NOTE: The image converter tube in the active night-vision scope shown in Fig. 2 requires a positive ground. If you build this unit, reverse diodes D3 to D8 to convert the supply from one with a positive to a negative output with respect to ground.

Mechanical assembly.

Drill a hole in the body of the plastic project case for mounting the miniature toggle switch S1. The location of the switch is not critical, but it should not interfere with the other components. In the passive night-vision scope, it was positioned at the end of the case facing the eyepiece.

Drill the hole in the case for mounting it to the passive scope body with a single screw. The hole for this screw, already drilled and tapped in the body of the scope, is located under the coupling bracket. Drill another hole large enough to pass the power cable to the image tube. Its location will depend on the project you build. Mount switch S1 in the sidewall of the case. Fasten the case to the passive viewer with a screw. If you build the active viewer, cement the case to the scope body with epoxy, as shown in Fig. 2.

Cut the supply lead from the scope about 6 inches long, and strip back about 1 inch of the jacket to expose the braid and the insulated central conductor. Twist the braid into a lead and insulate it with a length of plastic tubing. Insert the cable lead into the project box, solder the braid to the ground connection of the circuit board, and solder the inner conductor to the high-voltage terminal of the tripler network, as shown in Fig. 4.

Verify that there are no short circuits in the construction of the tripler and that the leads are spaced by at least 1/4-inch from each other. Wire toggle switch S1 in series with the positive lead from the battery clip. Cut the battery leads from the circuit board so they are long

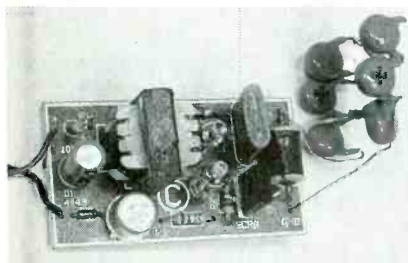


FIG. 6—COMPLETE HIGH-VOLTAGE power supply circuit board with the voltage-tripler, diode-capacitor network shown unpotted at right.

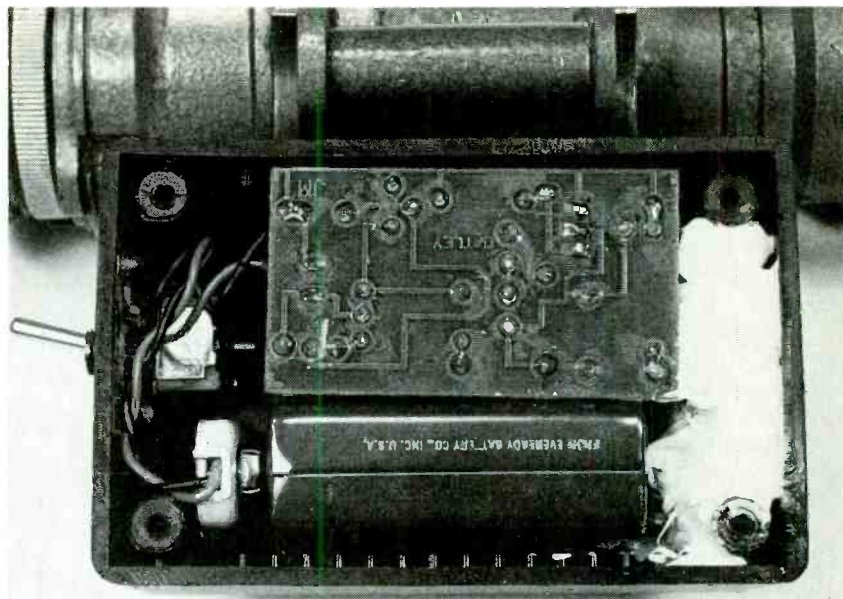
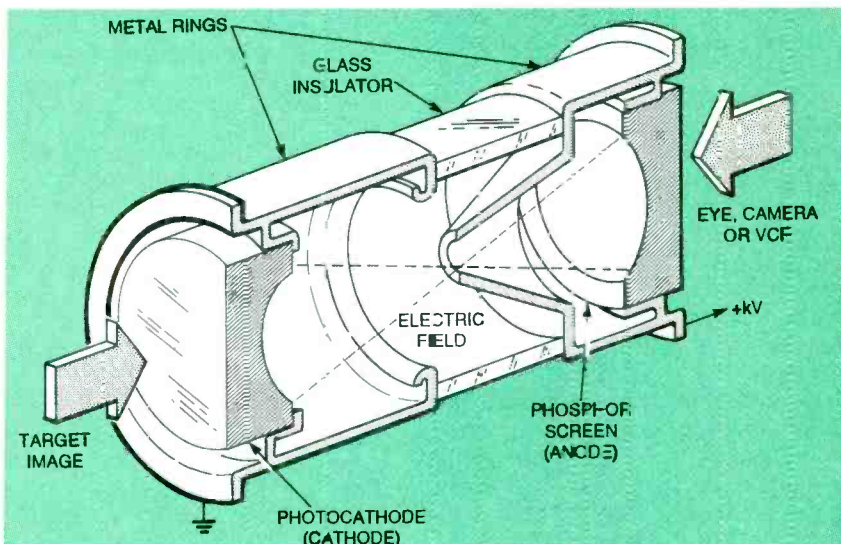


FIG. 7—POWER SUPPLY CIRCUIT, battery, and switch in the project case. The tripler network potted in silicone is shown as the white patch at right.



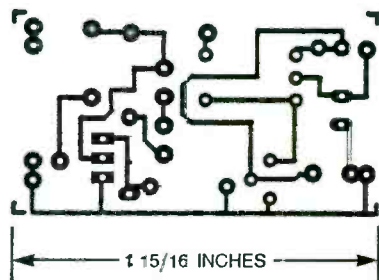
CUTAWAY VIEW OF SINGLE-STAGE image tube showing the position of its key parts.

enough to permit lifting the circuit board out of the case. Insert the battery and wiring in the case, but leave the tripler network and circuit board outside temporarily.

Test and checkout

After rechecking your work and verifying the polarities and orientation of all components, snap the battery to the battery clip. The current drain on a 9-volt alkaline transistor battery should be about 20 milliamperes in a correct circuit.

WARNING! The power supply described in this article produces an output voltage of



FOIL PATTERN FOR POWER SUPPLY circuit board.

about 13.5 kilovolts, and is capable of giving you a startling electric shock. While not normally life-threatening, it can have a temporarily debilitating effect. Consequently, treat it

with respect and always make sure switch S1 is off and the capacitors are discharged before handling the circuit board.

When you switch on S1, a corona discharge might appear around the tripler network. This is non-destructive, but avoid electrical shock by keeping your hands away from that part of the circuit.

Alternatively, you can test the power supply by placing a wire connected to the circuit's ground bus close to the high-voltage output lead. It should produce an arc as much as 1/4-inch long.

When the switch is off, connect the ground wire directly to the high-voltage output to discharge all the capacitors. Because of the short-duty cycle discharge pulses, the illumination of neon lamps NE1 and NE2 will be visible only in darkness.

If power supplies have been built and installed correctly, the phosphor screen of the image tube should emit a green glow, whether or not light is incident on the cathode. The green glow persists for a about a minute after the power has been switched off, indicating that sufficient voltage still exists between the anode and cathode to form an image.

If, after following the directions closely and checking your workmanship, the scope still doesn't work, check the voltages at the base and collector of transistor Q1 with a digital voltmeter. The values shown on the schematic, Fig. 4, are DC values expected with a 9-volt power supply.

Do not attempt to measure the high-voltage output directly unless you have a suitable high-voltage probe on your meter. The waveforms shown were also obtained with a 9-volt supply. If you don't have an oscilloscope available, measure the AC voltage at the test points shown on Fig. 4.

The reading on most digital voltmeters will be RMS values, but they will give you a valid indication if there is a signal. The AC voltage at the cathode of D2 (to ground) of the prototype measured about 45 volts RMS

IMAGE CONVERTER AND INTENSIFIER TUBES

An image tube is a vacuum tube that converts an image in one part of the electromagnetic spectrum to another part of the spectrum, usually with an increase in intensity. If, for example, you want to convert a near-infrared (IR) image to a visible light image, you would use an *image converter tube*. This is the tube in the active night-vision scope described in this article. However, the scene must be illuminated by an infrared source if the scope is to function.

However, if you just want to intensify a scene in darkness you would use an *image intensifier tube*, the kind included in the passive night-vision scope described here. The figure shows a simplified cutaway view of this kind of tube. While it is also sensitive to near IR, it is still called an image intensifier.

Both tubes have photoemissive input surfaces at their cathode ends that form an electron image of the scene being viewed when a voltage of 4 to 20 kilovolts is applied between the cathode and anode. Photons from the scene or target are focused on the photocathode which triggers an avalanche of electrons. The anode accelerates the cascaded electron emission from the photocathode and focuses them on a phosphor screen to display the image.

Image tubes are now made in many different sizes with different photocathodes, electron focusing techniques, and gain mechanisms. The tubes in the night-vision scopes described here are examples of first (or zero) generation, single-stage converters that are electrostatically focused. More advanced tubes obtain higher gain by cascading two or more converter stages.

For night-vision applications, the earlier generations of image tubes had simple glass lenses and S25 photocathodes that closely match the peak sensitivity of the human eye. These tubes produce a high-definition black and green image. The latest versions now have fiber-optic lenses, gallium-arsenide photocathodes, and gain stages called *microchannel plates*.

In night-vision scopes, the image must be formed on the cathode by an objective lens similar to a camera lens, and the scene is viewed at the anode end with an eyepiece.

It is important to remember that no passive image intensifier tube will work in complete darkness. It must gain enough light from natural background sources to work. These might only be barely perceptible even to the night-adapted human eye. The sources could be faint sky glow on a cloudy night, starlight on a clear night or moonlight.

on a DMM. The AC voltage at the base of Q1 was about 0.45 volt RMS.

When the scope is working properly, switch off the power and wait for the tube to discharge completely. Insert the tripler section carefully inside the case as shown at the right side of Fig. 7. Encapsulate it with neutral-cure, room-temperature vulcanizing (RTV) silicone potting compound to prevent high-voltage corona and discharge, which increases with relative humidity. The compound will also fasten the tripler network inside of the case.

Viewing with the scope

The lens of the surplus Russian passive night-vision scope specified in this article is focused to infinity, making it useful for viewing images more than a few meters away. By loosening a small locking screw, the lens can be adjusted. This will permit viewing objects more than 100 meters away under near starlight illumination.

Imaging tubes will be damaged if they are exposed to bright light for long periods. Don't use either scope in sunlight, or even in well lighted rooms. Always cover both ends of a night-vision scope with suitable lens caps when it is not in use to keep the imaging tube in darkness. The monocular passive scope offered by the source given in the parts list has a rubber lens cap that can be snapped in place. It also has a focusing eyepiece.

Both of the night-vision scopes will detect IR energy, so they can verify the operation of stereo and TV remote controls. In a darkened room, point the emitting face of the control at the scope. A pulsing green light will be seen when any of the remote control's keys are pressed. A TV remote control can also serve as a temporary IR illuminator.

IR light source

A better IR source can be made by covering a flashlight with an IR filter. You can pur-

Continued on page 73

Complete, practical, and effective training, only from NRI

High Demand, Big Money — Get into Computer Service!

FAST 486sx/25 MHz PENTIUM-READY COMPUTER

Features space-saving mini-tower design, IBM compatibility, dependable 80486sx Intel CPU, and high-density 3.5" floppy disk drive

SUPER VGA COLOR MONITOR

With .28mm dot pitch for high-resolution graphics and tilt-swivel base

200 MEG HARD DRIVE

For greater data storage capacity and data access speed

NRI LESSONS, JUST UPDATED AND EXPANDED

Clearcut, illustrated texts build your understanding of computers step by step

PROFESSIONAL SOFTWARE PACKAGES

MS-DOS 6.2, QBasic, and Microsoft Works for all your operating, programming, and applications needs

EXCITING MULTIMEDIA PERIPHERALS

Double-speed CD-ROM drive, 8-bit sound card with speakers, and a reference CD

NRI DISCOVERY LAB

Complete breadboarding system to let you design and modify circuits, diagnose and repair faults

DIGITAL MULTIMETER

Professional, hand-held test instrument for quick and easy measurements

DIGITAL LOGIC PROBE

Simplifies analyzing digital circuit operation

ULTRA-X DIAGNOSTIC PACKAGE

R.A.C.E.R. plug-in card and QuickTech software help you detect problems on virtually all IBM-compatible machines, even if computer is 5% operational. This professional diagnostic package retails for \$795!

Reap the benefits of experience — train with the leader

Having pioneered at-home training in computer servicing, NRI knows how to prepare you for today's real-world challenges — by giving you the opportunity to explore the inside of a powerful 486sx computer to see what makes it tick, what can go wrong, and how you can fix it.

It's true: NRI offers the *only* computer servicing course with actual experiments using state-of-the-art computer equipment and the most advanced, most sophisticated professional diagnostic tools you'll find anywhere.

You work "hands-on" with today's sought-after technology...get feedback on your progress from your personal instructor...master the latest troubleshooting techniques...explore exciting new computer applications, including multimedia...and much more!

There's no comparison: NRI students build the most powerful, reliable, and full-featured computer system available in home study today

The centerpiece of your NRI training equipment is an IBM-compatible 486sx/25 MHz mini-tower computer system that you put through a series of hands-on experiments and demonstrations — while assembling and testing it yourself! Fundamental to NRI's innovative Discovery Learning Method, these interactive projects build not only your skills, but also a confidence you'll take with you to the job.

■ First, you explore the Pentium Overdrive-ready motherboard (now configured for easy upgrading), connect the enhanced keyboard, test the 80486sx Intel CPU, and install both the power supply and 3.5" floppy disk drive. But that's not all.

- You then interface the 200 meg hard drive we've included in your course to greatly increase your computer's storage capacity while giving you lightning-quick data access.
- You go on to connect the Super VGA color monitor and CD-ROM drive with sound card and speakers. Now your computer will come to life with a dramatic video display and bold audio capabilities.



Ultimately, you have at your command a system with the most powerful, versatile, and sought-after features on the market today.

Find out more about NRI — the time is right!

Studies show that jobs for computer service technicians are on the rise, much more so than other occupations. As a matter of fact, a 38% increase is expected in the next 10 years! So there's no time to wait. Fill out and send the enclosed card today. Soon you'll receive a big, full-color catalog detailing all you need to know about the best training option available...anywhere!

See other side for more! ➡



SEND CARD TODAY FOR FREE NRI CATALOG

NRI Schools

McGraw-Hill Continuing Education Center
4401 Connecticut Avenue, NW
Washington, DC 20008



For career courses approved under GI Bill, check for details.

Check one FREE catalog only

- Microcomputer Servicing
- TV/Video/Audio Servicing
- Industrial Electronics & Robotics
- Basic Electronics
- Computer-Aided Drafting
- Computer Programming
- Desktop Publishing & Design
- PC Applications Specialist
- Bookkeeping & Accounting
- Programming in C++

Name _____ (please print) _____ Age _____

Address _____

City _____ State _____ Zip _____

Accredited Member, National Home Study Council

3-109*

NRI makes it easy to start a new career as a computer service technician

Training so well-rounded, even beginners feel at ease

Training with NRI is stress-free because you're never overwhelmed. You get a solid foundation in electronics and computers through bite-sized lessons that cover every base, from upgrading to peripheral repair, from virus protection to fixing RAM problems. Constantly updated, these lessons will serve as valuable references throughout your new career.



with the kind of computer, peripherals, software, and diagnostic equipment you'll be using and servicing in the real world.

As you explore circuitry, assemble your computer, and learn to use the Ultra-X tools, multimedia peripherals, and software programs included in your course, you'll quickly gain a competitive edge over all those who learned "by the book" only. This edge will enable you to begin earning good money as a computer service professional *before you even complete your training program!* That's

yet another reason why NRI's exclusive Discovery Learning Method is so rewarding.

Send today for NRI's free catalog!

Learn more about how NRI can help you create the kind of successful future you deserve.

And remember, NRI has many interactive training options available to you. Check the box next to the field that interests you most!

Learn by doing, the NRI way

Only NRI can assure your success because only NRI gives you hands-on experience



NRI's exclusive Discovery Lab, along with a digital multimeter and digital logic probe, acquaint you with the electronics principles behind today's computer technology.



You train with and keep top-of-the-line professional diagnostic equipment from Ultra-X — the R.A.C.E.R. plug-in card and QuickTech diagnostic software. These ingenious tools help you quickly locate and correct defects in IBM-compatible machines, even if they're only 5% operational!



And you work with the most trusted names in operating, programming, and applications software: MS-DOS 6.2, QBasic, and Microsoft Works, with word processing, spreadsheet, database, and communications programs.

SEND CARD TODAY FOR FREE NRI CATALOG



BUSINESS REPLY MAIL

FIRST CLASS MAIL PERMIT NO. 10008 WASHINGTON, D.C.

POSTAGE WILL BE PAID BY ADDRESSEE

NRI Schools

McGraw-Hill Continuing Education Center
4401 Connecticut Avenue, NW
Washington, DC 20078-3543

NO POSTAGE
NECESSARY
IF MAILED
IN THE
UNITED STATES



If the card is missing, write to:

NRI Schools



McGraw-Hill Continuing Education Center
4401 Connecticut Avenue, NW
Washington, DC 20008

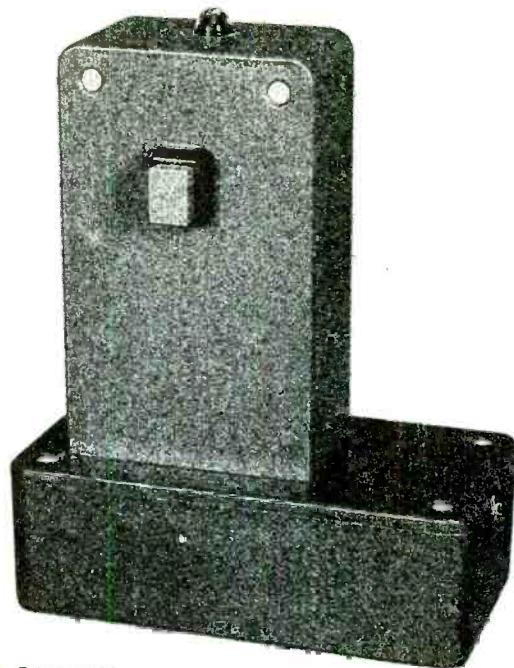
IBM is a registered trademark of International Business Machines Corp. R.A.C.E.R. and QuickTech are registered trademarks of Ultra-X, Inc. Intel Inside is a trademark of the Intel Corp.

CARD 102



AUTOMATIC RECHARGEABLE FLASHLIGHT

Build this combination rechargeable emergency light/flashlight with a bright, high-efficiency LED lamp.



MARC SPIWAK

A BRIGHT LIGHT-EMITTING DIODE (LED) with a rechargeable battery and recharging circuitry in one module and a step-down transformer for battery recharging in a second module form this unusual combination emergency light/flashlight, the subject of this article. The LED in the portable module turns on automatically when it is removed from the transformer module. Its light source is a high-intensity, aluminum gallium arsenide (AlGaAs) LED that can beam a saucer-sized red spot on a wall three feet away.

The Hewlett-Packard HLMP-8150 red, T4-size LED lamp emits a typical intensity of 15 candelas (cd) at 20 milliamperes. (This compares with about 4 millicandelas (mcd) from a typical gallium arsenide phosphide (GaAsP) red T1¾-size LED lamp.) See the sidebar "What is a candela."

The forward voltage of the LED is only 1.85 volts. It offers longer life and lower power dissipation and cooler operation than an incandescent lamp, the usual light source for most flashlights and emergency lights. Its clear, nondiffused, bullet-shaped lens focuses the light into a narrow, intense 4° beam. The LED's dominant red (637-nanometer) wavelength will not disturb the eye's adaptation to night viewing.

A flashlight with a high-intensity LED lamp would probably not be your first choice as an illumination source for exploring under the hood of your car at night to find out why it won't start. Moreover, you'd probably find the light inadequate for searching for lost objects or summoning help at night.

However, it will provide enough light for you to read a roadmap or find the circuit breaker that kicked out, darkening your house. It might also help you find your way around a campsite, or even change a tire at night.

The LED flashlight module is powered by four AA nickel-cadmium (Ni-Cd) power cells. Be-

cause each cell has a nominal output of 1.2 volts, four cells in series provide about a 4.8-volts.

Flashlight module

Figure 1 is the schematic for the flashlight module. When the battery pack consisting of the four Ni-Cd cells is fully charged (and there is no voltage at J1), 4.8-volt DC flows through trimmer potentiometer R2, the normally closed contact of relay RY1, and push-on, push off power switch S1. Trimmer R2 limits the current flowing through LED1. Switch S1 can turn LED1 on and off when the battery is not being charged. (The trimming function of R2 will be discussed later.)

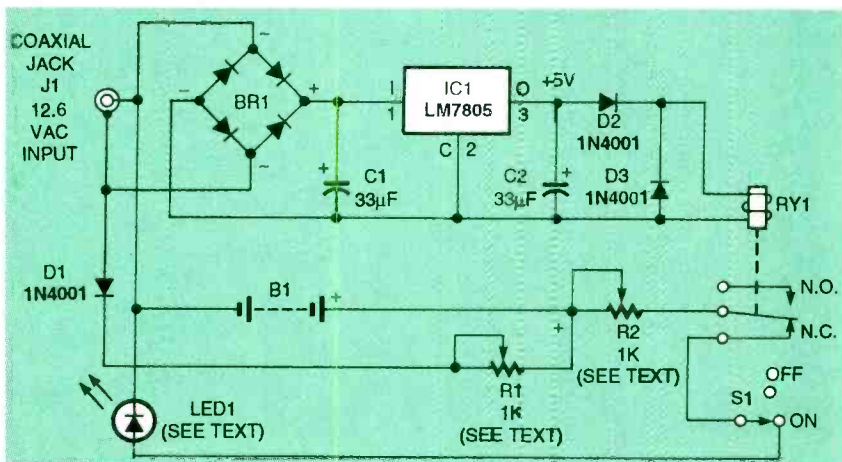


FIG. 1—SCHEMATIC FOR FLASHLIGHT MODULE. When relay RY1 is energized, it cuts the power to the LED; when power to the relay is removed, the LED lights.

If 12.6-volts AC is present at J1, it is full-wave rectified by bridge rectifier BR1. Capacitor C1 smooths the rectified AC ripple. Five-volt regulator IC1, a National Semiconductor LM7805, provides the 5-volt DC output.

This output, sustained by C2, energizes the coil of relay RY1, which opens the normally closed contacts. Diodes D2 and D3 stabilize the relay. When the NC contacts of the relay open, power to LED1 is cut off—even if S1 is in its ON position. The values of C1 and C2 in the pro-

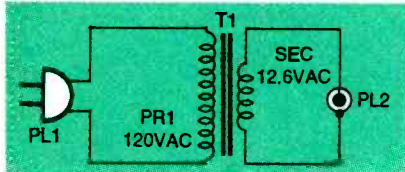


FIG. 2—SCHEMATIC for transformer module. The 12.6-volt output from coaxial plug PL2 powers the flashlight when it is mated with jack J1 on the transformer module.

TOTYPE are 33 μ F, but they are not critical values. Any capacitor from 20 to 40 μ F would work.

When the relay is energized, AC power from J1 flowing through D1 is half-wave rectified to form a pulsed-DC output for charging the Ni-Cd cells. Potentiometer R1 limits the charging current to the cells. A voltage of 12.6 volts is enough to charge the 4.8-volt battery pack.

When the batteries are being charged, the relay is energized, inhibiting LED illumination. When charging current is removed, the relay provides a conducting path to the LED. Thus the LED turns on whenever the AC-line voltage is cut off if S1 is ON.

Transformer module

Figure 2 is the schematic for the transformer module. Line

voltage taken from a 120-volt AC outlet is transformed to 12.6-volt AC by transformer T1. The line cord is terminated with plug PL1, and the 12.6-volt AC appears at coaxial power plug PL2. The plug mates with coaxial jack J1 on the flashlight module for recharging. As long as the transformer module is plugged into the AC line, 12.6-volts AC appears. When PL2 is plugged into J1, 12.6 volts appears at J1.

Building the flashlight

Refer to Fig. 3. The modular case for the flashlight measures $4\frac{3}{4} \times 2\frac{1}{2} \times 1\frac{3}{8}$ inches, and has four raised round surfaces molded on its bottom surface that act as feet. Sand or file these bumps flush with the bottom surface so they will not interfere with the insertion or removal of the flashlight module from the transformer module.

Cut out an approximately $\frac{1}{2}$ -inch diameter hole in one end wall of the case to admit the LED lens and a second hole in the opposite end wall for jack J1, as shown in Fig. 3. When cutting the hole for the jack, be sure the center conductor rather than the body of the jack is centered on the end wall. Drill the two mounting holes for the jack.

Cut a piece of perforated construction board $3\frac{1}{2} \times 2\frac{1}{4}$ inches to fit snugly in the bottom of the case. Insert the electronic components for the flashlight on that board, and connect them by point-to-point wiring.

Mount LED1 on the end of the board, and solder it so that its leads can later be bent at right angles to permit the lens to extend through the hole in the case. Figure 3 shows the locations of the largest electronic components, but their locations are not critical.

Make only mechanical connections to potentiometers R1 and R2 so you can later put an ammeter in series with them to adjust both charging and LED forward current. Fasten the battery holder for four AA cells on the board with double-sided adhesive tape.

Cut a hole in the plastic cover,

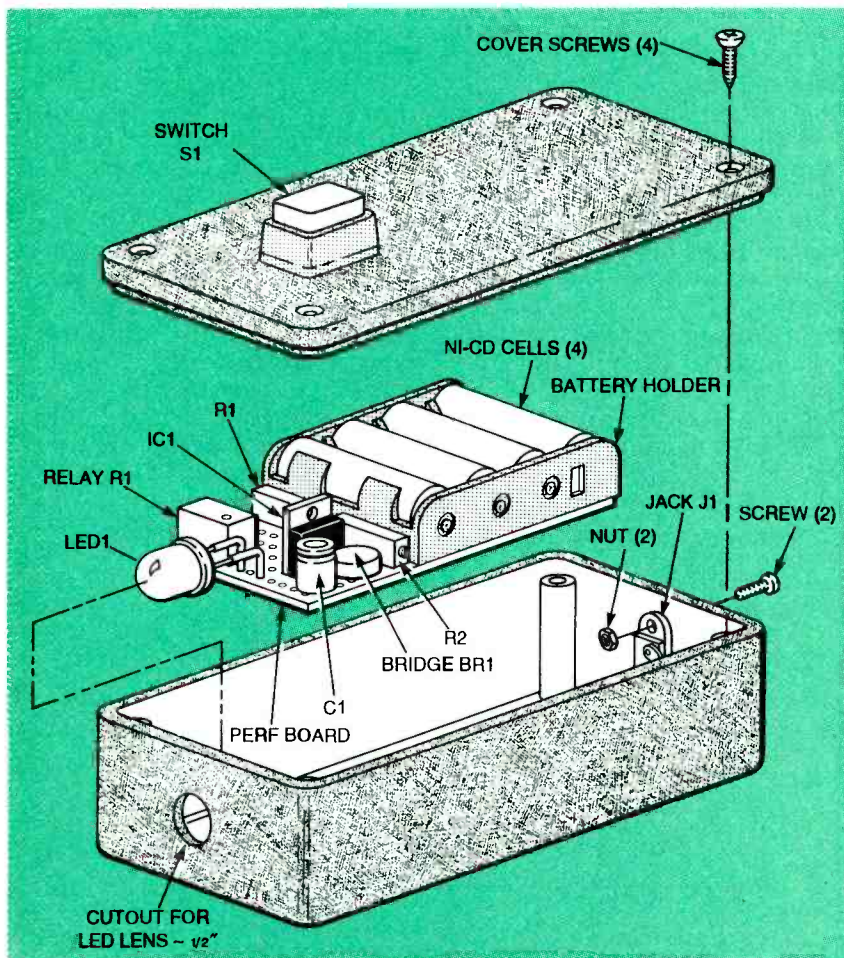


FIG. 3—FLASHLIGHT MODULE ASSEMBLY. The circuit board contains the electronic components and battery holder. The LED lens projects through a hole in the case. Jack J1 is at the other end of case, and switch S1 is on the cover.

and fasten the push-on, push-off switch S1 in position with a ring nut. Fasten jack J1 in the case with small screws and nuts.

Complete all of the wiring to the switch S1 and jack J1 according to schematic Fig. 1, allowing enough slack in the wires to permit the board to be removed for later adjustments. Fasten the circuit board to the bottom of the case with double-sided adhesive tape, and carefully bend the leads of the LED so that the lens projects through the end hole in the case.

Building the XFMR module

Refer to the transformer assembly drawing Fig. 4. Cut a 1/8-inch diameter hole at one end of a second plastic project case that measures 4 3/4 x 2 1/2 x 1 3/8 inches to admit the line cord terminated by line plug PL1.

Cut a rectangular hole that measures approximately 2 9/16

PARTS LIST

Resistors

R1, R2—1000 ohms, multiturn potentiometer (A 1K resistor might be needed in series. See text)

Capacitors

C1, C2—33 μF, aluminum electrolytic (see text)

Semiconductors

IC1—LM7805 5-V regulator, National Semiconductor or equiv.

D1—D3—1N4001 rectifier diode

LED1—light-emitting diode, T-4 Hewlett Packard HLMP-8150 or equiv.

BR1—1A bridge rectifier, Radio Shack 276-1161 or equiv.

RY1—SPDT relay, 5-VDC, 90 mA coil, 55-ohm, Radio Shack 275-240 or equiv.

Other components

S1—SPST switch, push on/push off, Radio Shack 275-1565 or equiv.

B1—four AA Ni-Cd cells

J1—coaxial power jack, Radio Shack 274-1565 or equiv.

PL1—AC line cord

PL2—coaxial power plug, Radio Shack 274-1578 or equiv.

T1—120/12.6 VAC, 300 mA, transformer, Radio Shack 273-1385 or equiv.

Miscellaneous: two project cases (see text); perforated construction board; holder for four AA cells; adhesive pads, double-sided adhesive tape, screws and nuts; hookup wire; solder

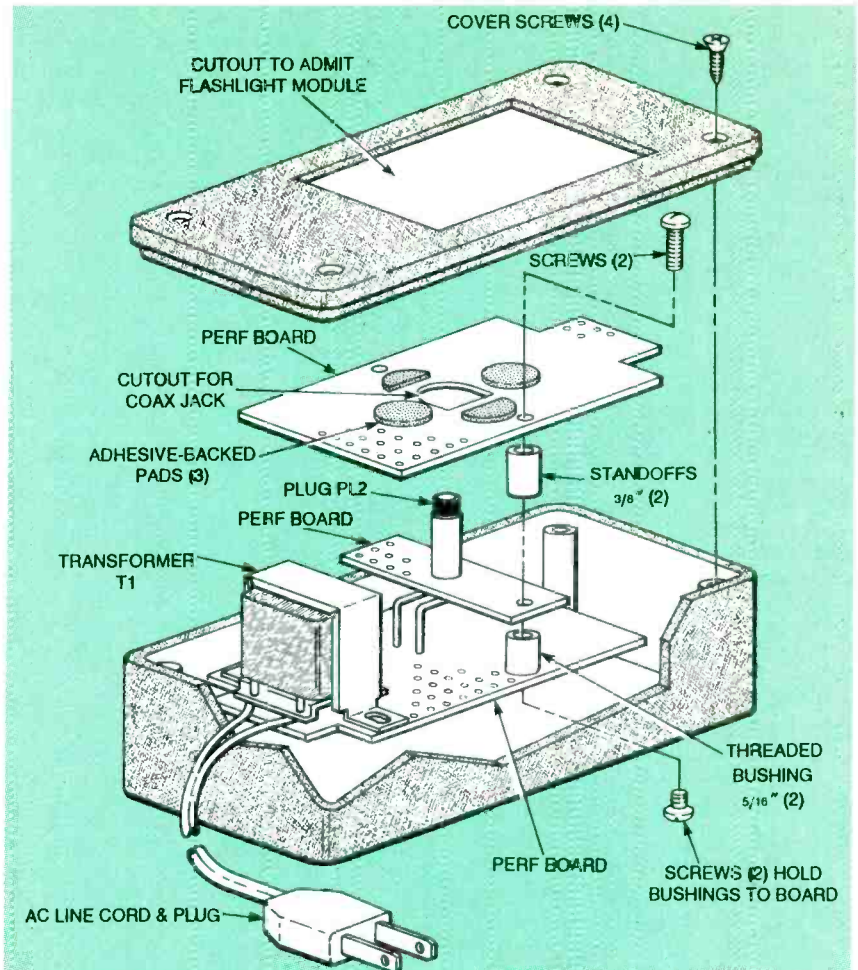
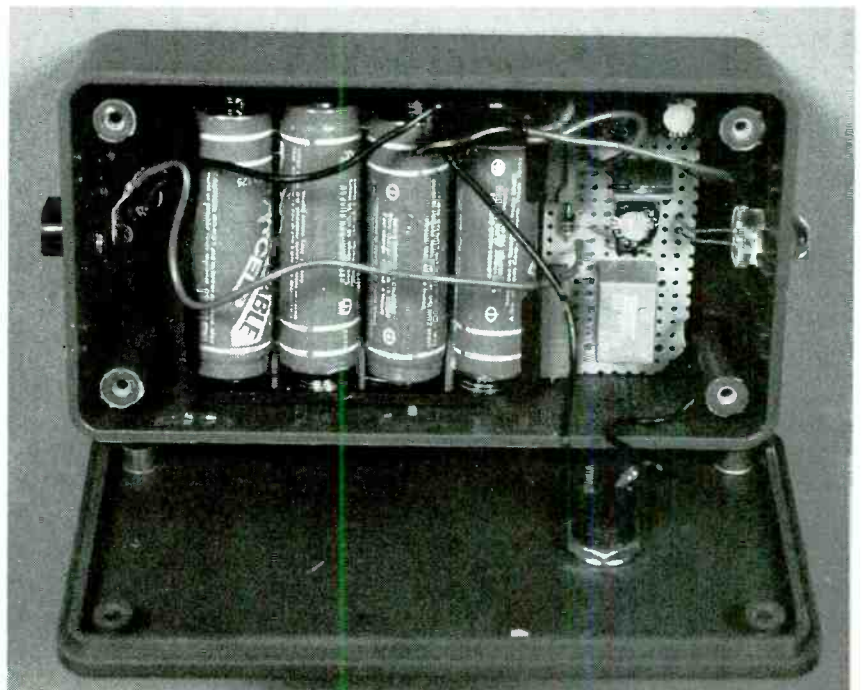


FIG 4—TRANSFORMER MODULE ASSEMBLY. A cutout in the cover admits the flashlight module. The upper board supports the flashlight when jack J1 is plugged into plug PL2 on the middle board. Transformer T1 is on the bottom board.



FLASHLIGHT MODULE with cover removed showing the four Ni-Cd cells, LED, and circuit components.

WHAT IS A CANDELA?

The amount of light produced by a light source is called *luminous intensity*. The standard for measuring luminous intensity is the *candela* (cd). It was formerly the *candle* based on the luminous intensity of a single wax candle. By comparison, a 40-watt light bulb has a luminous intensity of about 3000 candela.

The candela is the amount of light that shines out through a hole with an area of $\frac{1}{60}$ th of a square centimeter in one side of a ceramic box that has been heated to the temperature of molten platinum (1772°C). It is the basis for both the calculation of the *lumen* (lm) and the *foot-candle* (fc).

A 1-cd light source produces a 1-lm light beam that provides 1 fc of illumination on a 1 ft² area located on a radius of 1 foot from the source (1 fc = lm/ft²). The intensity of light falling on a surface varies inversely with the square of the distance between the source and the surface.

$\times 1\frac{9}{16}$ inches in the cover of the case so that it will admit the end of the flashlight module. Scribe the outline of the end dimensions of the case on the top of the cover with a sharp cutting tool, leaving a pronounced rectangular mark. Drill holes in the four corners and saw an "X" diagonally across the scribed marks with a fine coping saw. Snap off each of the four triangular-shaped pieces along the scored lines.

There are three perforated circuit boards in this module. The largest is positioned at the bottom of the case to support transformer T1, the middle one supports the plug PL2, and the upper one acts as a shelf and support for "docking" the flashlight module. These three boards will be fastened together to form a three-deck assembly with threaded bushings, standoffs, and screws.

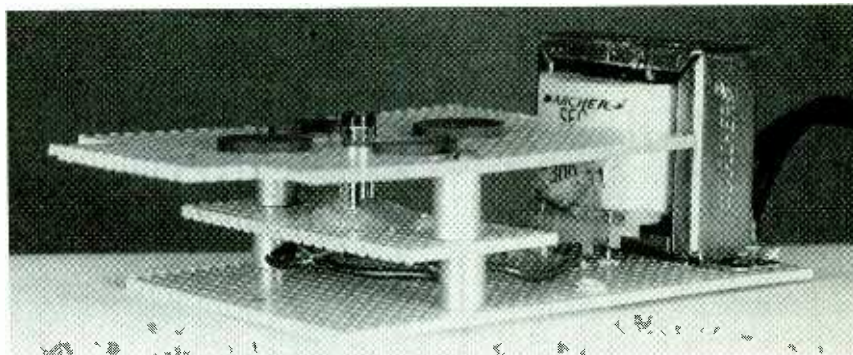
Cut the large base board from perforated board $3\frac{1}{2} \times 2\frac{1}{4}$ inches. Notch out two corners of the board so it can be positioned against one end wall of the case without interfering with the internal posts.

Cut the small board from perforated board $2\frac{1}{4} \times 1$ inch to form the plug support. Drill a central $\frac{1}{4}$ -inch hole to admit plug PL2 when the flashlight module is "docked."

Cut the upper deck from per-

forated board $2\frac{1}{4} \times 3$ inches. Notch out two corners at one end so it does not interfere with the posts at the other end of the case. Cut a $\frac{1}{2}$ -inch diameter hole in the center of the board to admit the outer shell of jack J1 when the flashlight module is "docked."

Stack the three boards as shown in Fig. 4, and drill holes on each side through all three boards to admit screws so the boards can be fastened in a three-deck stack.



THREE-DECK ASSEMBLY in transformer module permits "docking" the flashlight module.

Fasten the power plug (PL1) in a vertical position in the middle of the board with hot-melt glue. Mount transformer T1 on the lower board near one end, as shown in Fig. 4.

Trim the ends of the wires in the line cord to expose about $\frac{1}{8}$ inch of bare copper wire, and insert the cord through the hole in the case. Solder the leads to the primary terminals of T1. Cut two 5-inch lengths of insulated, stranded, hookup wire, and solder them to the secondary terminals of T1 and the terminals on plug PL2.

Assemble the three boards together to form the three-deck assembly. Fasten the lower threaded bushings to the top of the base board with screws from the underside of the board. Then assemble the second board on the bushings and place the top board in position with screws through the two standoffs.

When the assembly is complete, fasten it in the bottom of the case with double-sided adhesive tape. It can also be fastened with sheet metal screws through holes from the bottom

of the case. Place adhesive-backed plastic pads around the central hole on the upper board to cushion the "docking" procedure.

Current adjustments

Adjust potentiometer R1 first. (Potentiometer R2 can't be adjusted accurately until the battery is fully charged.) Before you insert the batteries in the holder, set R2 so that its maximum resistance value is in series with the LED.

Charge the Ni-Cd cells slowly at a 45-milliampere rate for 45 hours, or fast charge them at 150 milliamperes for four hours.

Once the battery is fully charged, set R1 for a trickle charge of about 10 milliamperes by temporarily inserting an ammeter in series with R1. If the current can't be set low enough, insert a fixed 1-kilohm resistor in series with R1—or use a potentiometer with a higher resistance value. Once R1 is set, solder it permanently.

Adjust R2. The forward current through the LED should not exceed 30 milliamperes. Set the maximum forward current to 300 milliamperes and adjust R2 as was done with R1. If the current can't be reduced low enough, add a 1-kilohm fixed resistor in series with R2. Then solder R2 permanently.

Plug the charger into an outlet, and set S1 in its ON position. LED1 should light when the flashlight module is removed from the charging module and go off when it is in the charger module. You now have a nifty emergency light/flashlight. Ω

RAY MARSTON

THIS ARTICLE PICKS UP WHERE LAST month's article on phase-locked loops left off. Last month the basic principles of the phase-locked-loop were explained and the functional sections of a popular CMOS PLL IC, the CD4046B were described. The circuits presented in that article showed various ways to configure the voltage-controlled oscillator (VCO) section of the CD4046B for practical frequency-dependent applications.

Sound-effects generators

The versatility of the VCO section of the CD4046B IC was explained last month. Its operating frequency can be swept over a very wide range under the control of voltages applied to pin 9. Moreover, its output can be gated on or off with a voltage applied to pin 5. These characteristics make the CD4046B suitable as the principle component in many different circuits for sound-effects generation. Figures 1 to 6 are schematics for sound-effects generators.

The circuit in Fig. 1 can emit a conventional siren sound. It produces a tone that rises slowly to a maximum value when S1 is closed, and falls slowly from that maximum to silence when S1 is opened.

This response is caused by the voltage on C1 that is applied to voltage-control pin 9. It rises exponentially through R1 when S1 is closed, and falls exponentially through R2 when S1 is opened. Resistor R3 ensures that the operating frequency falls to zero when the voltage at pin 9 is zero. The VCO output is AC coupled to the speaker

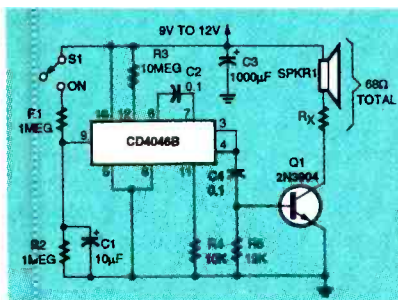
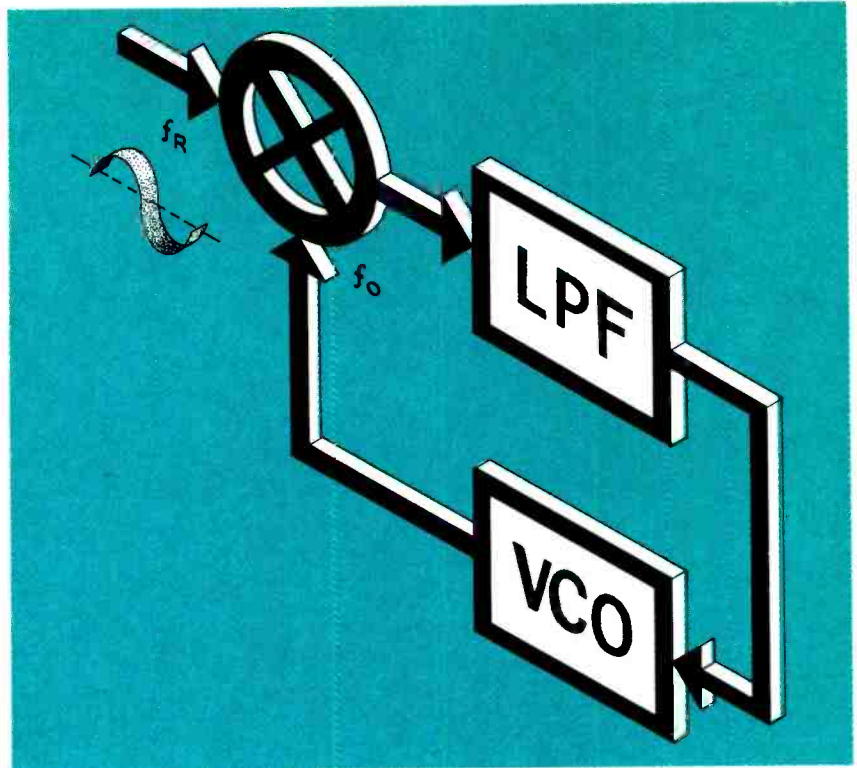


FIG. 1—ELECTRONIC SIREN CIRCUIT based on a CMOS CD4046B PLL IC.



PHASE-LOCKED LOOPS

Experiment with these phase-locked loop circuits, and put them to work in your designs.

through C4 and transistor Q1.

Figure 2 shows how the Fig. 1 circuit can be modified to give a quick response in which the frequency rapidly switches to its maximum value when S1 is closed (as C1 discharges exponentially through R3). Figure 3 shows another circuit modification that generates a "phasor" sound (similar to that heard aboard the starship Enterprise in the Star Trek TV series) when pushbutton switch S1 is closed. In this circuit, the CD4011B IC is configured as an astable multivibrator that is gated through S1. It produces a chain of 4 millisecond pulses at intervals of 70 milliseconds.

Each pulse rapidly charges capacitor C2 through R3 and D2 to produce a high tone which decays slowly as C2 dis-

charges through R5. The cycle is repeated again on the arrival of the next pulse.

Figure 4 shows a different kind of sound-generator circuit that can generate either a pulsed or warble tone, depending on the setting of S2. Pushbutton switch S1 simultaneously enables pin 5 of the CD4046B to gate on the CD4001B astable multivibrator which, in turn, applies a rectangular (alternately fully-high and fully-low) waveform to the IC's pin 9.

In the *pulsed* mode, the VCO generates zero frequency when pin 9 is low, but in the *warble* mode it generates a tone that is 20% lower than the high tone generated when pin 9 is low.

Figure 5 is a circuit that produces a special-effects run-

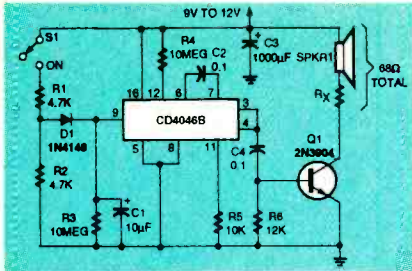


FIG. 2—QUICK-START SIREN CIRCUIT based on a CD4046B PLL IC.

down clicking sound like that of the big "wheels of fortune" seen in television game shows. The time between clicks is constant after pushbutton switch S1 is pressed. However, when S1 is released, the time between clicks increases as the "wheel" apparently slows to a standstill. The circuit operates as follows:

When PB1 is pressed, C1

rapidly charges to a high voltage through D2. Simultaneously, Q1 is biased on through the combination of D3 and R4, which connects R6 between pin 11 and ground. This makes the VCO operate at tens of kilohertz, effectively generating a random number of clock pulses.

When S1 is released, Q1 is turned off and the timing of the VCO is governed by R7. At the same time, C1 discharges rapidly to half the value of the supply voltage through R1, R2 and D1. This discharge causes the VCO to operate at about 100 Hz. Capacitor C1 then slowly discharges through R3, and the VCO frequency slowly decays to zero in about 15 seconds.

The output of the circuit in Fig. 5 can directly clock most counters. It can be directly coupled through R9 to an external crystal or ceramic transducer to produce low-level run-down sounds.

The circuit's output can settle in either the logic-zero or logic-one state when the run-down is complete. Therefore, the output should not be DC coupled to circuits such as power amplifier stages.

Figure 6 is a schematic showing how the circuit in Fig. 5 can be modified to ensure that its output always settles in the logic-zero when run-down is complete. This modification makes the circuit safe for direct-coupling the output to power amplifier stages.

In this circuit, the CA3140 operational amplifier is configured as a voltage comparator. It is set up to turn the VCO off automatically and drive its output low through pin 5 when the voltage at pin 9 falls below a reference value of about 2 volts. (It is set on pin 3 of the op-amp).

Special VCO circuits

The VCO section of the CD4046B is so versatile that it lends itself to a wide variety of special-purpose waveform generator applications. Figures 7 to 9 are examples of these circuits.

The circuit in Fig. 7 is a simple frequency shift keyed (FSK) square-wave generator. With the component values shown in

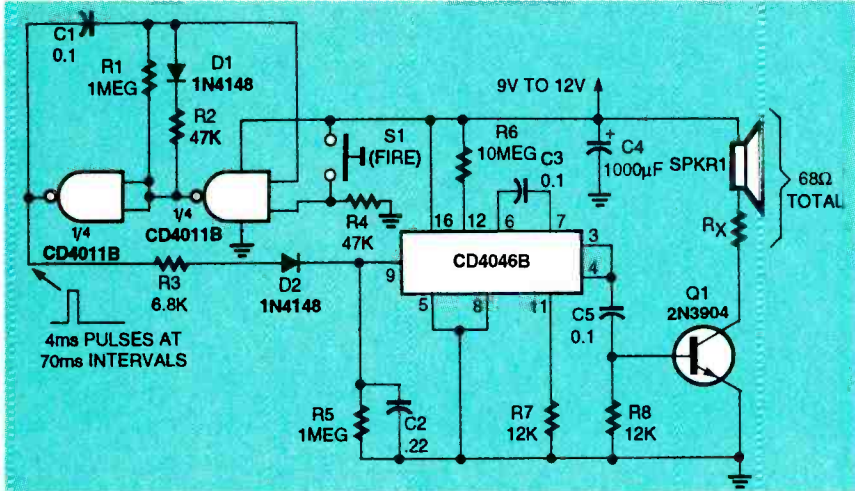


FIG. 3—PHASOR-SOUND GENERATOR circuit based on a CD4046B IC.

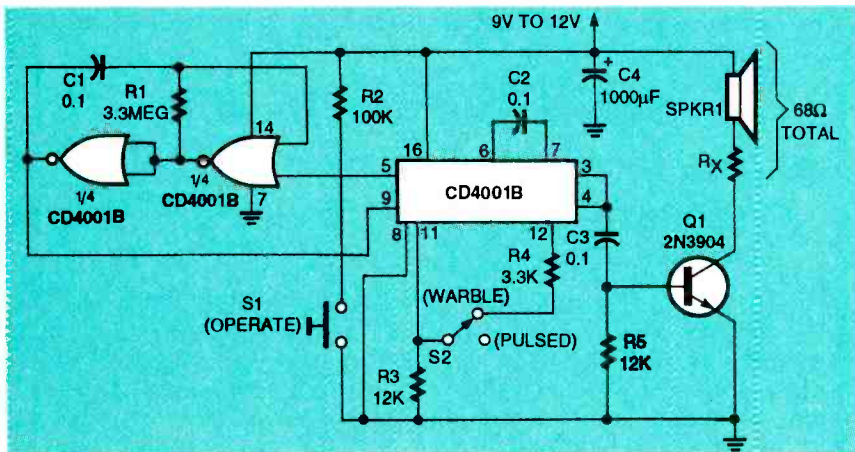


FIG. 4—COMBINED PULSED/WARBLE TONE alarm generator based on the CD4046B.

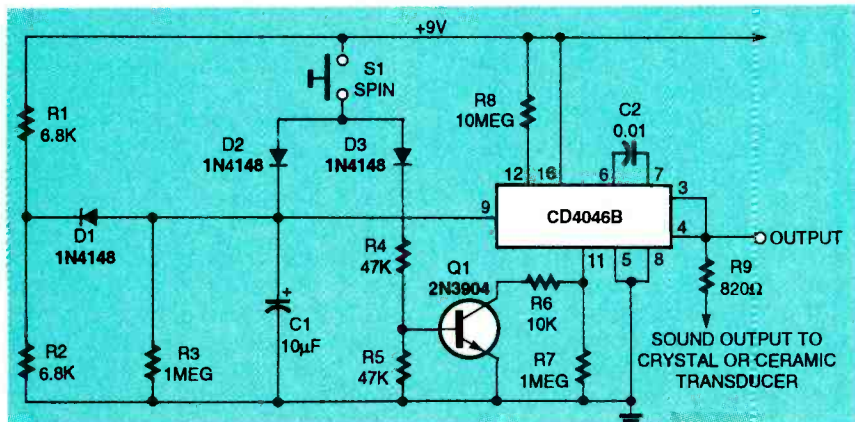


FIG. 5—RUN-DOWN CLOCK/SOUND generator circuit.

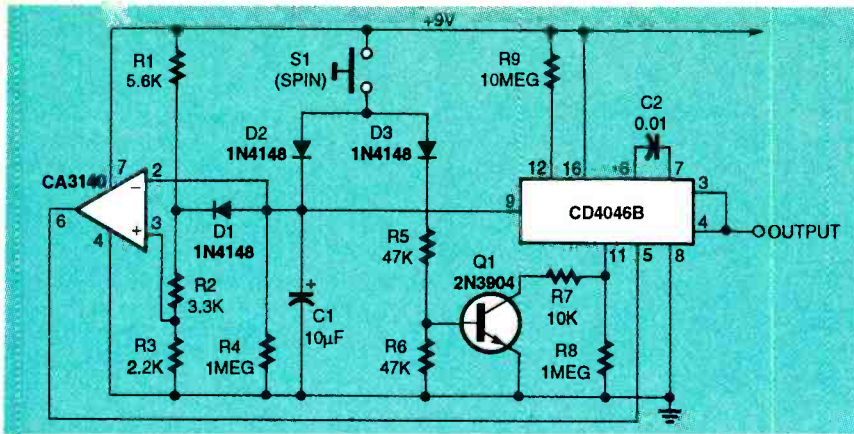


FIG. 6—MODIFIED RUN-DOWN generator circuit.

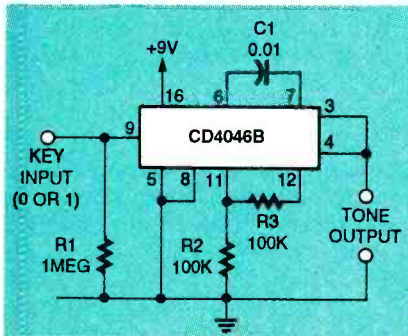


FIG. 7—FREQUENCY SHIFT KEYED (FSK) generator. Logic 0 = 1.2 kHz and logic 1 = 2.4 kHz.

this figure, the circuit will generate a tone frequency of 2.4 kHz when a logic-one signal is applied to pin 9. It will also generate a 1.2-kHz tone when a logic-zero signal is applied to the same point.

The high-frequency tone is set by the values of C1 and R2, and the low-frequency tone is set by the values of C1, R2, and R3. Other frequencies can be obtained by altering those component values.

The circuit in Fig. 8 is a 220-kHz frequency modulation (FM) waveform generator. The internal Zener diode at pin 15 of the CD4046B provides a stable power supply for the CD3140 op-amp, which is configured as a multiply-by-20 inverting AC amplifier. It has a quiescent bias of about 2.6 volts applied to its non-inverting A input at pin 3 through R2 and R3.

As a result, output pin 6 of the op-amp produces an approximate 2.6-volt potential that is amplitude modulated with an amplified ($\times 20$) version of the audio frequency input signal. This output is applied to volt-

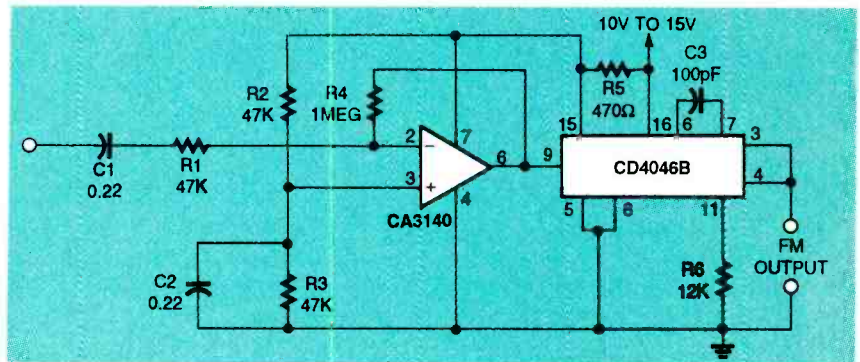


FIG. 8—FREQUENCY MODULATOR CIRCUIT generates 220 kHz.

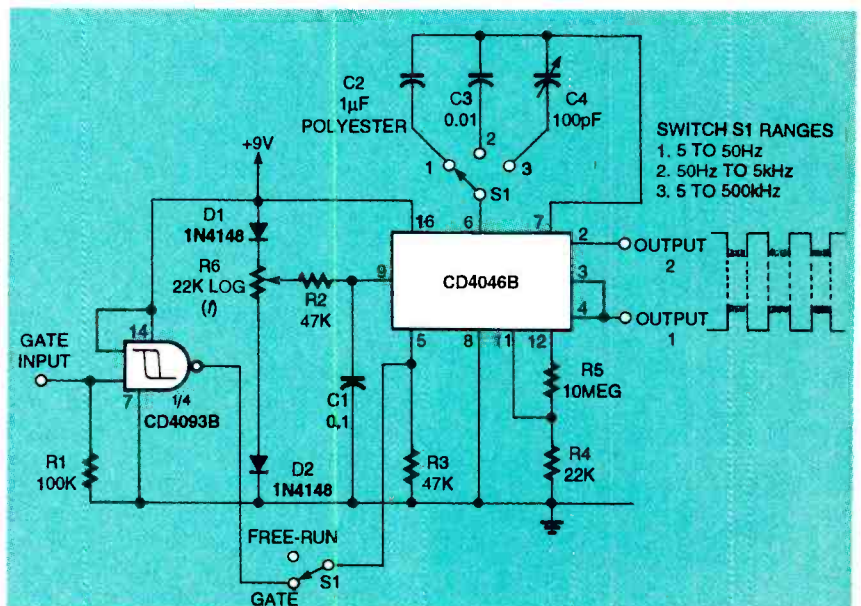


FIG. 9—UNIVERSAL CLOCK/SQUAREWAVE generator.

age-control input terminal pin 9 of the CD4046B's VCO. The component values of C3 and R6 were selected so that it generates a mean output "carrier" frequency of 220 kHz. This output frequency is modulated by the original AF input signal.

Figure 9 shows how the CD4046B VCO can be converted

to a wide-range, universal, squarewave "clock" generator that covers the nominal range 0.5 Hz to 500 kHz in three switch-selected bands. This circuit can be a useful test instrument that provides a two-phase output. It can operate in either the free-running or the gated modes.

Phase-locked circuits

The basic operating principles of the CMOS phase-locked loop (PLL) IC were explained last month. You should review that

article unless you have a clear understanding of those principles before you work with the circuits presented in the remainder of this article. They will make use of all of the PLL's circuitry.

Figure 10 shows the CD4046B organized as a wide-range signal tracker. It will com-

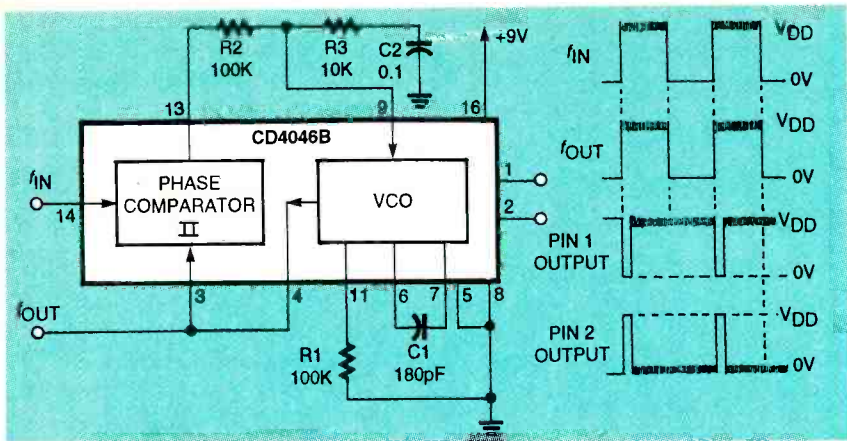


FIG. 10—WIDE-RANGE PLL SIGNAL TRACKER showing waveforms obtained when the loop is locked.

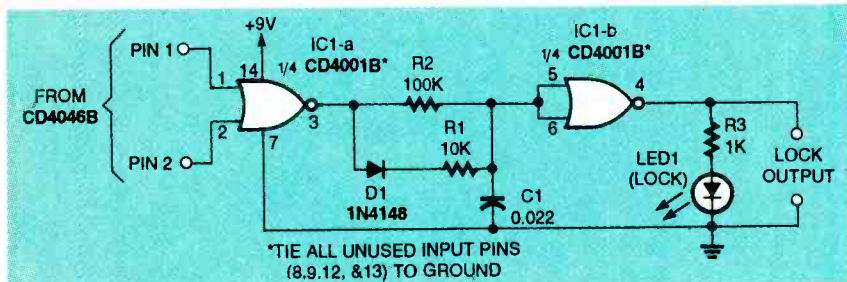


FIG. 11—PHASE-LOCKED LOOP "lock" detector/indicator.

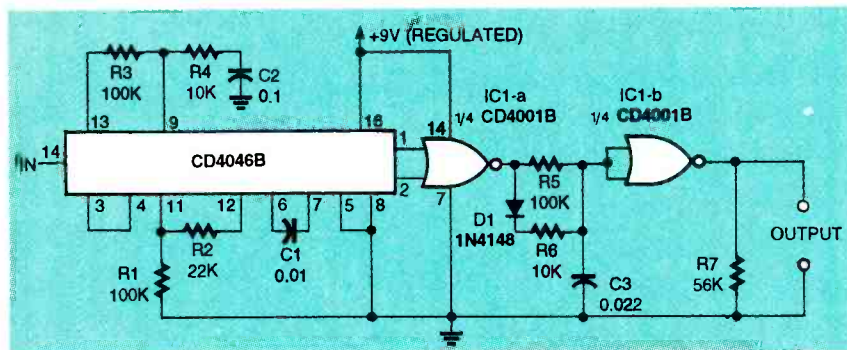


FIG. 12—PRECISION NARROW-BAND TONE SWITCH has a range of 1.8 kHz to 2.2 kHz.

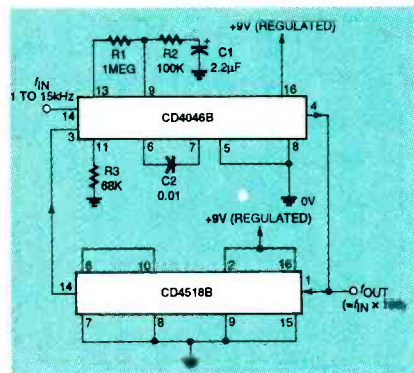


FIG. 13—A LOW FREQUENCY $\times 100$ multiplier/pre-scaler circuit.

pute and track any input signal from 100 Hz to 100 kHz, provided that the input signal to pin 14 switches fully between the zero and one logic levels.

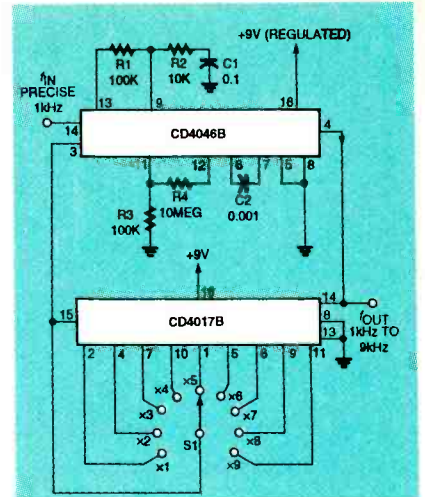


FIG. 14—FREQUENCY SYNTHESIZER covers a 1 to 9 kHz range.

to that obtained with pin 9 at the supply voltage (V_{DD}).

Figure 11 is a simple lock detector/indicator circuit that can be used in conjunction with the PLL circuit of Fig. 10. In the PLL, the output of each phase comparator is a series of pulses whose widths are proportional to the difference between its two input signals.

The output of phase comparator I is normally low, and that of phase comparator II is normally high, except for these pulses. When the PLL circuit is locked (see Fig. 10), the two outputs are almost perfect mirror images of each other.

In the lock detector/indicator circuit of Fig. 11, those features are implemented through two-input NOR gate IC1-a, which is driven from the outputs of the two comparators. If the loop is locked, the IC1-a output remains permanently low, thus driving IC1-b output high and turning on LED1.

If the loop is not locked, however, the IC1-a output is formed as a series of positive-going pulses that rapidly charge C1 through D1 and R1. This forces IC1-b low and holds LED1 off.

Figure 12 shows how a PLL circuit can be combined with a lock indicator to form a precision narrow-band tone switch. The VCO's maximum frequency is determined by R1 and C1, and the minimum frequency is determined by R1, R2, and C1.

The frequency is variable from about 1.8 kHz to 2.2 kHz

This circuit (and the others shown here) takes advantage of the internal wide-range phase comparator II. This circuit permits it to lock to any signal within the "span" range of the VCO. The filter formed by R2, R3, and C2 is organized as a sample-and-hold amplifier in this operating mode. Its component values determine the settling and tracking times of signal capture.

The VCO's operating frequency is determined by the values of R1 and C1 and the voltage on pin 9. The VCO "span" (and thus the capture and tracking range of the circuit) ranges from the VCO frequency value obtained with pin 9 at zero volts

with the component values shown in Fig. 12. The circuit can only lock to input signals within this frequency range.

Figures 13 and 14 are schematics for several practical *frequency multiplier* circuits. The circuit in Fig. 13 serves as a multiply by 100 frequency multiplier/prescaler that can change 1 Hz to 150 Hz input signals into 150 Hz to 15 kHz output signals.

The circuit in Fig. 14 is a simple frequency synthesizer. It is fed with a precise (crystal-derived) 1-kHz input signal, and its output is a whole-number multiple (in the range $\times 1$ to $\times 9$) of this signal. The CD4017B is organized as a programmable divide-by-N counter in this application. A single CD4017B can be replaced by a series of programmable decade counters to form a wide-range (10 Hz to 1 MHz) synthesizer. Ω

NIGHT VISION SCOPES

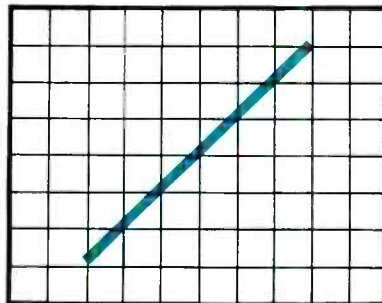
continued from page 62

chase a suitable IR filter at most retail camera stores, or you can stack four or five layers of completely exposed, developed film negatives between the incandescent lamp and flashlight lens. This film can be obtained as scrap from local photo developing shops. Cut four or five disks from this exposed film to fit inside the plastic or glass lens cap of your flashlight.

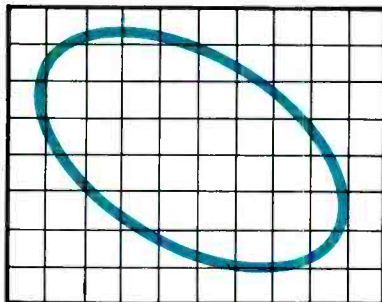
A complete kit of parts to build both of the scopes described in this article can be obtained from the source given in the parts list. If you elect to buy a surplus image tube to make a night-vision scope from scratch, purchase or obtain a "fast" camera lens and a magnifying glass for use as an eyepiece. You can then assemble all of these parts in a suitable metal or plastic tube. The power supply described here will power most imaging tubes, regardless of their size or country of origin. Ω

FUNCTION GENERATORS

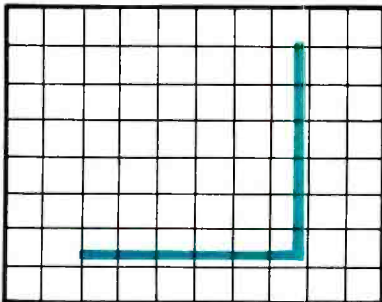
continued from page 50



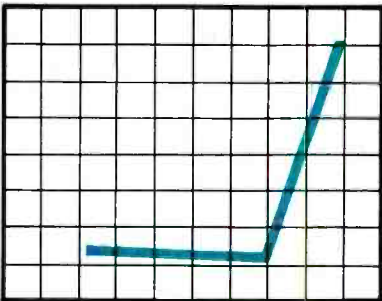
a



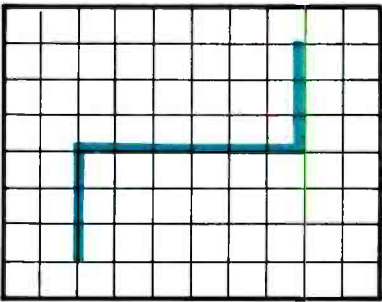
b



c



d



e

Note: A copy of B&K Precision's *Guidebook to Function Generators* will be sent to any reader free of charge by addressing a request in writing to Guidebook, B + K Precision, 6470 West Cortland Street, Chicago, IL 60635.

nature represents the forward voltage drop. The vertical part of the signature represents the forward current, and the horizontal part represents the reverse voltage drop.

In the waveform for the Zener diode in Fig. 9-d, the forward current is a function of the forward voltage. But when the reverse voltage equals the PN junction breakdown voltage, reverse current increases rapidly, producing a vertical line in the lower left quadrant of the screen. This line is the *break-over point* or Zener voltage, and it is established by the knee in the signature.

The signature technique can be applied to test and explain the operation of all electronic components. It is simple to use, it can speed troubleshooting, and it works well on unpowered circuit boards. Even electronic service centers operating under tight budget constraints can afford this method.

It is worth noting that two functionally identical ICs which seem to be operating normally can have different pin signatures because of differences in chip fabrication. You might encounter this when testing functionally identical ICs from different manufacturers. Different signatures do not necessarily indicate a device fault.

With experience in the careful interpretation of signatures, signature analysis can help you to identify defective components quickly—even those with marginal problems. Defective ICs (open-circuited or short-circuited) can be isolated rapidly by persons with little or no experience doing this. Ω

FIG. 9—NORMALIZED CURRENT VS. VOLTAGE SIGNATURES for electronic components: resistor (a), inductor or capacitor (b), silicon signal diode (c), light-emitting diode (d), and Zener diode (e).

PHONE-CALL RESTRICTOR

continued from page 56

prototype unit. Run the wires through the slots and assemble the two halves of the case.

Operation

Locate a suitable phone jack in your home or business and plug in the phone cord of the Telephone Call Restrictor. Put it in a location that is not accessible to those whose phone access you wish to control, and plug the wall adapter into an AC outlet.

Refer to Table 1 for the set of programming commands that can be entered from your Touch-Tone phone. Initially, before programming, set the call restrictor to the "Allow Group" mode. Because there have not been any numbers entered into the EEPROM, all numbers that someone attempts to dial will be blocked. Pick up the phone and

try to dial any number. You should hear a tone after pressing the first digit, and a busy signal will be placed on the line to prevent you from completing the call. If that does not occur, the call restrictor is not operating properly.

Make a list in advance of the telephone numbers that you want to either block or allow. If you want to add or remove numbers, that list will come in handy. When programming the unit, LED1 will light immediately prior to the input of telephone numbers and/or password, indicating that the circuit is in the programming mode and that a valid password has been entered (if applicable). Until you decide on a password and have entered it into the EEPROM, omit this number wherever it appears in the programming sequence in Table 1. Be careful not to enter a password and then forget the number. If that occurs, you will

have to replace the EEPROM with a blank chip.

The EEPROM has enough memory to hold 248 characters including the # sign which separates the telephone numbers.

You can enter full 7- or 11-digit numbers, or you can enter partial numbers such as 786, and all numbers beginning with that prefix will be considered part of the list. A prefix can be any length; entering 1-900 will add all 900 numbers to the list, while entering 1-9 will add all numbers beginning with 1-9 (1-900, 1-976, 1-905, etc.).

At any time you can bypass the call restrictor from any phone on the line simply by pressing #, your password, and then hanging up. The unit is then disabled until the next call is made, and is re-enabled upon completion of that call. With the Telephone Call Restrictor you can finally gain complete control of your phone, and your bill, whether at home or at work. Ω

NOW Find the Right Part for Your VCR!

Only \$36.00 for pages
\$69.95 diskette



The 320-page, Fourth Edition of the VCR Cross Reference contains both model and part number cross references. Over 1300 new parts and 360 new models have been added.

VCR's are made in a few factories from which hundreds of different brand names and model numbers identify cosmetically-changed identical and near-identical manufactured units. Interchangeable parts are very common. An exact replacement part may be available only a few minutes away from you even though the original brand-name supplier is out of stock. Also, you may be able to cannibalize scrap units at no cost.

with the IS CET VCR CROSS REFERENCE

NEW! The Fourth Edition is contained on a diskette for IBM PC AT/XT compatibles, DOS 2.1 or higher. The disk software allows technicians to search by manufacturer for model numbers and description of part numbers. A parts editing sequence gives an on-screen view of all substitutes for parts entered. With the diskette, the technician can update files by adding model and parts

crosses of future models. The Fourth Edition can be printed on pages completely from the diskette.

The IS CET VCR Cross Reference, Fourth Edition, is on 8½ × 11-in., pre-punched pages and sells for \$36.00. The 3½ inch diskette sells for \$69.95 and you can view listings from a monitor or printed page.

Clagg Inc.
VCR CROSS REFERENCE OFFER
P.O. Box 4099
Farmingdale, New York 11735

Name _____
Business _____
Address _____
City _____
State _____ Zip _____
Phone _____

Enclosed \$36.00 for the IS CET VCR Cross Reference, Fourth Edition.

Enclosed \$69.95 for the diskette containing the IS CET VCR Cross Reference, Fourth Edition. Please specify:

5¼ Diskettes (2) 3½ Diskette (1)

Include \$3.00 for shipping each Cross Reference (Pages or Diskette)

The total amount of my order is \$ _____.

Check enclosed—do not send cash.

Visa MasterCard Exp. Date ___/___/___

Signature _____

New York State residents must add applicable local sales tax to total.

and creative private research ultimately beats out the Feds every time. I expect a loose network on Internet will more than pick up the slack with a network of dishes and computers the Feds couldn't even dream about.

The major SETI setback seems to be our own fault. All of a sudden, we are a lot smarter about communications than we used to be. We've found out that 5 watts transmitted from a satellite is better than 50,000 watts transmitted from an Earth-based tower, and that a mere 5 milliwatts on a fiberoptic cable is even better yet.

At last we have decided not to reserve unique radio frequencies for a single user. Instead, we're now starting the long overdue conversion to *spread spectrum communication* in which dozens, hundreds, or even thousands of transmitters can share a single band without interference.

We have also discovered that the radio spectrum is much too valuable to waste on the direct broadcasting of unencoded information, especially in analog format. Thus, we are rapidly changing over to *data compression techniques* that cram

BATTERY CHARGING RESOURCES

Benchmark

2611 Westgrove Dr #109
Carrollton TX 75006
(214) 407-0011

Burr-Brown

6730 S Tucson Blvd
Tucson AZ 85706
(602) 746-1111

Dallas Semiconductor

4401 Beltwood Pkwy S
Dallas TX 75244
(214) 450-0400

Electronic Power Technology

6400 Atlantic Blvd Ste 130
Norcross, GA 30071
(404) 449-1104

EnChip

434 Ridgedale Ave Ste 11-327
East Hanover NJ 07936
(201) 328-2049

International Rectifier

233 Kansas St
El Segundo CA 90245
(310) 322-3331

Linear Technology

1630 McCarthy Blvd
Milpitas CA 95035
(408) 432-1900

Maxim

120 San Gabriel Dr
Sunnyvale CA 94086
(800) 998-8800

Philips/Signetics

PO Box 3409
Sunnyvale CA 94088
(800) 234-7381

Siliconix

2201 Laurelwood Rd
Santa Clara CA 95054
(800) 554-5565

Teledyne Semiconductor

1300 Terra Bella Ave
Mountain View CA 94043
(415) 968-9241

Unitrode

580 Pleasant St
Watertown MA 02172
(617) 926-0404

a lot of useful information into minimum spectral segments.

Spread spectrum and compression techniques greatly reduce the *entropy* of a signal, leading to the curious result that intelligent communication is now largely indistinguishable from random noise, unless you happen to know the spreading codes and the exact rules for decompression.

Assuming that extraterrestrials are smarter than we are, they have also long ago given up on high-power, single-frequency communications transmissions.

Now, you can't just tune in and receive compressed spread spectrum communications. If you don't know the rules, you have to look at subtle shifts in spectral density, signal entropy, or the timing patterns just to be able to predict that a signal exists. Thus, we might be looking for the wrong type of SETI signal in the wrong way to be able to interpret a valid intelligent message.

I'll go out on a limb and set forth this premise: A very tiny but highly significant fraction of extragalactic "noise" is actually intelligent communication from extraterrestrials.

The search is yet to begin.

Meanwhile, the television signals

from our triad of goodwill ambassadors to outer space—Captain Video, Roller Derby, and Kukla, Fran & Ollie—have now swept over the better part of a thousand candidate galaxies. They originated from a minor sun that suddenly became a video star in 1949. The signals have inflated to a spherical area now 45 light years in radius, and yet they are still at signal levels that we could easily detect here on Earth today.

Should you want to participate in ongoing SETI activities, check into the *Planetary Society* or else the *SETI Institute*. If you want a good bibliography and more SETI resources, see HACK65.PS on *GEnie* PSRT or my new *Hardware Hacker IV* reprints.

Binary chain codes

A digital code is a train of pulses representing ones and zeros. In past columns I've discussed the basics of several different codes: *pseudorandom* codes, short portions of which appear as random noise, *Gray* codes whose bits are allowed to change only one at a time, and *Huffman* codes that compress data. *Cyclic redundancy check (CRC)* codes can correct many of their own transmission er-

NEW FROM DON LANCASTER

HARDWARE HACKING

Incredible Secret Money Machine II	18.50
Hardware Hacker Reprints II or III	24.50
Blatant Opportunist Reprints	24.50
Resource Bin Reprints	24.50
The Case Against Patents	28.50
Ask The Guru Reprints I, II or III	24.50
CMOS Cookbook	24.50
TTL Cookbook	24.50
Active Filter Cookbook	24.50
Micro Cookbook I	19.50
Lancaster Classics Library	119.50

POSTSCRIPT STUFF

PostScript Secrets (Ile/Mac/PC)	29.50
Book-on-demand resource kit	39.50
Intro to PostScript VHS Video	29.50
PostScript Beginner Stuff	29.50
PostScript Show & Tell	29.50
PostScript Cookbook (Adobe)	19.50
PostScript Ref. Manual II (Adobe)	31.50
PostScript Program Design (Adobe)	24.50
Type I Font Format (Adobe)	15.50
Acrobat Reference (Adobe)	24.50
LaserWriter Reference (Apple)	19.50
PostScript by Example (McGilton)	29.50
Pgm Display PostScript with X	29.50
PostScript Visual Approach (Smith)	22.50
Thinking in PostScript (Reid)	22.50
Undat PS Pgrmmg (Hoitzgang)	29.50
The Whole Works (all PostScript)	379.50

FREE VOICE HELPLINE

VISA/MC

SYNERGETICS

Box 809-RE
Thatcher, AZ 85552
(602) 428-4073

CIRCLE 219 ON FREE INFORMATION CARD

2 bit binary chain code: \$6
 3 bit binary chain code: \$17
 4 bit binary chain code: 09AF
 5 bit binary chain code: 04653ADP
 6 bit binary chain code: 0218A392CD3D5DBF
 7 bit binary chain code: 01061438916347932A5CD9D3EAD7B77F

8 bit binary chain code:
 00818283848586878898A8B8C8D8E8F929395969799A9B9D9E9FAEB6BEDEEFF

9 bit binary chain code:
 004060503824160D0784426150B864361D0F88C4A27148AC5A2F198D46E391D8
 F47E4964D2794CAA572D974BE67359B4DE753B9ECFA7F55ABD6EBB5FB6PBBDFP

10 bit binary chain code:
 0020180A038120581A078220982A0B8320D83A0F8423094270A42B0B42F0C433
 0D4370E43B0F43F114471244B1344F14C5515C5916C5D17C6328CE348D6368DE
 398EA3B8F23D8FA3F9264A92E4D93A4F9A72ACAD2BCB32D4B72ECBD2FCCD33C
 D535CDB374DF39D6769DE7A9EE7D9FA7FAABAB6APAD6F5DD7B5FDB76PDDF7BFF

11 bit binary chain code:
 00100601403809016034078110260540B8190360740F821046094138290560B4
 178310660D4188390760F41F84368A11C2484B09A13C288530AA15C2C85B0BA1
 7C318650CE1A43586D0DE1C4398750EE1E43D87D0FE2244588D11E24C4A89713
 226CE899F146294538A91562E4578B316A2DC5C8BB17A2FC638C9196334678D3
 1AA35C6C8DB1BA37C728E71D23AC768EF1E63D47B8F91F63F47F92524E4AC969
 2F2664D49B93B27A4FCA594D29E54CAA9572B6574AF9672D6584B79732EA5DCB
 D97D2FE66CCE99F34E6ACD69AF36A6DCDD9B37E73CEA9D73B6774EF9EB3DA7B
 CFA9F73F67F4FFAAB55EADD5DABF5AEB6D6FAEP5EEBED7FB6F6EEDPDDFBD7FPF

12 bit binary chain code:
 00080180280380480580680780880980A80B80C80D80E80F8108118128138148
 1581681781881981A81B81C81D81E81F8208608A08E09209609A09E0A20A60AA
 0AE0B20B60BA0BE0C20C60CA0CE0D20D60DA0DE0E20E60EA0EF0F20F60FA0FE1
 0A10E11211611A11E12212612A12E13213613A13E14614A14E15215615A15E16
 216616A16E17217617A17E186286386486596666786886986A86B86C86D86E86
 F87187287387487587687787887987A87B87C87D87E87F8888988A88B88C88D88
 E88F891892893894895896897898899A89B89C89D89E89F8A28E29229629A29E2
 A62AA2AE2B22B62BA2BE2C262CA2CE2D22D62DA2DE2E2EA2EE2F22F62FA2FE31
 A31E32632A32E33233633A33E34A34E35235635A35E36636A36E37237637A37E
 38E48E58E68E78E8E8AE8EB8EC8ED8EE8EF8F28F38F48F58F68F78F8F8FA8FB8FC
 8FD8FE8FF924B24D24F25325525725B25D25F26526726B26D26F27327527727B
 27D27F29529729B29D29F2A72AB2AD2AF2B232B52B72B2B2BD2BF2CB34B3CB4CB5
 4B5CB6CB74B7CB9CBACBB4BBCBCCBD4BDCBECBF4BFCBDD4CDBCECCF4CFCD34F3
 5535735D35F36736B36D36F37537737B37D37F39D39F3AB3AD3AF3B3B53B73B
 B3BD3BF3CF54F5CF6CF74F7CFACFB4FBCFD4FDCFECCF4FFD55755B55F56B56F5
 7757B57F5AF5B75BB5BF5D76D77D7BD7DD7ED7FDB6FB77B7BB7FBBBFBDFBFBFF

Longer codes appear in #899 BINCHAIN.TXT on Genie PSRT.

FIG. 2—SOME EXAMPLES of shorter binary chain codes.

rors, and the rarely used Barker codes can autocorrelate perfectly. And, of course, the ASCII code allows the storage and transmission of letters and numbers. There are many other codes.

I recently ran across an odd class of digital codes called *binary chain codes*. They are inherently *self-locating*. This property leads to all sorts of exciting new hacker opportunities ranging from greatly simplified robotic position encoders to self-organizing geographic and topographic map data bases.

A binary chain code is said to be of length n if its total number of ones and zeros equal 2^n . Thus, a six-bit chain code will have a total of 64 ones and zeros in it. Binary chain codes are normally joined serially,

often continuously connected end-to-end. There is no beginning or end to a binary chain code.

Figure 1 shows what's unique about a binary chain code: any n bit sample can immediately determine the exact position in the total sequence. Thus, if you know only six recent bits in the code, you will know exactly and uniquely where you are in the 64-bit-long sequence.

Figure 2 shows some sample binary chain codes for some lower n values. Check any of these, and you will find that any sample that is n bits long is uniquely positioned. A simple table lookup is all you need to find where you are at any particular time.

The binary chain codes are neither very rare nor very common.

Be an FCC LICENSED ELECTRONIC TECHNICIAN!



Earn up to \$60 an hour and more!

Learn at home in spare time. No previous experience needed!

No costly school. No commuting to class. The Original Home-Study course prepares you for the "FCC Commercial Radiotelephone License." This valuable license is your professional "ticket" to thousands of exciting jobs in Communications, Radio-TV, Microwave, Maritime, Radar, Avionics and more... even start your own business! You don't need a college degree to qualify, but you do need an FCC License.

No Need to Quit Your Job or Go To School This proven course is easy, fast and low cost! GUARANTEED PASS—You get your FCC License or money refunded. Send for FREE facts now. MAIL COUPON TODAY!

COMMAND PRODUCTIONS
 FCC LICENSE TRAINING, Dept. 90
 P.O. Box 2824, San Francisco, CA 94126
 Please rush FREE details immediately!

NAME _____
 ADDRESS _____
 CITY _____ STATE _____ ZIP _____

WE BUY! WE SELL!

<p>•Negative-positive reversal kit</p> <p>Price: \$40.00</p>	<p>•Digital thermometer kit</p> <p>Price: \$20.00</p>
<p>•Super AKI-80</p> <p>Price: \$68.00</p>	<p>•AKI-80</p> <p>Price: \$40.00</p>
<p>•Simple infrared remote controller kit</p> <p>Price: \$10.00</p>	<p>•Image distribution kit</p> <p>Price: \$10.00</p>
<p>•AV selector kit</p> <p>Price: \$10.00</p>	<p>•Infrared projector kit for infrared CCD monochromatic camera unit (Ver.4)</p> <p>Price: \$20.00</p>

*All of the above come with instruction manual (Japanese). Akizuki Denshi Co., Ltd. is proud of its high level of reliability and outstanding track record in the production and sales of electronic components and electronic measuring instruments in Japan for more than 50 years. Although we are currently engaged in the selling of products to your country on an individual basis, our objective is to eventually supply products in large volume wholesale. Conversely, we would also like to purchase and import electronic components and various measuring instruments from the U.S. for sale in Japan. We are particularly interested in merchandise in stock as well as products no longer required below for further details. We would be happy to consult with your firm concerning future business transactions. Please stop by for a visit on your next trip to Akhabara. Inquiries and orders may be sent to the facsimile number indicated below. We look forward to your patronage.

Akizuki Denshi Co., Ltd.
 1st Floor, Nomizu Bldg., 1-8-3 Sotokanda, Chiyoda-ku, Tokyo, Japan 101
 Telephone: 03-3251-1779 Facsimile: 03-3251-3357
 Supervisor: Mr. Tsujimoto

Electronic Security

2 for 1 SALE!



Mini Long Range FM Voice Transmitter (3 mi) Ultra Sensitive - with fine tune, range control, more! Detects even whispers! FMX1 Kit and Plans.....~~\$49.50~~

Tiny Telephone FM Transmitter



(3 mi) - automatically operates when phone is used. Crystal clear clarity with fine tune and range control. TELX-1 Kit and Plans.....~~\$49.50~~

Both Easy-to-Build Kits Above only \$49.50!

Extended Play Telephone



Recording System - \$129.50

- Automatic - Crystal Clear - Easy to Use - Connects to Any Phone - Automatically controls and records both sides of the conversation on our extended play recorder. Caution - check local laws as some states require an alerting beeper. TAP20X Ready-to-Use System only \$129.50

FREE CATALOG with order - or send \$1.00 P&H
INFORMATION UNLIMITED MC, VISA, Check, Cash or C.O.D.
 Send or Fax Orders to: Dept en16
 PO Box 719, Amherst, NH 03031
 Orders: 800-221-1705 FAX 603-672-5406 Tel 603-673-4730

Earn \$1000

A Week While You Learn High Paying VCR Repair.

**Earn While You Learn . . .
 Secrets Revealed . . .**



Train at Home

If you are able to work with small hand tools and possess average mechanical ability, you could earn top dollar part time or full

time. Our learn by doing method teaches you how to work on VCR's without boring unnecessary electronic basics.

For Free Information Package Send Coupon to:
 Foley-Belsaw Institute, 6301 Equitable Road,
 Kansas City, MO 64120

(Check One Box Only)

Check VCR or another High Paying Career Field

VCR Repair, Dept. 62187
 Computer Repair, Dept. 64088
 TV/Satellite Dish, Dept. 31007
 Advance VCR Repair, Dept. 65022
 Camcorder Repair, Dept. 66032
 Fax Repair, Dept. 67032
 Printer Repair, Dept. 68032

FOLEY BELSAW
 Since 1926

Name _____
 Address _____
 City _____
 State _____ Zip _____

CIRCLE 182 ON FREE INFORMATION CARD

Surprising as it might be, there are 18,446,744,073,709,551,616 total possible unique code sequences with a length of six, but only 67,108,864 of those are binary chain codes. It is not likely that you will randomly stumble into a chain code.

Some properties of simple chain codes include: 1) The number of ones and zeros are equal. 2) There will be one n -bit run of zeros and one n -bit run of ones. In a basic six-bit chain code, there will be:

- 1 - six-bit run of zeros
- 0 - five-bit runs of zeros
- 1 - four-bit run of zeros
- 2 - three-bit runs of zeros

4 - two-bit runs of zeros
 8 - one-bit runs of zeros
 There will also be an identical number of runs for ones in the same pattern. The total number of runs of zeros will be one quarter of n —so will the total number of runs of ones. The 1-0-1-2-4-8-16-32... sequence will continue for a higher number of bits.

Now for some fun. Turn the zeros and ones into black and white stripes. Figure 3 shows the PostScript code that will generate any radial pattern of ones and zeros on a disk. All you do is introduce a string of ones and zeros to it, and it builds the pattern for you. The code

NAMES AND NUMBERS

Adhesives & Sealants Industry

PO Box 400
 Flossmoor IL 60422
 (708) 922-0761

Aldus

411 1st Ave S #200
 Seattle WA 98104
 (800) 685-3614

Apple Computer

20525 Mariani Ave
 Cupertino CA 95014
 (408) 996-1010

Atesia

2890 N Frist Street
 San Jose CA 95134
 (408) 428-6250

Black Range Films

Star Rt 2 Box 119
 Kingston NM 88042
 (505) 895-5652

Computer Telephony

12 West 21 Street
 New York NY 10010
 (212) 691-8215

DynaArt Designs

3535 Stillmeadow Ln
 Lancaster CA 93536
 (805) 943-4746

GENie

401 N Washington St
 Rockville MD 20850
 (800) 638-9636

HP/Peripherals Group

16399 W Bernardo Dr
 San Diego CA 92127
 (619) 592-8333

Hitachi

2000 Sierra Point Pkwy
 Brisbane CA 94005
 (415) 589-8300

Home Systems Network

Box 3006
 Edmond, OK 73083
 (405) 330-0718

Internet World

11 Ferry Lane West
 Westport CT 06880
 (203) 226-6967

Motorola

5005 E McDowell Rd
 Phoenix AZ 85008
 (800) 521-6274

Photocraft Inc

PO Box 408
 Geneva IL 60134
 (815) 786-2885

Planetary Society

65 N Catalina Ave
 Pasadena CA 91106
 (818) 793-5100

Raytheon

350 Ellis St
 Mountain View CA 94043
 (800) 722-7074

Sensors

174 Concord St
 Peterborough NH 03458
 (603) 924-9631

SETI Institute

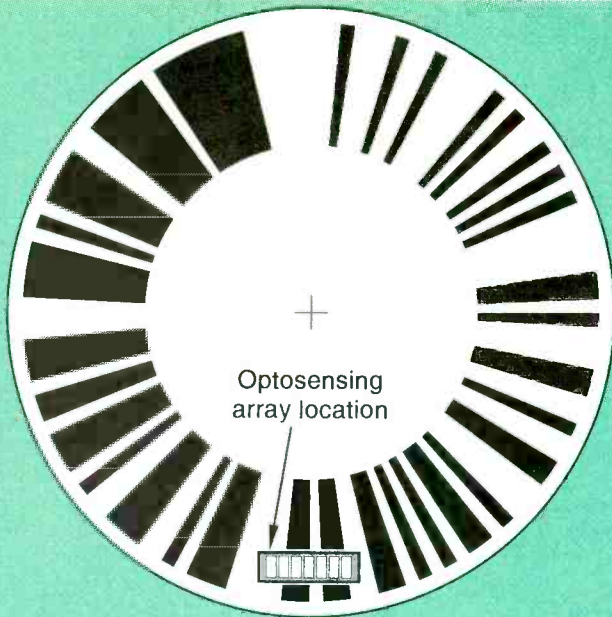
2035 Landings Dr
 Mountain View CA 94043
 (415) 961-6633

Synergetics

Box 809
 Thatcher AZ 85552
 (602) 428-4073

Texas Instruments

PO Box 809066
 Dallas TX 75380
 (800) 336-5236



% This draws an arbitrary pattern of ones and zeros as radial spokes...

/inches (72 mul) def /outsidediskdia 4 inches def /outdatadia 3.8 inches def /indatadia 2.2 inches def /xcenter 3 inches def /ycenter 3 inches def

```
/encoderpattern (0000 0001 0000 0110 0001 0100 0011 1000 1001 0001 0110
0011 0100 0111 1001 0011 0010 1010 0101 1100 1101 1001 1101 0011 1110
1010 1101 0111 1011 0111 0111 1111) def
```

```
xcenter ycenter translate -8 0 moveto 16 0 rlineto 0.5 setlinewidth stroke
0 -8 moveto 0 16 rlineto 0.5 setlinewidth stroke 0 0 outsidediskdia 2 div
0 360 arc 1 setlinewidth stroke % draw the disk
```

```
/patangle 360 0 encoderpattern {dup 48 eq exch 49 eq or {1 add} if} forall div def
```

```
gsave encoderpattern {dup dup 48 eq exch 49 eq or {48 sub setgray 0 indatadia
2 div moveto 0 0 indatadia 2 div 90 dup patangle sub arcn 0 0 outdatadia 2 div
90 patangle sub dup patangle add arc closepath fill patangle rotate}{pop} ife se}
forall grestore showpage quit % draw the pattern and print
```

FIG. 3—A BINARY CHAIN CODE ENCODER DISK and the PostScript code you'll need to generate it. Despite having only 32 stripes, this is an absolute position sensor that can provide as much as 12-bit accuracy.

is even smart enough to ignore spaces and carriage returns. You can route the code to almost any PostScript printer or view it with *GhostScript* shareware. This is yet another example of the general-purpose computing that is trivial with PostScript.

As an example, Fig. 3 also shows a simple seven-bit binary chain-code encoder disk. Unlike conventional absolute encoder disks, the photo sensors are placed *tangentially* along the disk. By reading seven bits, you will know the position in the sequence at all times. Despite the seemingly simple pattern, this is an *absolute* encoder that tells you exactly where you are—not an *incremental* encoder that only counts pulses.

Certain refinements can be made to the process. You can deliberately *oversample* to produce ten to twelve bits of position accuracy from a seven-bit wheel. Part of this can be the result of simple interpolation as the pattern moves across the sensor face. Oversampling can also solve those "hairy edge" problems that are common to all "non-Gray" encoders.

A wheel with only 32 stripes on it can measure an absolute position to an accuracy of one part in 1024, or even one part in 4096.

Compared to the usual Gray code position encoder, the binary chain encoder is simpler and cheaper; it permits much looser tolerances. Its main drawback is that a binary chain encoder takes more

SALE!

CABLE TV DESCRAMBLERS WE'LL BEAT ANY PRICE! CALL TOLL-FREE 1-800-284-8432

- JERROLD • TOCOM • ZENITH •
- OAK • PIONEER • HAMLIN •
- SCIENTIFIC ATLANTA •

**24 HOUR SHIPMENTS!
QUANTITY DISCOUNTS!
30 DAY MONEY BACK GUARANTEE!
FREE CATALOG & INFORMATION**



Mastercard • American Express • Visa • C.O.D.
HAVE MAKE AND MODEL NUMBER OF EQUIPMENT USED IN YOUR AREA

1-800-284-8432

FOR ORDERS ONLY
For technical & customer service: 305-749-3122
ALL SHIPPING & HANDLING FEES AT CUSTOMER'S EXPENSE
Anyone implying theft of service will be denied assistance.

CABLE WAREHOUSE

10117 WEST OAKLAND PARK BLVD., SUITE 315, SUNRISE, FL 33351
NO FLORIDA SALES

CIRCLE 129 ON FREE INFORMATION CARD

Choose from 46 Career Opportunities!

Get Your Specialized Associate Degree
or Career Diploma at Home in Spare Time

Now without attending college classes and with no previous experience, you can train for a money-making career...even get a Degree. Send for free facts and color brochure on employment opportunities in the field that interests you most. See how easy it is to train at home for a great career or advancement in your present job.



CALL
TOLL
FREE

1-800-595-5505 Ext. 5292

CALL ANYTIME—24 hours a day, 7 days a week
OR MAIL COUPON TODAY!

ICS International Correspondence Schools
Dept. ADES94S, 925 Oak Street, Scranton, PA 18515

Please send me free facts, color brochure and full information on how I can study at home for the career I have chosen.

No obligation. No salesman will visit. **CHECK ONE BOX ONLY!**

ASSOCIATE IN SPECIALIZED BUSINESS DEGREE PROGRAMS

Business Management

Accounting

Bus. Mgmt.—Finance Option

Bus. Mgmt.—Marketing Option

Applied Computer Science

ASSOCIATE IN SPECIALIZED TECHNOLOGY DEGREE PROGRAMS

Civil Engineering Technology

Mechanical Engineering Tech

Electrical Engineering Technology

Electronics Technology

Industrial Engineering Technology

CAREER DIPLOMA COURSES

Motorcycle Repair

Catering/Gourmet Cooking

Computer Programming

Personal Computer Specialist

Computer-Assisted Bookkeeping

PC Repair

Desktop Publishing & Design

Fashion Merchandising

Diesel Mechanics

Electrician

Small Business Management

Gun Repair

Electronics

Hotel/Restaurant Management

Child Day Care

Legal Assistant

Interior Decorating

Medical Office Assistant

Bookkeeping

Motorcyle Repair

Catering/Gourmet Cooking

Computer Programming

Personal Computer Specialist

Computer-Assisted Bookkeeping

PC Repair

Desktop Publishing & Design

Fashion Merchandising

Diesel Mechanics

Electrician

Small Business Management

Gun Repair

Electronics

Hotel/Restaurant Management

Child Day Care

Legal Assistant

Interior Decorating

Medical Office Assistant

Bookkeeping

Name _____ Age _____

Address _____ Apt. # _____

City/State _____ Zip _____

Phone () _____

October 1994, Electronics Now

79

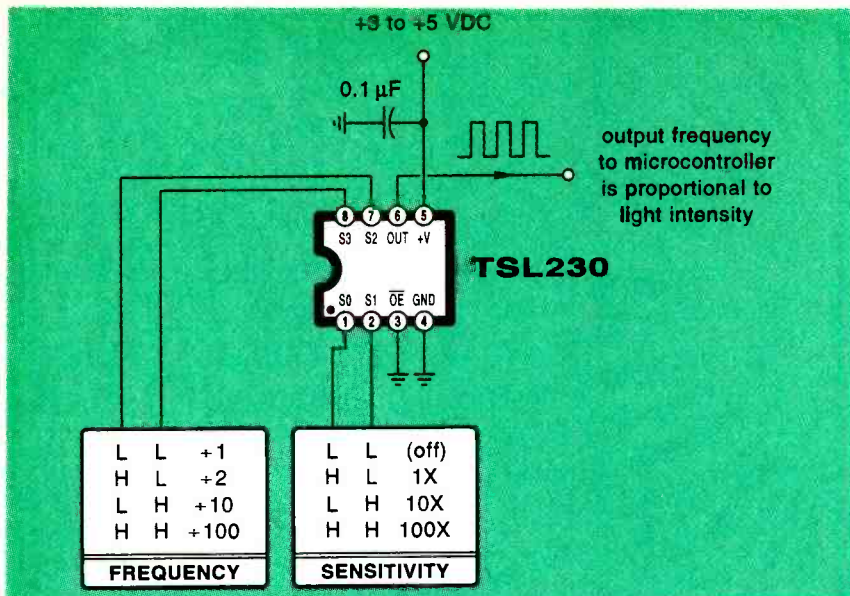


FIG. 4—TI's TSL230 LIGHT-TO-FREQUENCY CONVERTER provides a simple and low-cost way to interface light intensity with any microcomputer or microcontroller.

processing time. One possible sensor would be the new TSL230 from Texas Instruments. You can also dream up *linear* position sensors that use binary chain codes or some variant of them.

Many thanks to mathematician Jim Fitzsimmons for his help in finding those codes and understanding their unique properties. More information on generating and using your own binary chain codes appears in both #899 BINCHAIN.TXT and #902 MORCHAIN.TXT up on GENIE PSRT, including programs to generate your own. More information on digital codes in general is included in my *Micro Cookbook I*—only a scant few copies of this book are left.

One source of ready-to-go chain encoders is *Photocraft*. Additional encoder construction details appeared in the April 1994 issue of *Sensors* magazine. More on the subject of geodata chain code applications appears on the *Dialog* information service.

Light-to-frequency converters

Texas Instruments has offered a real "sleeper" product for over two years that has outstanding hacker potential: the TSL230 light-to-frequency converter. Its output frequency is proportional to the intensity of the light input. This device can greatly simplify op-

toelectronic-to-computer interfacing. The TSL230 is packaged in a clear plastic 8-pin minidip case and sells for less than \$5 for single units—and half that in quantity.

This chip can be used for nearly any task involving light. Measuring its output frequency can give you a dusk-to-dawn control, a colorimetry system, an auto brightness control, or an exposure meter. Integrating (or counting) the output pulses yields total light dosage. You can use the TSL230 for such tasks as measuring total solar irradiance at a site or automating a photo development procedure. Differentiating (or monitoring changes) in the output pulse rate can perform light-to-voice or light-to-music translations, and solve light-beam telemetry problems.

Figure 4 shows how simple the

circuit is. Provide a +3 to +5-volt power supply, choose some hardware jumper options, and route the output to a computer port. For quick experiments, a headphone or audio amplifier will work on the outputs. Even a speaker with a 100-ohm series resistor will work.

Jumpers let you change the sensitivity and frequency range. There are three silicon photodiodes in the device, with relative areas of 1, 9, and 90. That gives you four sensitivity options of zero (off), one, ten, and one hundred.

Similarly, the device has four output frequency options. The fastest one produces 1-megahertz pulses at maximum light input. Typical pulse width is a third of a microsecond. You can also get output square waves that divide the output by 2, 10, or 100.

The choice of photodiode can give you an electronic shutter or a variable F-stop. The choice of output scaling gives you the equivalent of variable shutter speed.

There are normally two different ways to measure frequency. If you introduce a high frequency, you can count cycles for a specified time interval, say one-tenth of a second. This gives you *events per unit time* and directly measures frequency. This works well for fast signals, but lower frequencies might require hundreds or thousands of seconds to produce accurate results.

For lower frequencies, one cycle of the frequency starts and stops a high-speed reference. This is known as the *pulse period* or *stopwatch* method. You can precisely measure a 5-hertz square wave in a tenth of a second by using this pulse period method.

But the pulse period method has a price. Its result is *not* a measure of frequency. Instead, it is a *time period*, or the *inverse* of frequency. Instead of 440 hertz, you get 0.00227 seconds. A division or lookup table will be required when you want to know the actual frequency. Note that any inverse is always a nonlinear curve.

The pulse-period method is also noise-sensitive. Any deviations on the particular cycle being measured can invalidate the results. One trick to overcome this is to average the

NEED HELP?

Phone or write your Hardware Hacker questions to:

Don Lancaster
Synergetics
Box 809-EN
Thatcher, AZ, 85552
(602) 428-4073

For fast PSRT access, modem (800) 638-8369, then an HHH. Then JOINGENIE. On keyword prompt, enter DMD524.

Internet email access link:
SYNERGETICS@GENIE.GEIS.COM.



Plug a Friend into
Electronics
NOW
and Save \$26.03*

This Christmas give an electrifying gift ... plug a friend into Electronics Now and brighten the whole new year! Whether electronics is your friend's livelihood or hobby, your gift will illuminate the whole spectrum of electronics throughout the coming year and provide a monthly reminder of your friendship.

Electronics Now will keep your friend informed and up-to-date with new ideas and innovations in all areas of electronics technology ... computers, video, radio, stereo, solid state devices, satellite TV, industrial and medical electronics, communications, robotics, and much, much more.

We'll provide great plans and printed circuit patterns for great electronic projects. In just the last year, Electronics Now has presented amateur TV equipment, computer peripherals, microcontroller programmers, test equipment, audio amplifiers, telephone projects, relay circuits and much more.

PLUS ... equipment troubleshooting techniques ... circuit design ... reports on new technology and products ... equipment test reports ... in-depth coverage on computers, video, audio, vintage radio ... and lots more exciting features and articles.

SAVE \$26.03* ... OR EVEN \$52.06* ... For each gift of Electronics Now you give this Christmas, you save a full \$26.03* off the newsstand price. And as a gift donor, you're entitled to start or extend your own subscription at the same Special Holiday Gift Rate—you save an additional \$26.03*!

No need to send money ... if you prefer, we'll hold the bill till January, 1995. But you must rush the attached Gift Certificate to us to allow time to process your order and send a handsome gift announcement card, signed with your name, in time for Christmas.

So do it now ... take just a moment to fill in the names of a friend or two and mail the Gift Certificate to us in its attached, postage-paid reply envelope. That's all it takes to plug your friends into a whole year of exciting projects and new ideas in Electronics Now!

*Basic sub rate — 1 yr/\$19.97 2 yrs/\$38.97

pulse period method over several input cycles. This is a trivial task with any microcontroller these days.

Supply current for the TSC230 is 2 milliamperes when the device is active and 10 microamperes when its output-enable pin is high. Accuracy varies from 5 to 20 %, depending on device options. You can do custom calibration if you need higher accuracy.

The spectral response is the standard Gaussian silicon response curve that is weak in the blue region of the spectrum and very strong in the infrared region. Temperature compensation is good over the visible light range, but any near-IR heating of the chip causes severe frequency errors. Installing a fan or a heat filter on the host equipment is a good idea for solar applications.

The dark current produces about half a hertz at full area, compared to saturated light at 1 megahertz. This gives a 66-dB dynamic range. The jumpering options let you center the dynamic range on the intensity range you need.

Battery charging resources

There are some really exciting new products being introduced in the battery-charging arena these days—mostly new ICs that allow faster and safer charging of high-tech cells and batteries. For this month's resource sidebar, I gathered together the major sources.

One of the bigger players here is *Dallas Semiconductor*, which is offering a new battery-charging data book. The book discusses a lot of sophisticated, yet quite low-cost chips, some fully programmable. You also might want to pick up a copy of the *NiMH and Ni-Cd Battery Management* application note from Philips.

Research so far on electric car batteries has been mostly "smoke and mirrors" hype. It is crammed full of hidden agendas, wishful thinking, and suffers from limited funding.

But the laptop-computer makers have an immediate new multi-billion dollar market begging for new rechargeable cells. What's needed are cells that pack energy into small volume with minimum weight. Solve the laptop energy problem and the

electric car power problem becomes a trivial sideshow.

My own guess right now is that a polymer-based, fast rechargeable lithium system will end up with all the marbles. Lithium is light and cheap and provides high energy density. Lithium's reactivity is fast becoming manageable through brand new developments. Lithium can be obtained from seawater. More as the drama unfolds.

This month's contests

Let's have a really far out contest this month. Assume you are a high-tech hardware hacking native of some fairly laid-back planet orbiting *Gamma Gallinas*. Your specialty is radio astronomy, and you have been observing a third rate star some 40 light years away that suddenly became a video source.

So far, you've discovered suspicious spectral distributions in the VHF region and have applied the latest in PDSP (psychic digital-signal processing) techniques to them. Suddenly a twelve-second clip of Roller Derby pops up, superbly clear, on your virtual monitor wall from your latest run. For our contest send me a copy of the report you will send your supervisor, along with a copy of your next Intergalactanet post. Yes, you do have witnesses and archival backup copies.

There will be the usual dozen or so *Incredible Secret Money Machine II* books going to the best entries, plus an all expense paid (FOB Thatcher, AZ) *tinaja quest* for two going to the finest of all. Be sure to send all your *written* entries to me here at *Synergetics*, rather than to *Electronics Now*.

Now for a second and more down-to-earth contest this month: just tell me about a new and hacker-friendly application for Texas Instrument's TLS230.

New tech lit

Raytheon is offering its 1994 data book on fancy video and multimedia chips. *Hitachi* is offering a new *Semiconductor Technology for Wireless Communication* book. Ask *Apple Computer* for its *Power Macintosh Software Directory*. *Motorola* is offering a *Power Scene* newsletter on MOS devices.

And from *Texas Instruments* again, there's a new \$98 digital signal processing breadboard. It is called the *TI DSP Starter Kit*. For more specifics, call TI at (800) 477-8924, extension 3651.

Several helpline callers have asked about TIFF files. These are simply an older way to describe a bitmap image, and TIFF is short for a *Tag Image File Format*. Copies of the Revision 5.0 specification are available from *Aldus*. *A Guide to the Tag Image File Format* is also offered by *HP Peripherals*.

Adhesive & Sealants Industry is a trade journal that's not afraid to deal with sticky subjects. *Computer Telephony* is a new magazine on phone modem networking, and *Internet World* is a publication on Internet access and its use.

Three unique videos on straw bale home construction are now being offered by *Black Range Films*, and a half hour home automation video titled *Living with an Intelligent Home* has been released by *Home Systems Network*.

Frank Miller of *DynaArt Designs* just sent me a selection of his new tools and materials for making direct-toner printed circuit boards. I'll have more on this when I complete testing it. Meanwhile, you can pick up free details on this exciting new method for quickly and simply making your own printed circuit boards by giving Frank a call.

To pick up the fundamentals of digital integrated circuits, check into my CMOS and TTL Cookbooks, also available as part of my *Lancaster Classics Library*.

Here is a reminder that electronic reprints of all my columns, along with instant technical help, are available on *GENIE* PSRT. I've managed to arrange ten free *GENIE* hours for your use, as shown in the help box.

Free catalog requests and technical questions you want answered here or on PSRT can also be sent to me directly through my own *SYNERGETICS@GENIE.GEIS.COM* Internet address.

As usual, most of the resources I've mentioned appear in the *Names & Numbers* or the *Battery Charging Resources* sidebar. Be sure to check here before calling our no-charge technical helpline. Ω

AUDIO UPDATE

Sound-off's, CSICOP, and audiophilia

LARRY KLEIN

I've endorsed *Car Audio and Electronics* as a publication that provides the straight scoop—and impressive test reports—on the fast-changing world of car stereo components, alarms, and other automotive devices. My present relationship with the publication involves the technical editing of its audio-equipment test reports. The magazine is a classy looking, technically authoritative journal catering to a readership that (to put it gently) seems a little weird.

Besides the mostly dim-witted letter-column exchanges among the self-labeled "bass-heads" and others, there are also articles on outfits such as the United States Autosound Competition (USAC). For those who are not *au courant* with recent car-audio craziness, I should explain that ghetto blasters have, in effect, gone very much upscale, and are now to be found installed in all manner of vehicles. As you might be aware, the rumble and boom of the vehicular-bass-obsessed is heard day and night on both the streets of the city and the winding roads of suburbia.

American entrepreneurs, ever alert to the opportunity to make a buck, have organized "sound-offs" at which the owners of sonically customized vehicles vie with each other for prizes. The original perpetrator of the format—the International Auto Sound Challenge Association (IASCA)—has, over the years, injected some rationality into its rulebook by de-emphasizing decibels in favor of balance and quality. As a matter of fact, the '92 Finals' even had "dB police" armed with sound pressure level (SPL) meters to restrain those contestants overeager to demonstrate the ear-shattering capabilities of their vehicles.

According to the March issue of *Car Audio & Electronics*, the newly competing USAC operates under no such constraints. At one point

during USAC's recent sound-off, there was a planned SPL competition between Cerwin-Vega's professional demo van and a consumer SPL champ from previous contests. Much to the disappointment of the 5000 spectators, the USAC officials canceled the event. The reason offered was that "vehicles with projected SPLs of over 153 dB could not be fairly and accurately judged." (Incidentally, 140 dB is at the threshold of pain; 150 dB is twice as loud!) However, it wasn't that the judges feared spectator ear damage, it was just that their SPL meter wouldn't read that high! But fear not; there are plans to stage an "SPL shoot-out" between the two vehicles "as soon as possible." Can you stand the wait?

Cable redux

In my December 1993 column, I wrote about a somewhat surprising article that appeared in *Audio* magazine. The surprise lay in the article's up-front discussion of the fads and

fallacies rampant in the high-profit—if not high-fidelity—speaker-cable market. Author-engineer Fred E. Davis described, measured, and auditioned 12 speaker cables ranging in price from 24 cents to over \$130 (!) a foot.

Davis concluded that cables made from exotic conductor and/or insulation materials will provide minimal (if any) enhancement of your system's fidelity, but maximal erosion of your bank account. I lauded Davis' approach, but chided him gently for his decision to delete brand names "in the interest of not adversely affecting the business of any manufacturer."

After my column appeared, Davis wrote to me saying how pleased he was with my discussion of his article, but he corrected me on a significant point. He writes that the decision to delete manufacturers' names was not his, but *Audio's*. He explained that the magazine had lost big bucks from advertising cancellations provoked by a previous speaker-cable article, and it didn't



Enter A World Of Excitement with a Subscription to

Popular Electronics®

Get the latest electronic technology and information monthly!

Now you can subscribe to the magazine that plugs you into the exciting world of electronics. With every issue of Popular Electronics you'll find a wide variety of electronics projects you can build and enjoy.

Popular Electronics brings you informative new product and literature listings, feature articles on test equipment and tools—all designed to keep you tuned in to the latest developments in electronics. So if you love to build fascinating electronics, just fill out the subscription form below to subscribe to Popular Electronics... It's a power-house of fun for the electronics enthusiast.

EXCITING MONTHLY FEATURES LIKE:

- CONSTRUCTION**—Building projects from crystal sets to electronic roulette
- FEATURES**—Educational training on digital electronics, Ohm's Law, Antennas, Communications, Antique Radio, Simplified Theory
- HANDS-ON-REPORTS**—User test comments on new and unusual consumer products
- SPECIAL COLUMNS**—Think Tank, Circuit Circus, Computer Bits, DX Listening, Antique Radio, Scanner Scene, Amateur Radio

PLUS: ALL OUR GREAT DEPARTMENTS!

You'll get 12 exciting and informative issues of Popular Electronics for only \$18.95. That's a savings of \$23.05 off the regular single copy price. Subscribe to Popular Electronics today! Just fill out the subscription order form below.

MODEL ROCKET LAUNCHER • CES ROUND-UP • TELEPHONE-CALL ROUTER

Popular Electronics®

MAY 1994

TIME-DELAYED MODEL-ROCKET LAUNCHER

Add a touch of class and safety with this deluxe controller

CONSUMER ELECTRONICS SHOW ROUND-UP

Satellite TV gets small, multimedia gets big, 300 gets real, and other news direct from the show floor

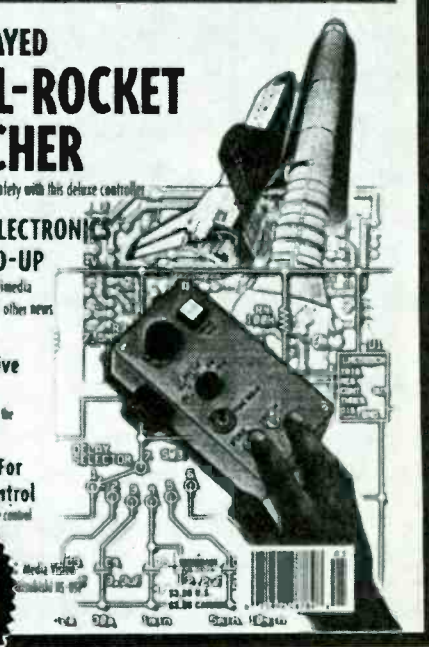
Build A Distinctive Ring Switch

It routes your telephone calls to the right person or device

A Relay Station For Your Remote Control

It routes your remote control

Save
55%
Off The Regular
NEWSSTAND
Rate



FOR FASTER SERVICE CALL TODAY

1-800-827-0383

(7:30AM-8:30PM) EASTERN STANDARD TIME

Popular Electronics® SUBSCRIPTION ORDER FORM

AREK 4

P.O. Box 338, Mt. Morris IL. 61054

YES! I want to subscribe to Popular Electronics for 1 Full year (12 Issues) for only \$18.95. That's a savings of \$23.05 off the newsstand price. (Basic Subscription Rate—1 yr/\$21.95)

Payment Enclosed Bill me later
Please charge my: Visa Mastercard

Acct. #

Signature

Exp. Date

PLEASE PRINT BELOW:

NAME

ADDRESS

CITY

STATE

ZIP

Allow 6 to 8 weeks for delivery of first issue. U.S. Funds only.
In Canada add \$6.68 Postage (Includes C.S.T.) All Other Foreign add \$7.50 Postage.

want to repeat the experience.

I'm aware of the problem of advertiser sensitivity. While I was at *Stereo Review*, I was directly responsible for a major speaker manufacturer's cancellation of about \$50,000 worth of advertising. It seems that in reply to a question at an audio club meeting, I stated that room placement of direct/reflective speakers, omnidirectional speakers, and dipolar speakers is particularly critical because so much of their output is bounced directly off the rear walls.

My words got back to the manufacturer, and he took direct action without much reflection; he canceled his advertising contract with *Stereo Review*. After a month or so, the manufacturer finally explained to our publisher that he saw no reason to support a magazine whose technical director (me, that is) did not support his product.

No one told me to recant, although *Stereo Review's* publisher did ask me to explain to the unhappy sales staff (who had lost their com-

missions) how random phase cancellations can result when strong rear radiation causes reflections that impinge on a speaker's direct wave. The manufacturer ultimately started advertising again, satisfied, I guess, that we had learned our lesson. To put it in fortune-cookie format: "Big Mouths Can Cost Big Bucks," or "The Truth Shall Make You (almost) Fired."

To return to Fred Davis, I phoned him at home, and we had a nice mutual-admiration-society kind of chat. I mentioned that I had recently come across an article he had written in one of my favorite publications, *Skeptical Inquirer*, the journal of The Committee for the Scientific Investigation of Claims of the Paranormal (CSICOP). Among the topics Fred discussed were the digital alarm clock that has "a smoothing effect" on audio electron flow, a green felt-tip marker that when applied to the edges of a CD "improves clarity, definition, and ambience," and replacement power line cords from five different man-

ufacturers (selling from a low of \$99.95 to a high of \$249.95) that provide "increased transparency, improved spatial coherence, seamless tonal balance," and so forth. Such blather finds fit company among the topics normally discussed and debunked by the *Skeptical Inquirer*, such as flying saucers, psychic revelations, channeling, telepathy, dowsing, astrology, and other weird topics.

I shouldn't give the impression that CSICOP consists of cynics and mechanical materialists. The Fellows of the Committee listed on the journal's masthead read like a Who's Who of the universities and sciences. The organization's intention is to encourage critical analysis and clear thinking in all areas where heavy applications of scientific methodology are needed to illuminate the issues.

Readers who would like to know more about CSICOP and the *Skeptical Inquirer* should write to: Barry Karr, CSICOP, Box 703EN, Buffalo, NY 14226-0703. Ω



Cash rebates on Tektronix DMMs.

Tektronix already offers the best value in hand-held measurement tools. Our powerful DMMs normally sell for \$67 to \$235*. And our new TekMeter™ true RMS multimeter and autoranging scope is regularly priced from \$875 to \$1285*. But now for a limited time, you can get cash back on the entire TekTools™ family—you'll save up to \$100 per unit! This rebate applies for up to 25 units per company, so you can really multiply your savings.

Don't miss this unprecedented opportunity to acquire genuine Tektronix products. Just read the fine print for details and call your nearest authorized Tektronix distributor. For the name of the dealer nearest you, call 800-426-2200, ext. 300.



Product	Qty Purchased	Rebate Each	Total	Name _____
DMM 155, 156, 157, 353	_____	x \$5	\$ _____	Company _____
DMM 250, 251	_____	x \$10	\$ _____	Address _____
DMM 252, 254	_____	x \$20	\$ _____	City _____ State _____ Zip _____
TekMeter (all models)	_____	x \$100	\$ _____	Phone (____) _____
Total:	_____		\$ _____	Purchased From _____

Rebate good on purchases made between August 1, 1994 and December 31, 1994. Redemption request must be postmarked by January 31, 1995. Limit 25 units per company location. To receive your rebate, cut the features chart from each product box and send with this original coupon and copy of the invoice with the following highlighted: invoice date and number, model number, quantity and price the

requester paid for each product purchased. Send to: FSI, PO Box 14070, Portland, OR 97214. Check will be issued to the company name on the invoice, in care of individual requesting rebate. Please allow 4-6 weeks for processing. Offer good in U.S. only. *Manufacturer's suggested US retail price.

DPW-284596
EN



Tektronix

Copyright 1994 Tektronix, Inc. All rights reserved. TekMeter, TekTools and Autorange trademarks of Tektronix, Inc.

CIRCLE 164 ON FREE INFORMATION CARD

DRAWING BOARD

Our alternate tachometer design takes shape.

ROBERT GROSSBLATT

Figure 1 is the block diagram I came up with last month for the counter-based tachometer. The circuit requires 2-hertz pulses so that the tachometer updates its display twice a second. The simplest way to get accurate timing pulses is to use the National Semiconductor MM5369 oscillator/divider. The basic 5369 circuit is shown in Fig. 2. The EST version of the chip will provide a 100-hertz output and the AA version will provide 60 hertz. In this case, the more common AA version is a better choice because it's easier to divide by thirty than it is to divide by fifty.

As shown in Fig. 2, the signal can be divided by thirty with a CD4520B bit binary counter to count the pulses from the 5369. I had to use both halves of the 4520 because it takes five bits to count up to thirty in binary. If you have a CD4040B ripple counter around you can use that as well, but other ripple counters in the family (such as the CD4020B and

CD4060B) don't have a complete set of outputs for all the counts and might not be suitable.

The reason I prefer the 4520 to the 4040 is because I like to use a synchronous counter rather than a ripple counter whenever I have a choice. Ripple counters are a string of sequential counters, and each counter gets its input from the preceding one in the chain. The pulses at the clock input feed only the first stage of the counter. As the count progresses, the setup in the counter causes each stage to change output in sequence rather than all at once in step with the pulses at the clock input.

This daisy chain procedure will result in an incorrect count being present briefly at the outputs. How brief depends on the propagation delay of the counters, the supply voltage, and the length of the count. Basically it's pretty hard to predict. In general, a ripple counter is acceptable when you can afford to wait for the counter to settle down

before checking its output. Synchronous counters don't have this drawback because each of the counting stages in the IC is triggered directly by the pulses at the clock input, so the output count is always in step with the clock. One of my golden rules is to avoid using ripple counters unless they're the only way to get the job done.

Cascading two halves of a CD4520B usually calls for gating because you must detect a full count of 15 (1111 binary) and use that state as the clock input to the second half of the chip. In this case I'm luckier than that because the number I'm detecting is 30, which is an even multiple of 15. Since each half of the 4520 can operate independently, the first half of the chip can divide the 60-hertz input signal in half, and that can be used to clock the second half of the chip. By using the $\phi\phi$ (divide by two) output of the first half of the 4520 as the clock input for the second half, the second half of the IC can be clocked at 30 hertz. Then I can get the 2-hertz signal I need by detecting a count of 15 at the outputs of the second half of the 4520.

The count of 15 corresponds to a division of the 60-hertz signal by 30, and is detected by half of a CD4012B dual four-input NAND gate. When the count in the 4520 reaches 30, the output of the gate will go low, and that low is inverted by the second half of the 4012 which, because all the inputs are tied together, operates as an inverter. I need a low-to-high transition of the 2-hertz pulse later on, and the second half of the 4012 will provide.

Once you have this part of the circuit operating, you can check the output frequency with a simple watch. Just connect the cathode of an LED to the output of IC3-a, and connect its anode through a 200-ohm resistor to the positive side of

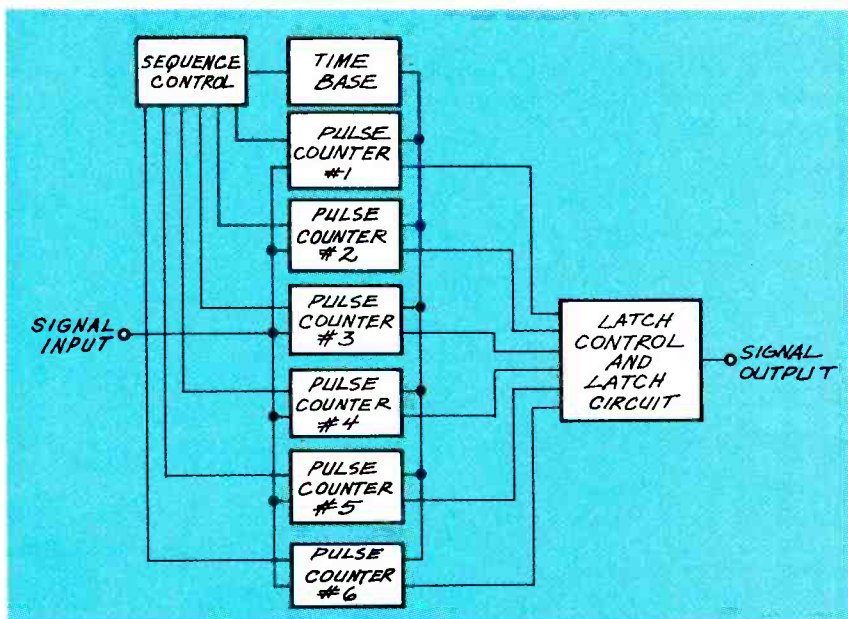


FIG. 1—BLOCK DIAGRAM of the counter-based tachometer. The heart of the circuit is the time base.

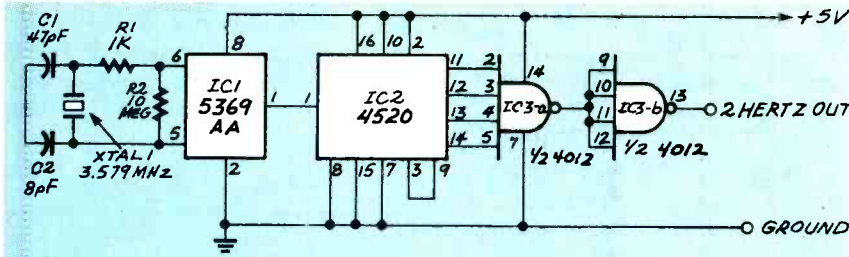


FIG. 2—YOU CAN DIVIDE BY THIRTY with a 4520 to count the pulses from the 5369.

the power supply. You can time the pulses for about 10 seconds and verify that you're getting two pulses per second at the output.

The next part of the circuit to tackle is the pulse counter. There are six pulse counters shown in the block diagram, but you can have as many as you want. The more counters you have, the less susceptible the circuit will be to display "bobble," or fluctuation. An optimum number of counters seems to be six. Less than that, and the result will be a "glitchy" display. At least twelve counters are needed to make a noticeable improvement over the results you can get with six. Once the tachometer is operating, you can experiment with this yourself.

The choice of counters here is dictated by the number of pulses you want to count. With an update period of half a second and six counters on line, each counter must handle three second's worth of input pulses. While there's no way of knowing exactly what that number is going to be, I can estimate it by looking at the worst case. A 12-cylinder engine running at 6000 rpm will produce 600 sparks per second at the coil. That's 1800 sparks in a three-second period.

Converting a count of 1800 to binary yields 11100001000, which means I need a counter with at least eleven sequential outputs to handle the worst-case scenario. It seems that this is one of those places where a long-chain ripple counter is needed. While you can certainly use one, a bit of thinking about the rest of the circuit is in order before you make a final decision.

Even though I haven't talked about the latch and display yet, you should realize that when each pulse counter has to dump its count to the latch for processing, it must have

access to the latch inputs. This means that the outputs of all the counters must be connected in some way to the latch inputs. It's clear that some kind of three-state arrangement (chips with outputs that can be high, low, or floating) is necessary because only one counter can be actively connected at any one time.

None of the counters I've been discussing have the ability to float their outputs, so an IC with three-state outputs must be put between the counters and the latch control section. However that present, certain problems when more than eight counter outputs are involved.

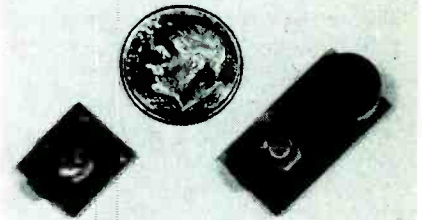
Three-state buffers come in eight-bit widths, and while some of them allow sections of the IC to be enabled separately (six and two, for example), there's no avoiding the fact that having to handle 11 bits at a time is going to require at least two buffer ICs per counter. With six counters, this is going to require a minimum of a dozen buffer ICs. Chips might be cheap, but price has nothing to do with circuit complexity and keeping things simple. There are several ways to handle this problem:

1. Reduce the update period to a quarter of a second, which would also reduce the size of the maximum spark count because pulses would be counting for only about one and a half seconds.
2. Cut down the number of pulse counters and reduce the total chip count needed to handle the counter outputs. This would keep the full eleven-bit width.
3. Make some compromises in the range of revolutions per minute the tachometer can handle.
4. Increase the number of pulse counters to count spark pulses for a longer period. This would let us keep the half-second update and



CRYSTAL-CONTROLLED! 5 MINUTE ASSEMBLY! MONEYBACK GUARANTEE! Attach 3 wires and hear every whisper up to 2 miles away on any programmable scanner or VHF surveillance receiver. Pre-tested surface mount module uses standard 9V battery for 100mW output! Includes battery box and crystal for 140MHZ. Custom frequencies available for Law Enforcement. Model VX-100 only **\$79.95 + 2.00 S&H.** VISA, MC, MO. COD add **\$5.00.** **DECO INDUSTRIES, BOX 607, BEDFORD HILLS, NY 10507. 914-232-3878.**

CIRCLE 127 ON FREE INFORMATION CARD



WORLD'S SMALLEST FM TRANSMITTERS! New Surface Mount Technology (SMT) makes all others obsolete! XST500 Transmitter—powerful 3 transistor audio amplifier, transmits whispers up to 1 mile. XSP250 Telephone Transmitter—line powered, transmits conversations up to ¼ mile. Both tune 88-108 MHz. Easy to assemble E-Z KITS (SMT components pre-assembled to circuit board)! XST500—**\$44.95**, XSP250—**\$34.95**, VISA/MC. COD add **\$6.** **XANDI ELECTRONICS, 201 E. Southern Ave., Suite 111, Tempe, AZ 85282. 1-800-336-7389.**

CIRCLE 111 ON FREE INFORMATION CARD

CALL NOW AND RESERVE YOUR SPACE

- 6 x rate \$940.00 per each insertion.
- Fast reader service cycle.
- Short lead time for the placement of ads.
- We typeset and layout the ad at no additional charge.

Call **516-293-3000** to reserve space. Ask for Arline Fishman. Limited number of pages available. Mail materials to: **mini-ADS, ELECTRONICS NOW, 500-B Bi-County Blvd., Farmingdale, NY 11735.**

FAX: 516-293-3115

the loss of three bits would become much less significant.

I think the best solution is the last one. Once the range of the tachometer is limited to eight bits, the question then becomes which eight bits to use. Table 1 gives the numbers you need to decide which bits should be dropped. Remember that the numbers in the table must be multiplied by three because the final circuit will be counting the pulses for three seconds.

If the three lowest bits are dropped to reduce the lower range of the tachometer, a total of seven pulses will be ignored for the three-second count at the tachometer. For a four-cylinder engine running at 1000 rpm, the worst case would be a count of 92 sparks instead of the real count of 99 sparks. Simple arithmetic says that would translate into a reading of 920 rpm instead of the actual number of 1000 rpm. A six-cylinder engine at the same speed would give a reading of 947 rpm, an eight-cylinder engine would

TABLE 1

# CYL	SPARKS/SEC AT 1000 RPM	SPARKS/SEC AT 6000 RPM
2	16	100
4	33	200
6	50	300
8	66	400
12	100	600

give one of 955 rpm, and a twelve-cylinder engine would give one of 973 rpm. The higher the number of cylinders and the higher the rpm, the less statistically significant the lower three bits will be. Dropping the higher three bits would be disastrous because it would limit the maximum three-second count to 255.

If you experiment with dropping some bits from the top and bottom ends, you might decide that the resulting range is adequate for your engine size and expected rpm range. Dropping only the bottom two bits would give a tremendous boost to accuracy at idle (973 rpm instead of 947 rpm for a six-cylinder engine at an actual speed of 1000 rpm) and it would cut the maximum rpm down to 6800 rpm. That might not seem too bad, but this choice of bits would also drop the maximum reading for an eight-cylinder engine down to 5100 rpm.

Do the calculations and make your decision based on the size of your engine and the weight of your foot on the accelerator pedal. I'm going to drop the bottom three bits

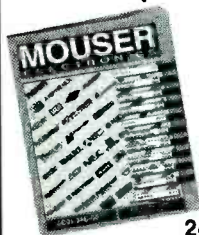
because, for my needs, that's the best solution. From a design point of view, the circuit is basically the same regardless of which bits are dropped. Ω

45,736

ELECTRONIC COMPONENTS

Whether you order 1 part or all 45,736...MOUSER stocks and...ships same day!!

CALL... (800) 992-9943



for your
FREE
CATALOG

2401 Hwy 287 N.
Mansfield, TX 76063

MOUSER
ELECTRONICS
Sales & Stocking Locations Nationwide

CABLE CONVERTER DIAGNOSTIC MODULES



	1 PC	10 PC
PIONEER BOARD 3-WIRE	34.95	29.95
BA-51XX - BA-61XX	44.95	39.95
BA-63XX - BA-67XX	24.95	19.95
STARCOM 6-DPV-5XXX	39.95	34.95
STARCOM 7-DPV-7XXX	39.95	34.95
STARCOM 7-DPBB-7XXX	34.95	29.95
S/A 8535 AUTO BOARD	34.95	29.95
S/A 8536 AUTO BOARD	34.95	29.95
S/A 8550 WIRELESS QUICK BOARD	39.95	34.95
S/A 8570 WIRELESS QUICK BOARD	39.95	34.95
S/A 8580 WIRELESS QUICK BOARD	39.95	34.95
S/A 8590 WIRELESS QUICK BOARD	39.95	34.95
S/A 8600 WIRELESS QUICK BOARD	39.95	34.95
S/A 8580 40 PIN PLUS + MICRO	39.95	34.95
S/A 8570 /90 /8600 40 PIN MICRO	39.95	34.95

INSTRUCTIONAL VIDEO TAPE FOR
DIAGNOSTIC BOARDS \$19.95
PIONEER DIAG. CUBE 129.95
60 DB NOTCH FILTER INCL.

NEW STARCOM AUDIO
BOARD FOR DPBB R1 / M1
AND RELATED MODELS 59.95
ZENITH 1000 TO 2660 16.95
TOCOM 5507 MAPPER 19.95
TOCOM 5503 MAPPER 19.95

ANYONE IMPLYING THEFT OF SERVICE IN ANY
WAY SHAPE OR FORM, DO US AND YOUR SELF
A FAVOR DON'T BOTHER CALLING US.
"AND YES WE DO MEAN YOU"
THESE PRODUCTS ARE FOR DIAGNOSTIC
PURPOSES ONLY PERIOD !!! **NO N.Y. SALES**

WE STOCK WIRELESS
QUICKBOARDS FOR
ALL S/A CONVERTERS

VISUAL COMMUNICATIONS, INC.
800-GO-CABLE TECH.SUPP 718-229-2358

TRY THE NEW
**Electronics
NOW**
BBS
516-293-2283

COMMUNICATE WITH
OTHER READERS OF
ELECTRONICS NOW

DOWNLOAD ARTICLE-
RELATED FILES
AND SOFTWARE

V.32/V.42bis
516-293-2283

COMPUTER CONNECTIONS

Why Microsoft will win and IBM will lose the OS war.

JEFF HOLTZMAN

I started this story by describing important new features of Chicago, Microsoft's follow-on to Windows 3.x. As my writing progressed, it became more clear that the real story is why Microsoft will succeed, and why IBM, Novell, and Apple will fail as competitors for that product.

Chicago, the next major revision of Windows, is a full 32-bit operating system that should provide a more robust environment for running software than Windows 3.1. It is a complete, bootable operating system with no underlying DOS.

Microsoft's primary goals for Chicago include good performance on modest machines, high compatibility with prior DOS and Windows applications, and greatly improved ease of use. Microsoft hopes to release Chicago by the end of 1994, although a widely deployed beta program was launched much later than expected.

Why IBM will lose

In the August issue, I discussed IBM's massive new long-term strategy for consolidating its vast product lines around a single architecture, which is fascinating, technically. IBM's strategy is ambitious, even dramatic. Unfortunately, the drama to be played out is less likely to be a success story than a tragedy—or maybe even a comedy.

Why? Because IBM's strategy says a lot about how it intends to solve its problems, and absolutely nothing about solving the user's problems.

The architecture will allow IBM to merge product development, manufacturing, and support operations across all lines, from mainframes to personal computers. By doing this, the company expects to gain tremendous cost savings, and this should, in the long run (if suc-

cessful), benefit users whose needs cross platform boundaries.

However, after considering the problem at some length, I now believe that IBM is doomed to failure as an operating system vendor.

IBM's history in the PC business is punctuated by failed top-down approaches. Probably the best example is the Microchannel Architecture (MCA), introduced with the PS/2 Model 80 in 1987. IBM rightly recognized that the AT bus, now called the Industry Standard Architecture (ISA), was nearing the end of its useful life, and it realized that something offering higher performance was needed. IBM's mistake was in assuming that users would drop ISA and go wholesale for MCA. They didn't.

IBM's Token-Ring network protocol is another example. Token Ring has theoretical and architectural superiority to Xerox's Ethernet, but Ethernet gobbled up the lion's share of the market by being good

enough—and a heck of a lot cheaper. Both will soon be supplanted by much higher-performance protocols; the point once again is that top-down imposition of theoretically superior standards without sensitivity to bottom-up grass-roots needs seldom succeeds.

OS/2 is another example of top-down thinking that failed. IBM didn't get it right until version 2.1. By that time the company had blown its grass-roots credibility. Unfortunately, IBM's new cross-platform strategy resonates strongly with the PS/2 and OS/2 debacles of the past.

OS/2 and the various incarnations of the Workplace Operating System (IBM's cross-platform OS) will probably live on for some time in market niches where the "No one can be fired for buying IBM" mentality still thrives. The vocal minority with strong convictions about the superiority of MCA, Token Ring, or OS/2 might continue to convince

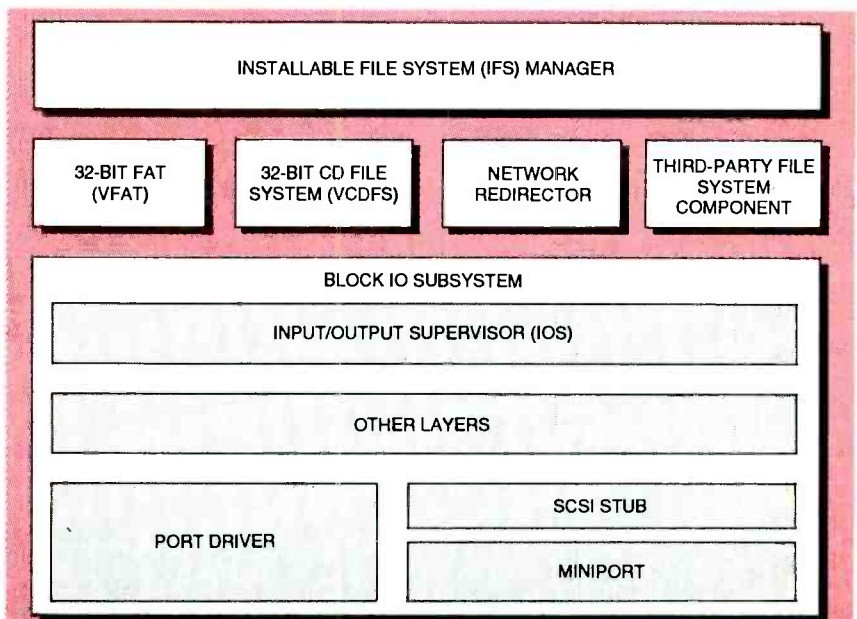


FIG. 1—CHICAGO'S INSTALLABLE FILE SYSTEM ARCHITECTURE provides 32-bit protected-mode access to all devices such as CD-ROMs, networks, and hard disks.

top IBM management of the value of pursuing system software. But eventually the bottom line will show something else.

Why Microsoft will win

Microsoft will win because it views the marketplace in a totally different perspective. Whereas IBM sees architecture as the fount from which user benefits can emerge, Microsoft sees it as an organizing principle or process. Out of that process a structure emerges for building something that meets user needs. Let's put it a different way. Microsoft asks users what they want, then figures out a logical way—an approach—to build products to meet those needs. By contrast, IBM designs an architecture, then goes about asking how that architecture can meet user needs.

Microsoft likes to keep its architectural strategy vague, but not undetectable. As I have said here numerous times in the past, I believe that all roads lead to Cairo. For the mainstream PC marketplace, the sequence is Windows 3.x to Chicago to Cairo. For the workstation and network server markets, the sequence is a jump from Windows NT (perhaps several successive versions) to Cairo. Cairo will unite and run all the major APIs, and provide a migration path toward a single, highly efficient native API. That would finally put to rest, once and for all, the "My API's better than yours" wars. It seems to be what IBM is doing with WorkPlace OS, doesn't it?

Microsoft seldom comes right out and talks about architecture directly; the company always hedges its bets and leaves its options open. For example, many people, including some influential members of the computer press, mistakenly assumed that NT was designed to be the successor to 3.x. They pointed to NT's lack of mainstream success as an excuse for some gratuitous Microsoft bashing. NT was never aimed at the mainstream market, but rather at the Unix and server markets.

Microsoft's bottom-up approach makes long-term corporate planners and strategists nervous. Nevertheless, it gives Microsoft tre-

mendous flexibility in adapting to market changes. As a friend puts it, "Gates builds something, puts it out in the market, gets a reaction, fine-tunes it, puts it back out in the market, and so on." This is precisely what is happening now with NT.

Microsoft is bottom-up in many ways. Look at its Visual Basic. Although it has some features of an object-oriented development environment, it is essentially "flat," and thus open to criticism. But despite its theoretical or architectural impurity, VB is a huge market success. In its current state VB could become more object oriented, or it could remain flat. Either way, Microsoft's bets are covered.

Another extremely important difference between IBM and Microsoft is in marketing. IBM has long been criticized for poor marketing in the personal computer market; as far as I can tell the so-called "new IBM" has not improved a whit. IBM's OS/2 advertisements say "Operate at a higher level," an intellectual approach bound to turn off the mass market. What's the benefit of "operating at a higher level?" How does it compare with what I'm doing now? Without forthright, explicit answers to those questions, why are users going to bother with OS/2 at all? In another marketing snafu the company has scored a few kudos for OS/2 in the computer press, but has failed to capitalize on them.

Meanwhile, during the first two quarters of 1994, there have been approximately a half dozen magazine cover stories on Chicago—still closer to vapor than real product. In addition, Microsoft has publicly circulated a 300-page *Reviewer's Guide* outlining features and architecture of Chicago (on CompuServe GO WINNEWS).

Figure 1 illustrates key features of Chicago's file system architecture. For example, Chicago allows long (255-character) file names without obsoleting the existing FAT file system. This means that hard disks do not have to be reformatted to upgrade to the new file system. It also means that existing operating systems can read Chicago diskettes directly.

The document is fascinating in many ways. Among other things, it lists tons and tons of nifty new features, things to excite grass-roots interest, things that make people eager to get their hands on the software and try it out. If the software lives up to the promotional statements in the document, Chicago is going to be a killer; I think it will be. I should be getting a beta copy of Chicago in the next few weeks, and I hope to report my impressions of it in my next column.

Conclusions

All of that is marketing. It serves to heighten user awareness and anticipation. Regardless of whether Microsoft is beating IBM at the technology game, it is winning the marketing game.

Both Microsoft and IBM undoubtedly do strategic planning. The difference is that Microsoft continually refines its understanding of user needs as an essential part of its strategy, and that's (still) nowhere to be found in IBM's strategy.

IBM should stick to what it does best: hardware. IBM has much to offer across the hardware spectrum: components (e.g., the Intel-compatible microprocessors it is building for both Cyrix and Nex-Gen), subassemblies (e.g., the Mwave sound/modem boards and the recently introduced, highly competitive hard-disk drives). It should also stick to systems, although they still tend to be overpriced and are lacking in value compared with Gateway's 2000 and a few other brands. PowerPC is interesting, but so far there are no Power PCs, only Power Macs. Nevertheless, PC software will still be run in emulation. This almost guarantees problems with performance and compatibility in the future.

I have long suspected that the IBM-Microsoft war (primarily due to Microsoft's dumping OS/2 development) has been exaggerated. Recent statements confirm this view. In a recent interview, Bill Gates said that "Microsoft and IBM are perfectly complementary companies with the exception of one small group IBM has that does PC system software... IBM is our best customer. It's porting a lot of its key soft-

EN Computer Admart

Rates: Ads are 2 1/4" x 2 7/8". One insertion \$995 each. Six insertions \$950 each. Twelve insertions \$925 each. Closing date same as regular rate card. Send order with remittance to Computer Admart, Electronics Now Magazine, 500-B Bi-County Blvd., Farmingdale, NY 11735. Direct telephone inquiries to Arline Fishman, area code-1-516-293-3000. FAX 1-516-293-3115. Only 100% Computer ads are accepted for this Admart.

Get Started in Lotus 1-2-3 The Easy Way



If you are getting started in Lotus 1-2-3 at any release level, you'll want these power-packed duo publications designed for first-time users and those who need refresher orientation. To get both (BP261 and BP302) send \$12.20 plus \$2.50 for shipping in the U.S. only to Electronics Technology Today Inc., P.O. Box 240, Massapequa Park, NY 11762-0240.

NEW!

From \$239.95

Data Acquisition

Low Cost, High Accuracy

5 1/2 Digits (18 bits+sign), ±200V to ±0.1uV, .006% accuracy, 15 or 55 conv/sec. eight differential input multiplexer, compensated thermocouple measurements, digital I/O to control acquisition.



Easy to Install, Easy to Use

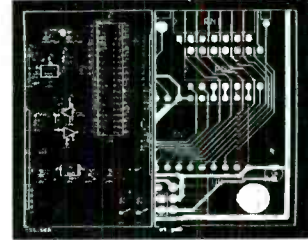
Powerful Microsoft Windows based software includes program required for measurements to be rescaled, recorded, and graph with wide range of selections. DDE link to Excel and Visual Basic by simple copy and paste.

DELTAQUEST (408) 997-8644

4960 ALAMADEN EXPWAY, #238 SAN JOSE, CA 95118

CIRCLE 194 ON FREE INFORMATION CARD

HiWIRE II Schematic and PCB Software



With support for expanded and extended memory, HiWIRE II can handle your most demanding schematic and PCB designs. The unique HiWIRE II editor allows you to display and edit schematics and PCBs simultaneously, using the same commands for each. HiWIRE II is \$995 and is guaranteed.



Wintek Corporation
1801 South Street
Lafayette, IN 47904

(800) 742-6809 or (317) 448-1903

CIRCLE 181 ON FREE INFORMATION CARD

ware into the Windows environment. Every month we find out more and more things we can do together" (*Playboy*, July 1994, p. 64).

News bits

As I predicted here in the June issue, Stac Electronics and Microsoft have ironed out their differences. Microsoft avoids its \$120 million fine, Stac avoids its \$13 million fine, and both share compression technology for the next five years. Microsoft now has a 15% stake in Stac, and Stac will receive a \$1 million payment once a month for the next 43 months. It's better than winning the lottery.

TCP/IP is a network protocol originally designed to link government and research computers across what is now called the Internet. TCP/IP's popularity grew slowly during the 1980's and early 1990's. Now, with intense mass-market interest in the information highway concept generally, and the Internet specifically, its popularity is zooming upward.

TCP/IP fits in the middle layers of the OSI stack, above the hardware drivers, but beneath applications like E-mail. TCP/IP competes with other protocols such as Novell's IPX/SPX, IBM's NetBIOS, and Mi-

crosoft's NetBEUI and Server Message Block (SMB) formats.

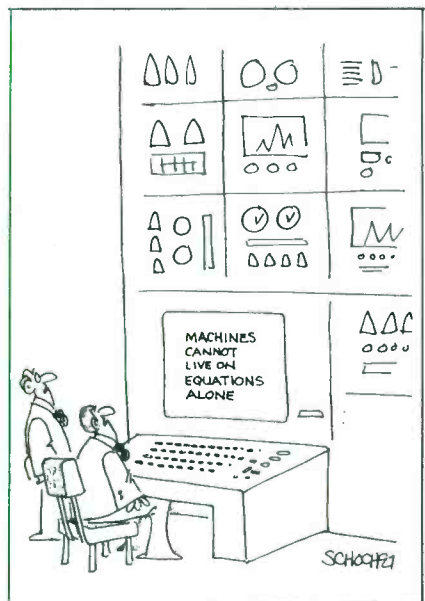
Because of TCP/IP's rising popularity, Microsoft has taken an interest in it. In fact, according to one recent article in the trade press, MS is getting very serious about it. In the past, getting TCP/IP to run on a PC was rather expensive and ranged from tricky to difficult. Microsoft has freely released a beta version of the protocol stack that runs on Windows for Workgroups 3.11; it's available on CompuServe for those interested.

Microsoft intends to include basic TCP/IP functionality in Chicago. This is bad for the small but competitive TCP/IP stack industry, but good for end users. This kind of software really belongs in the operating system, assuming it's done right.

As for TCP/IP-based applications, Microsoft includes a few basic examples for file transfer (FTP) and terminal emulation (TELNET), but the commercial vendors have little to fear here. If they're smart they'll quickly turn their efforts from network plumbing to concentrate on improved user applications.

Amiga fans will have to look elsewhere for low-cost yet hot vid-

eo-processing hardware and software. As I predicted here long ago, Commodore has liquidated. As with so many other computer industry pioneers, Commodore became enamored with its vision of the way the world should be, and lost track of the way it is. It then lost its ability to compete, and in the end did a great disservice to its extremely loyal customer base. The lesson? In the computer industry (perhaps in life generally), complacency kills. □



BUYER'S MART

FOR SALE

TUBES: "oldest", "latest". Parts and schematics. SASE for lists. **STEINMETZ**, 7519 Maplewood Ave. RE, Hammond, IN 46324.

TUBES, new, up to 90% off, **SASE, KIRBY**, 293 West Carmel Drive, Carmel, IN 46032.

CABLE test chips. Jerrold, Tocom, S.A., Zenith. Puts cable boxes into full service mode! \$29.95 to \$59.95. 1 (800) 452-7090, (310) 902-0841.

SECRET cable descramblers! Build your own descrambler for less than \$12.00 in seven easy steps! Radio Shack parts list and free descrambling methods that cost nothing to try, included. Send \$10.00 to: **INFORMATION FACTORY**, PO Box 669, Seabrook, TX 77586. For COD's (713) 922-3512 any time!

300 Experimenters Circuits — Complete in 6 practical books using diodes, relays, FET's, LED's, IC 555's, and IC CA3130's for building blocks. Only \$33.00 plus \$5.50 for shipping. USA and Canada only. US funds. **ETT, INC.**, PO Box 240, Massapequa Park, NY 11762-0240.

RESTRICTED information: surveillance and schematics, locks, cable, hacking, more. Details: **MENTOR**, Box 1549-Z, Asbury, NJ 07712.

THE Case Against the Patents. Thoroughly tested and proven alternatives that work in the real world. \$28.50. **SYNERGETICS PRESS**, Box 809-C, Thatcher, AZ 85552. (602) 428-4073. Visa/MC.

CABLE descrambling New secret manual. Build your own descramblers for cable and subscription TV. Instructions, schematics for SSAVI, gated sync, sinewave, (HBO, Cinemax, Showtime, UHF, Adult) \$12.95, \$2.00 postage. **CABLETRONICS**, Box 30502R, Bethesda, MD 20824.



CABLE TV 50dB NOTCH FILTERS for interference removal or channel censoring. Filters are user-adjustable to desired channel # or frequency. Eight Models available, each for certain channels: 2 & 3; 4 to 6; 7 to 13; 14 to 17; 18 to 22; 23 to 29; 30 to 36; 95 to 99 plus 0 & 1. Just \$30 each or 3 for \$75, includes shipping. **ONE MONTH MONEY BACK**, fast delivery. Visa, MC, check or M.O. (C.O.D. is \$5 extra) Huge discounts for higher quantities. **STAR CIRCUITS, P.O. Box 94917, Las Vegas, NV 89193.** Call 24 hours 1-800-535-7827.

CABLE TV converters: Jerrold, Oak, Scientific Atlanta, Zenith & many others. "New MTS" stereo add-on: mute & volume. Ideal for 400 and 450 owners! 1 (800) 826-7623, Amex, Visa, M/C accepted. **B&B INC.**, 3584 Kennebec, Eagan, MN 55122.

★ **1994 CATALOG** ★
OF THE WORLD'S MOST FAMOUS
CB ANTENNAS & ACCESSORIES

— **FIRESTIK ANTENNA** —
 2614 E. Adams · Phoenix, AZ 85034
 Write Or Call, 602-273-7151

CABLE TV converters. Jerrold, Zenith, Pioneer, Oak, Scientific Atlanta, and many more. 12 years experience gives us the **advantage**. Visa/MC Amex COD **ADVANTAGE ELECTRONICS, INC.**, 1 (800) 952-3916 1125 Riverwood Dr., Burnsville, MN 55337.

CABLE TV converters/descramblers. 2 year warranties on Jerrold, Zenith, Tocom, Scientific Atlanta. We service most converters. Money back guarantee. **NATIONAL CABLE SERVICES**, (219) 935-4128.

AUTOMATIC volume controllers, low cost audio processors, kits, PCB and schematic design programs. Free catalog. **C & S ELECTRONICS**, PO Box 2142, Norwalk, CT 06852-2142. Phone/fax: (203) 866-3208.

TOP quality imported, domestic kits; computers, components; surplus, discount electronics, parts; auto, home electronics; lasers. **Catalog \$2.00.** **TEKTRASONIX**, 740 E. Bay Avenue, Manahawkin, NJ 08050.

Quality Microwave TV Antennas

WIRELESS CABLE - IFTS - MMDS - Amateur TV
 Ultra High Gain 50db(+) • Tuneable 1.9 to 2.7 Ghz.

- 55-Channel Dish System \$199.95
- 36-Channel Dish System \$149.95
- 20-Channel Dish System \$124.95
- Optional Commercial Grid Antenna (not shown) Add \$50.00
- Yagi Antennas, Components, Custom Tuning Available
- Call or write (SASE) for "FREE" Catalog

PHILLIPS-TECH ELECTRONICS
 P.O. Box 8533 • Scottsdale, AZ 85252
 (602) 947-7700 (\$3.00 Credit all phone orders)
 MasterCard • Visa • American Express • COD's • Quantity Pricing

RF Vision. Convert your IBM compatible into an RF spectrum analyzer/monitor receiver tuning 2 — 1700 MHz. Includes 3-D surface plot & color spectrogram vs. time. Basic kit and software \$196.00. Send SASE to **SCIENCE WORKSHOP**, Box 310EN, Bethpage, NY 11714.

DESCRAMBLE cable with simple circuit added to Radio Shack RF modulator and using VCR as tuner. Instructions \$8.00. **TELCOM**, Box 832-E10, Brusly, LA 70719.

ACE personal security PRODUCTS, cable converters and accessories. Please have make and model number ready. Call 1 (800) 0726.

PRINTED circuit boards — etched, drilled, tin plated. Single sided \$1.25/sq. inch. **CHELCO ELECTRONICS**, 61 Water Street, Mayville, NY 14757. 1 (800) 388-8521.

NEW Product Announcement
Universal Cable TV Descrambler
Advanced Video Circuits
 Works With All Systems
Call 1-800-664-6999

TEST equipment pre-owned now at affordable prices. Signal generators from \$50.00, oscilloscopes from \$50.00. Other equipment including manuals available. Send \$2.00 U.S. for catalog refunded on first order. **J.B. ELECTRONICS**, 3446 Dempster, Skokie, IL 60076. (708) 982-1973.

CABLE test-chips as low as \$9.95, for testing cable boxes in full service mode. Jerrold: Starcom VI, VII & R2 V5, Jerrold cubes; Pioneer, clears E2 thru E5; Pioneer cubes: BA-5000 thru BA-6700; Tocom 5503/5507; Scientific Atlanta: 8500 thru 8600; Zenith: all but PZ1; remotes \$10.00. **N.E. ENGINEERING**, 1 (800) 926-4030, fax (617) 770-2305.

CONVERTER — descramblers: Examples, Zenith Ztac \$225.00, Scientific Atlanta 85XX \$195.00, 8600 \$335.00, Tocom 5503A \$210.00, Oak RTC56 \$99.00, M35B \$45.00. All Pioneer test generator \$160.00. Most makes in stock, COD ok. **MOUNT HOOD ELECTRONICS** (503) 543-7239.

INVENTIONS

FREE invention package: **DAVISON AND ASSOCIATES** offers customized development, patenting, and licensing for new products and ideas. Proven results: 1 (800) 677-6382.

BUY BONDS

CABLE TV DESCRAMBLERS

Best Prices in the U.S.A!
Guaranteed to Work!

QUANTITY DISCOUNTS



Jerrold, Scientific Atlanta
Pioneer, FTB-3, SA3

The Newest & the Latest

- TVT-3K - Jerrold Impulse & Starcom series
- SA3-DFA - Scientific Atlantas including 8536, 8536+, 8580, Drop-field
- PN-3A - Pioneer systems

Panasonic TZPC145G 99 Ch Converters
Zentek XL2100 99 Channel Converters

30 DAY MONEY BACK GUARANTEE
FAST SHIPMENTS & FREE CATALOG

1-800-772-6244

M-F: 9-6 EST
U.S. Cable TV, Inc. Dept.: KEN094
 4100 N. Powerline Rd. Bldg. F-4 Pompano Beach FL 33073
NO FLORIDA SALES!

Metex Digital Multimeters

- Handheld high accuracy
- Measures AC/DC voltage, AC/DC current, resistance, diodes, audible continuity test, transistor hFE
- Manual ranging w/overload protection
- Comes with probes, batteries, case and manual • One-year warranty



27140

Part No.	Description	Price
27078	3.5 digit multimeter	\$59.95
27086	3.5 digit multimeter with frequency & capacitance	69.95
27115	3.5 digit multimeter	39.95
27140	4.5 digit multimeter with tach and dwell	69.95
27158	4.5 digit w/frequency and capacitance/data hold switch	99.95
106534	4.5 digit w/computer interface	139.95

6 Outlet Wall Plug-In



- Electrical rating: 15 Amp, 120VAC, 60Hz
- EMI/RFI noise rejection: up to 15dB

Part No.	Product No.	1-9	10-24
99291	EP6	\$5.95	\$4.95

Jameco Solderless Breadboards



Our long-lasting breadboards feature screen printed color coordinates and are suitable for many kinds of prototyping and circuit design. Larger models feature heavy-duty aluminum backing with voltage and grounding posts.

- One-year warranty

Part No.	Terminal Strips		Contact Points	Price
	Strips	Strips		
20343	0	2	200	\$3.95
20600	1	2	400	4.95
20669	1	0	630	5.25
20722	1	2	830	6.95
20757	2	1	1,360	11.95
20773	2	4	1,660	16.95
20790	3	5	2,390	22.95
20811	4	7	3,220	30.95

7 Outlet Power Strip with 4 ft. Cord



Part No.	Product No.	1-9	10-24
98749	LR69225	\$9.95	\$8.95

Jameco Analog Display Soldering Station



- Temperature control from 200° to 878° F • Weight: 4 lbs.
- Power consumption: 60 watts
- Includes one 1/16" chisel tip
- Size: 4.25"W x 6"D x 3.38" H

Part No.	Description	Price
35086	Soldering Station	\$89.95

NEW



2.5" 6-Digit Clock Kit

- 2.5" High Red Displays • 6-Digit Display Kit includes: PC board, components, wall transformer and complete instructions (183 pieces)
- Digital clock features:** • Bright red LED displays • Size: 2.5"H • Six digits display for hours, minutes and seconds • Allows you to select either standard (12 hr) or military (24 hr) time • Ideal for use in home, office and military settings • Red lens/case not included

Part No.	Description	Price
105507	Digital clock kit	\$69.95
109241	Black case & lens	29.95
109268	Assembled dig. clock	149.95

HOT COMPUTER SPECIALS

Part #	Description	Price
32408	40MB MFM Hard drive	\$199.95
108978	PC/XT Case w/ 150 Watt Power supply	89.95
106569	2400 Baud internal modem	39.95
106577	2400 Baud external modem	49.95
104441	Serial mouse	13.95
106761	8-bit MFM HD Controller	69.95
106121	PS2/AT 106-Key Keyboard (82)/ keypad (24) set	59.95
106391	Universal serial/parallel converter	69.95
109049	16-bit IDE hard disk controller	17.95
105208	PC to TV Converter box	199.95

386 Bare-bones System

Bare-bones system includes motherboard, computer case and power supply



- 128KB cache memory
- Memory expandable to 32MB
- One-year warranty

114471	386DX 40MHz	\$329.95
--------	-------------	----------

Linear Series Devices



Part No.	Product No.	Description	Price
23051	LH0002CN	Amplifier	\$8.95
33216	TL074CN	Op Amp	.89
24811	MAX232CPE	Rec./X	2.29
23663	LM324N	Op Amp	.49
23771	LM336Z	Voltage Ref	1.09
23825	LM338K	5A Regulator	5.75
23811	LM339N	Comparator	.49
23966	LM358N	Op Amp	.49
27422	NE555V	Timer	.45
24539	LM741CN	Op Amp	.39
23157	LM1488N	Line Driver	.49
23161	LM1489N	Line Receiver	.49
23227	LM1871N	Radio Control	4.95
23253	LM1872N	Radio Control	4.95
34278	ULN2003A	Trans. Array	.69
34972	XR2206	Func. Generator	3.75
34315	ULN2803A	Trans. Array	.99
23376	LM2941T	Adj. Reg.	2.95
51262	7805T	5V Volt. Reg.	.49
51334	7812T	12V Volt. Reg.	.49
50964	75176	Diff. Bus. Trans.	1.95

Machine Tooled Low Profile Tin Plated IC Sockets

- Gold contact pins
- Tin plated tails
- Lead length: .188"
- Body height: .125"



Part No.	Pins	1-9	10-99	100+
51625	8 pin	\$.49	\$.45	\$.35
37196	14 pin	.59	.49	.39
37401	16 pin	.65	.55	.45
65584	18 pin	.75	.65	.55
38623	20 pin	.79	.69	.59
39351	24 pin	.85	.75	.65
39386	24 pin	.89	.79	.75
40328	28 pin	.99	.89	.79
41136	40 pin	1.19	1.09	.99
42059	48 pin	1.49	1.35	1.19

Carbon Film 1/4 Watt 5% Resistor Assortments



Part No.	Description	Price
10719	5 each 70 values (every other value from R10 ohm-R5.6 meg) (350 pcs.)	\$9.95
10663	100 each (27 values) R10 thru R10M (2,700 pcs.)	39.95

Jameco ABS Speedy Boxes



Will not crack or split when drilled or punched. PCB mounting slots on all four sides and the lid has a lip for precision fit (adds 0.4" H). Complete with four screws and lid. Color: black

Part No.	Size (L x W x H)	Price
18921	3.125" x 2.0" x 0.875"	\$2.25
18913	4.875" x 2.5" x 1.5"	2.49
18992	6.0" x 3.5" x 1.875"	2.95
18905	7.5" x 4.25" x 2.25"	3.49

Jameco Prototype Builder Boards:
The Jameco Prototype Boards are designed to fit into ABS Speedy Boxes. These pre-cut boards will allow the builder an immediate start on prototyping circuits. Each board has 2 or 4 mounting holes. Drilled holes: .040" dia. on .080" square pad on .10 x .10 spacing. Solder mask.



Part No.	Size (L x W)	Fits	Price
105099	2.70" x 1.60"	18921	\$3.95
105128	4.40" x 2.00"	18913	5.95
105152	5.50" x 3.10"	18992	6.95
105161	7.00" x 3.60"	18905	8.95
106551	Ckt. Brd.Hdwr. (4 sets)		1.19

Call for complete line of boxes & PC Boards!



1355 Shoreway Road
Belmont, CA 94002-4100
FAX: 1-800-237-6948 (Domestic)
FAX: 415-592-2503 (International)
TEL: 415-592-8097 (International)

Call for our new 1994 Catalog today.
No minimum order required!

© 1994 Jameco 10/94

Call 1-800-831-4242 to order today!

DC Wall Transformers:

Part No.	Voltage	Current	Plug	Price
100159	4 VDC	700mA	Male ²	\$2.95
15544	6 VDC	500mA	Male ²	5.95
101266	6 VDC	500mA	Female ²	6.25
100837	9 VDC	200mA	Male ²	4.95
100845	9 VDC	200mA	Female ²	5.25
15561	9 VDC	500mA	Male ²	5.75
100853	9 VDC	500mA	Female ²	5.75
100095	12 VDC	200mA	Female ²	5.25
17267	12 VDC	500mA	Male ²	6.25
15368	12 VDC	500mA	Female ¹	5.95
15392	12 VDC	1000mA	Male ²	7.95
100870	12 VDC	1000mA	Female ²	7.95

Call for our complete line of wall transformers.

NU-TEK ELECTRONICS Video Stabilizer **\$49⁹⁵**

FREE Catalog

CABLE TV EQUIPMENT

1-800-228-7404

NEW PICTURE IN PICTURE Stereo

PIP WORKS ON ALL TV'S. 181 CHANNEL CAPABILITY. REMOTE CONTROL. 4 SOURCE INPUTS

UPS FEDERAL EXPRESS VISA MASTERCARD COD MONEY ORDER

3250 Hatch Cedar Park TX 78613

ANTIQUE RADIO CLASSIFIED

Free Sample! Antique Radio's Largest Circulation Monthly. Articles, Ads & Classifieds.

6-Month Trial: \$16.95. 1-Yr: \$31.95 (\$47.95-1st Class). A.R.C., P.O. Box 802-L13, Carlisle, MA 01741

HUGE profits. "Intruder ID". Home/business professional alarm system. Complete protection. **Also takes a picture of intruder.** Your cost \$148.00 complete — nothing else to buy — you sell \$399.00. Very easy installation. **ROSTECH**, PO Box 2789, Plattsburgh, NY 12901. (514) 522-2158.

NEW SUPER UNIVERSAL DESCRAMBLER KITS

DESCRAMBLER universal upgrade kits! Basic \$15.00 customers pleased! Super fix! Add; automatic lockup; eliminate picture streaking; polarity correction. **ROBERT SNOW**. 22049 Lansdowne, St John, Canada E2K 4T7.

WANTED

INVENTORS: We submit ideas to industry. Find out what we can do for you. 1 (800) 288-IDEA.

BEST BY MAIL

Rates: Write National, Box 5, Sarasota, FL 34230

OF INTEREST TO ALL

VISA/MASTERCARD GUARANTEED! ALSO SUPER-LOW INTEREST CARDS. (312) 918-4078.

FREE CD OR TAPE every time you buy another! Save hundreds \$\$\$! Complete details: Fine Tune Marketing, Post Office Box 7269-(RE), Sussex, NJ 07461.

MASTER PSYCHIC DURRAN brings money, love fast! Results assured. (714) 647-7277.

SPEAK A FOREIGN LANGUAGE. MAKE EASY PART-TIME MONEY. CALL: 1-310-827-1248.

SATELLITE TV

FREE catalog — Lowest prices worldwide. Satisfaction guarantee on everything sold — systems, upgrades, parts, all major brands factory fresh and warrantied. **SKYVISION**, 1012 Frontier, Fergus Falls, MN 56537. 1 (800) 334-6455. Outside US (218) 739-5231.

VIDEOCYPHER II descrambling manual. Schematics, video and audio. Explains DES, Eprom, CloneMaster, Pay-per-view (HBO, Cinemax, Showtime, Adult, etc.) \$16.95, \$2.00 postage. Schematics for Videocypher II Plus, \$20.00. Schematics for Videocypher II 032, \$15.00. Software to copy and alter Eprom codes, \$25.00. VCI Plus Eprom, binary and source code, \$30.00. **CABLETRONICS**, Box 30502R, Bethesda, MD 20824.

BUSINESS OPPORTUNITIES

EASY work! Excellent pay! Assemble products at home. Call toll free 1 (800) 467-5566 Ext. 5192.

START your own technical venture! Don Lancaster's newly updated **Incredible Secret Money Machine II** tells how. We now have autographed copies of the Guru's underground classic for \$18.50. **SYNERGETICS PRESS**, Box 809-C, Thatcher, AZ 85552. (602) 428-4073. Visa/MC.

PAY TV AND SATELLITE DESCRAMBLING

all new info **VOLUME 6** all new info

* Volume 6—our best yet—details all known fixes for all cable, wireless and satellite systems. Many do-it-yourself. Schematics included. Only \$15.95

* Pay TV Volumes 1-5 (all different) * Hacker Video (VHS)

* Wireless Cable Hacking * Build Satellite Systems (includes DBS)

* Complete Wizard (VC2+) * all these titles \$15.95 each 3/34.95 5/52.95

* Monthly Newsletter \$29.95/yr. * new catalog \$1 * All our info \$129.95

Scrambling News, 1552 Hertel Ave., #123
Buffalo, NY, 14216. Voice/Fax/BBS (716) 874-2088
COD'S ARE OK. ADD \$6

WE'VE GOT IT

• Service • Selection • Value

- The complete line of Tenma Test Equipment
- Expanding line of amateur radio products
- Complete line of technician aids and tools
- Large assortment of educational kits and reference material
- Computer accessories from diskettes to board level components
- Thousands of direct replacement consumer electronic repair parts

Call today for your **FREE** 288 page catalog packed with over 21,000 stocked items.

To order, or to request a **FREE Catalog... Call 1-800-543-4330**

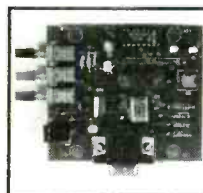
New hours: Monday thru Friday 7 a.m.—9 p.m. EST., Saturday 9 a.m.—6 p.m. EST. Get Fast Delivery From Our Distribution Facilities In Dayton, OH And Reno, NV!

MCM ELECTRONICS
650 CONGRESS PARK DR.
CENTERVILLE, OH 45459-4072
A PREMIER Company

Electronics Now, October 1994

CABLE BOX WHOLESALE, INC.

BEST BOXES—BEST PRICES
Immediate Shipping—COD's
Satisfaction Guaranteed
FREE Catalog—Call Now
800-841-7835



HOT KITS!!!
 Telephone Dialer
 Multistation Thermometer

For More Information
CALL 1-800-772-3945
 GENOA Group

PLANS AND KITS

60 **SOLDERLESS Breadboard Projects** in two easy-to-read pocket books. Complete with circuit descriptions, schematics, parts layouts, component listings, etc. Both books (BP107 & BP113) only \$11.90 plus \$3.50 for shipping. USA and Canada only. US funds. **ETT, INC.**, PO Box 240, Massapequa Park, NY 11762-0240.

SINGERS! REMOVE VOCALS!
Unlimited Backgrounds™
 From Standard Records & CD's with the Thompson Vocal Eliminator™ Call for Free Catalog & Demo Record.
 Phone: (404) 482-2485 Ext. 72
 Singer's Supply, Dept. RL-1
 7987 Hightower Trail
 Lithonia, GA 30058
 24 Hour Demo/Info Request Line (404) 482-2485 Ext. 72
 Singer's Supply - We Have Anything & Everything For Singers

SURVEILLANCE Transmitter kits, 65 to 305 MHz. **Quick & Easy** Partially assembled units. Five minutes completion. 110-volt duplex receptacle, room battery types, and telephone. Counter-surveillance. Catalog: \$2.00. **SHEFFIELD ELECTRONICS**, PO Box 377940-C, Chicago, IL 60637-7940.

THE only catalog needed! Kits, plans, surveillance, test, radios, more! Part locating! Best prices! Send \$1.50 (refundable). **NEUTRONICS**, 4 Croydon Ct., Englishtown, NJ 07726.

ALL-in-one catalog. AM/FM/ham/spy, transmitters/amplifiers, voice disguisers, descramblers, audio/TV/science projects. Start your own licensed/unlicensed radio station, books/plans/kits for import and export. 60 mouth-watering pages for \$1.00. **PAN-COM INTERNATIONAL**, PO Box 130-F10, Paradise, CA 95967.

WHY build what others design when you could learn to design it yourself? **8051 Microcontroller Based Computer Design**: Learn how to design and build your own 8051 based microcontroller system. Easy to follow labs guide you through designing, building and utilizing your 8051 board. **Programming 8051 Microcontroller based Computers**: Learn how to program an 8051 using assembly language. Complete course and labs teach everything from microcontroller initialization to advanced peripheral management. Includes free disk with simulator. 1 course \$19.90 + \$3.50 S/H. Both courses \$29.90 + \$3.50 S/H. **EDUCATIONAL LABORATORIES**, PO Box 1326, Folsom, CA 95763-1326.

Learn VCR repair!

Home study. Learn high-profit repairs without investing in high-tech instruments. **FREE BOOKLET: 800-223-4542.**

Name _____ Age _____
 Address _____
 City _____ State _____ Zip _____
 The School of VCR Repair, Dept. VRL342
 6065 Roswell Road, Atlanta, Georgia 30328



"NEW & IMPROVED"
Cable TV
Universal Descramble Kit
\$69.00
 Works with all systems
Call Toll Free 1-800-886-8699



RECEIVING TUBES
OVER 3000 TYPES IN STOCK!
 Also hard-to-find transformers, capacitors and parts for tube equipment.
 Send \$2.00 for our 32 page catalog.

ANTIQUE ELECTRONIC SUPPLY
 6221 S. Maple Ave. • Tempe, AZ 85283 • 602-820-5411

INVENTORS

INVENTORS! Can you patent and profit from your idea? Call **AMERICAN INVENTORS CORP.** for free information. Serving inventors since 1975. 1 (800) 338-5656.

EDUCATION & INSTRUCTION

F.C.C. Commercial General Radiotelephone license. Electronics home study. Fast, inexpensive! "Free" details. **COMMAND**, D-176, Box 2824, San Francisco, CA 94126.

ELECTRONIC engineering. 8 volumes complete. \$109.95. No prior knowledge required. Free brochure. **BANNER TECHNICAL BOOKS**, 1203 Grant Avenue, Rockford, IL 61103.

ELECTRICITY/Electronics training series used by US military. 24 volumes, other courses available. Free info: **FEDERAL TECHNICAL PUBLISHERS**, Box 1218 E., Glen Lake, MN 55345.

Be a computer repair expert!

Professional-level home study. Learn PC repairs, troubleshooting, upgrading, servicing, installation. Open your own business; be a more valuable employee. **Free career literature.**

Send or call:
800-223-4542

Name _____ Age _____
 Address _____ Phone (____) _____
 City _____ State _____ Zip _____

The School of PC Repair
 PCDI, 6065 Roswell Road
 Dept. J1L342, Atlanta, Georgia 30328



Parts Express is pleased to announce that we are now stocking the complete line of fine multimeters from Tripplett Corporation. Tripplett has been producing high quality test and measurement equipment since 1904. For more information and to get a copy of our FREE '88 page catalog call our toll free number.

FREE CATALOG

1-800-338-0531
 Phone: (513) 222-0173
 FAX: (513) 222-4644
 Parts Express Int'l Inc.
 340 East First St.
 Dayton, OH 45402-1257

CIRCLE 56 ON FREE INFORMATION CARD

DO-IT-YOURSELF ELECTRONIC KITS

FREE CATALOG AVAILABLE
 Call 213/886-8986 Fax 213/888-6868
Mark V Electronics, Inc.
 8019 E. Slauson Ave., Montebello, CA 90640

▲ Beginner ▲ Intermediate ▲ Advanced!

REGULATED DC POWER SUPPLY TR-503▲▲

It is short circuit proof and has overvoltage protection. Output voltage is variable over a range of 0-50 volts. Current limit trip is adjustable up to max of 3A. May use Mark V # 002 transformer.
 Kit: \$ 18.75

120W MOSFET POWER MONO AMP. TA-477A▲▲

120W into 8 ohms RMS. THD: < 0.007%. Frequency Response: 8 Hz-20 KHz, +0-0.4 dB. 2.8 Hz-65 KHz, +0-3 dB. Sensitivity: 1V. Power Requirement: 55V DC @ 3A. May use Mark V Model # 003 or # 012 transformer.
 Kit: \$ 70.00

300W HIGH POWER MONO AMP. TA-3600▲▲▲

300W into 8 ohms RMS. Frequency Response: 10 Hz-20 KHz. THD: < 0.05%. Sensitivity: 1V rms at 47K. Power Requirements: 80-75V DC at 8A. May use Mark V Model # 007 or # 009 transformer.
 Kit: \$ 89.00

30W+30W PRE & MAIN STEREO AMP. TA-323A▲

30W into 8 ohms RMS per channel. THD: < 0.1% from 100 Hz-10KHz. Phono 3mV @ 47K. Tuner, Tape 130mV @ 47K. Power Requirement: 22-38V AC, 3A. May use Mark V Model # 002 transformer.
 Kit: \$ 32.50

METAL CABINETS POWER TRANSFORMERS

LG-1273 3X12X7"	26 50	#00E 28/30VX2 6A	\$30.00
LG-1684 4X18X3"	32 50	#00Z 36VX2 3A	25.00
LG-1924 4X19X11 1/2"	38 25	#00C 40VX2 6A	32.00
LG-1925 6X19X11 1/2"	42 00	#004 24VX2 6A	25.00
LG-1983 2 1/2X15X8"	35 25	#00E 28VX2 3A	19.00
		#00E 18VX2 5A	19.00
		#007 53VX2 8A	47.00
		#00E 48E/30VX2 8A	66.00
		#012 24/42VX2 6A	48.00

Minimum order \$30.00. V/e accept Visa, MasterCard, Money orders and Checks. Please call for shipping charges. Quantity discounts available.

ORDER 1-800-521-11A/RK/1-800-423-FIVE

CIRCLE 93 ON FREE INFORMATION CARD

ALL ELECTRONICS

FAST SERVICE • DISCOUNT PRICES

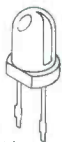
5 WAY MULTI-POINT TEST LEADS



High quality, flexible, cloth covered red and black test leads with telecom industry standard 5 way multipoint test clips on one end and spade lugs on the other end. 5 ways to connect clips: 1) U-shaped nose for qc terminals; 2) Notched jaw for gripping screws, wires or terminals; 3) Serrated teeth for threaded or wire wrap terminals; 4) Cluster of small needles for piercing small gauge wires; 5) Large piercing needle for piercing larger wires, 4 feet long. At one end of the cord is a 1500 ohm resistor that can be switched in and out of circuit. **CAT # TL-200**

\$3.50 per set

JUMBO SAVINGS JUMBO LEDS



Liton # LTL 327C - 8MM
Ideal for eye-catching indicators and displays. A recent quantity purchase of these BIG, 8mm diameter, red diffused LEDs enables us to provide some very special pricing. The leads on these devices have been trimmed to 0.325", leaving plenty of room for soldering. Normally these parts would sell for more than twice our price.

5 for \$1.00

CAT # LED-23

100 for \$15.00
1000 for \$120.00

MINIATURE D.P.D.T. PUSH/ON PUSH/OFF



Augat/Alcoswitch # MPE206N
Miniature DPDT, push/on push/off switch. Splashproof: O-ring on shoulder and inside movable shaft provides moisture seal. Rated 6 amps @ 125 Vac. RED 0.4" diameter cap. 0.25" diameter threaded bushing. 0.8" behind panel depth. Solder lug terminals. UL and CSA listed.

CAT # MPB-20

\$2.50 each

25 for \$53.75 (\$2.15 each)

MINIATURE TOGGLE



S.P.D.T. (ON-ON)

Right-angle, pc mount.
0.25" threaded bushing
Rated 5 amps @ 125 Vac.

75¢ each

CAT MTS-4RT

10 for \$7.00 • 100 for \$65.00

ORDER TOLL FREE

1-800-826-5432

CHARGE ORDERS to Visa, Mastercard or Discover

TERMS: Minimum order \$10.00. Shipping and handling for the 48 continental U.S.A. \$4.00 per order. All others including AK, HI, PR or Canada must pay full shipping. All orders delivered in CALIFORNIA must include local state sales tax. Quantities Limited. NO COD. Prices subject to change without notice.

CALL, WRITE or FAX for a FREE 64 Page CATALOG Outside the U.S.A. send \$2.00 postage.

MAIL ORDERS TO:
ALL ELECTRONICS CORPORATION
P.O. Box 567
Van Nuys, CA 91408
FAX (818)781-2653

CIRCLE 107 ON FREE INFORMATION CARD

ADVERTISING INDEX

Electronics Now does not assume any responsibility for errors that may appear in the index below.

Free Information Number	Page
- Akizuki Denshi Tsusho Ltd.	77
107 All Electronics	96
108 AMC Sales	20
- Antique Radio Classified	94
109 C&S Sales	27
129 Cable Warehouse	79
- CLAGGK Video	21
- Cleveland Institute of Elec.	19
- Command Productions	77
- Copyright Clearance Center	30
127 Deco Industries	87
194 DeltaQuest	91
- EIA	34
- Electronic Tech Today	12
121 Fluke Corporation	CV2
182 Foley-Belsaw Company	78
122 Global Specialties 1/4	23
191 Goldstar Precision	13
192 Goldstar Precision	9
195 Goldstar Precision	23
- Grantham College	14
86 Heath Company	25
- ICS Computer Training	79
- Information Unlimited	78
126 Interactive Image Technologies	11
114 Jameco	93
95 Kelvin Electronics	CV3
93 Mark V Electronics	95
87 MCM Electronics	94
193 Mini-Circuits	CV4
117 Mouser Electronics	88
- NRI Schools	13
- NRI Schools	63
56 Parts Express Inc.	95
- Star Circuits	92
- Tab Books	44
- Tab Books	21
92 Tektronix, Inc.	5
128 Tektronix, Inc.	15
184 Tektronix, Inc.	85
183 Visual Communications	88
181 Wintek Corporation	91
- World College	7

ADVERTISING SALES OFFICE

Gernsback Publications, Inc.
500-B BI-County Blvd.
Farmingdale, NY 11735
1-(516) 293-3000
Larry Steckler, EHF/CET
President

Christina Estrada
assistant to the President

For Advertising ONLY
516-293-3000
Fax 1-516-293-3115

Larry Steckler
publisher

Arline Fishman
advertising director

Denise Mullen
advertising assistant

Kelly Twist
credit manager

Subscriber Customer Service
1-800-288-0652

Order Entry for New Subscribers
1-800-999-7139
7:00 AM - 6:00 PM M-F MST

ADVERTISING SALES OFFICES

EAST/SOUTHEAST

Stanley Levitan
Eastern Advertising
1 Overlook Ave.
Great Neck, NY 11021
1-516-487-9357
Fax 1-516-487-8402

MIDWEST/Texas/Arkansas/Okla.

Ralph Bergen
Midwest Advertising
One Northfield Plaza, Suite 300
Northfield, IL 60093-1214
1-708-446-1444
Fax 1-708-559-0562

PACIFIC COAST

Blake Murphy
Pacific Advertising
Hutch Looney & Associates, Inc.
6310 San Vicente Blvd.
Suite 360
Los Angeles, CA 90048
1-213-931-3444
Fax 1-213-931-7309

Electronic Shopper
Joe Shere
National Representative
P.O. Box 169
Idyllwild, CA 92549
1-909-859-9743
Fax 1-909-659-2469

KELVIN

ELECTRONICS

10 HUB DRIVE, MELVILLE, NY 11747

(800) 645-9212
 (516) 756-1750
 (516) 756-1763/FAX

Established 1945

M/C & VISA

*20 Minimum Order

KELVIN CATALOG #3
 Stock No. 650412



150 LE - Student 200 LE - Technician 300 LE - Auto-Range 400 LE - Engineer

KELVIN 100 Basic

990087 **\$19.95**

- AC & DC VOLTAGES
- DC CURRENT
- RESISTANCE
- 3 1/2 Digit LCD
- CONTINUITY TEST
- -Buzzer
- LOW BATTERY INDICATOR
- DIODE TEST • BATTERY TEST



CAPACITANCE METER 250 LE

990126 **\$59.95**

- 0.5% ACCURACY
- RANGES: 20mF, 2000uF, 200uF, 20uF, 2uF, 200nF, 20nF, 2000pF, 200pF
- Zero Adjust
- Safety Test Leads
- Test Socket for Plug-in Components



Standard Features • AC & DC VOLTAGES • DC CURRENT
 • RESISTANCE • CONTINUITY TESTER - Buzzer • DIODE TEST
 • 10M ohm INPUT IMPEDANCE • ACCURACY +/- 0.5% RDG

TRANSISTOR BATTERY TEST
 DC CURRENT
 10 Amp

FREQ COUNTER
 up to 20MHz
CAPACITANCE
 from 1pF to 20uF

AUTO RANGE
 with 3200 counts
 AC CURRENT
 DC CURRENT
 ANALOG BAR
 10 Amp

INDUCTANCE
 Resolution 1uH
FREQ COUNTER
 up to 20MHz
CAPACITANCE
 from 1pF to 200uF
AC/DC CURRENT
TRANSISTOR
 DUTY %
 20 Amp

150 LE
 Stock # 990122
\$29.95

200 LE
 Stock # 990123
\$49.95

300 LE
 Stock # 990125
\$49.95

400 LE
 Stock # 990124
\$79.95

Designed to meet IEC-348 & UL-1244 safety specifications.

Protective Cases

For Models 100 Basic, 150LE, 200LE, 300LE

\$4.95 (#990088)

Case For Model 400LE \$9.95 (#990116)

2 Year Warranty (Parts & Labor)

The Ultimate Meter

TRUE RMS - LCR - Hz - dBm

Popular Electronics (Reviewed - May 1993)

"Not only does the Kelvin 94 boast alot of features ... the features go the extra distance."

"If we had to run into a burning building to do some emergency trouble-shooting and could carry in only one piece of equipment, the Kelvin 94 would be it!"

12 INSTRUMENTS IN ONE -

DC VOLTMETER, AC VOLTMETER, OHMMETER, AC CURRENT, DC CURRENT, DIODE TESTER, AUDIBLE CONTINUITY TESTER, dBm, FREQ COUNTER, CAPACITANCE METER, INDUCTANCE METER, LOGIC PROBE

- 0.1% ACCURACY ON DC VOLTAGES
- TRUE RMS ON AC VOLTAGES & CURRENT
- FREQUENCY COUNTER TO 20 MHz
- LARGE EASY-TO-READ 3 3/4 DIGIT LCD DISPLAY
- AUTO SLEEP & AUTO POWER OFF BUILT-IN TO SAVE BATTERY LIFE with Bypass
- SHOCK RESISTANT HEAVY DUTY CASE WITH YELLOW RUBBER HOLSTER & TILT STAND
- WATER RESISTANT SEALED CASE
- 30 DAY MONEY BACK SATISFACTION GUARANTEE

\$199.95 MODEL 94 #990111

COMES COMPLETE WITH YELLOW HOLSTER, PROBES, BATTERY, FUSE, STAND

0.1% ACCURACY on DC Voltages Water Resistant

Freq Counter to 20 MHz

Protective Cases for Model 94

Regular Padded Zippered \$9.95 (#990116)
 Deluxe Padded Zippered \$14.95 (#990115)

Meter is designed in accordance with safety requirements specified in IEC-348, UL-1244 VDE-0411.



CIRCLE 95 ON FREE INFORMATION CARD

DC-2000 MHz AMPLIFIERS

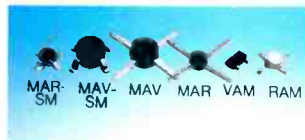


In plastic and ceramic packages, for low-cost solutions to dozens of application requirements, select Mini-Circuits' flatpack or surface-mount wideband monolithic amplifiers. For example, cascade three MAR-2 monolithic amplifiers and end up with a 25dB gain, 0.3 to 2000MHz amplifier for less than \$4.50. Design values and circuit board layout available on request.

It's just as easy to create an amplifier that meets other specific needs, whether it be low noise, high gain, or medium power. Select from Mini-Circuits' wide assortment of models (see Chart), sketch a simple interconnect layout, and the design is done. Each model is characterized with S parameter data included in our 740-page RF/IF Designers' Handbook.

All Mini-Circuits' amplifiers feature tight unit-to-unit repeatability, high reliability, a one-year guarantee, tape and reel packaging, off-the-shelf availability, with prices starting at 99 cents.

Mini-Circuits' monolithic amplifiers...for innovative do-it-yourself problem solvers.



Models above shown actual size

from **99¢** Unit price \$ (25 qty)

	PLASTIC SURFACE-MOUNT			++VAM-3		+VAM-6	++VAM-7		
add suffix SM to model no. (ex. MAR-ISM)	MAR-1	MAR-2	MAR-3	MAR-4	MAR-6	MAR-7	MAR-8		
	1.04	1.40	1.50	1.60	1.34	1.80	1.75		
	MAV-1	+MAV-2	+MAV-3	MAV-4					MAV-11
	1.15	1.45	1.55	1.65					2.15
	CERAMIC SURFACE-MOUNT			++VAM-3		+VAM-6	++VAM-7		
	RAM-1	RAM-2	RAM-3	RAM-4	RAM-6	RAM-7	RAM-8		
	4.95	4.95	4.95	4.95	4.95	4.95	4.95		
	PLASTIC FLAT-PACK			++VAM-3		+VAM-6	++VAM-7		
	MAV-1	+MAV-2	+MAV-3	+MAV-4	MAR-6	MAR-7	MAR-8		
	1.10	1.40	1.50	1.60	1.29	1.75	1.70		MAV-11
	MAR-1	MAR-2	MAR-3	MAR-4					2.10
	0.99	1.35	1.45	1.55					
Freq. MHz, DC to	1000	2000	2000	1000	2000	2000	1000	1000	1000
Gain, dB at 100MHz	18.5	12.5	12.5	8.3	20	13.5	32.5	12.7	
Output Pwr. +dBm	1.5	4.5	10.0	12.5	2.0	5.5	12.5	17.5	
NF, dB	5.5	6.5	6.0	6.5	3.0	5.0	3.3	3.6	

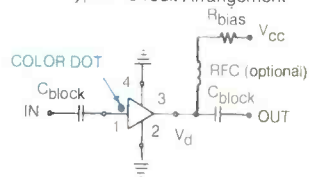
Notes: + Frequency range DC-1500MHz ++ Gain 1/2 dB less than shown

designer's kit, KH-1 available only \$59.95 includes:
40 AMPLIFIERS* 10 MAR-1, 10 MAR-3, 10 MAR-4, 10 MAR-8
150 CAPACITORS* 50 100 pf, 50 1,000 pf, 50 10,000 pf
740 page RF/IF DESIGNER'S HANDBOOK

- * MIXERS • POWER SPLITTER/COMBINERS • AMPLIFIERS • ELECTRONIC ATTENUATORS
- * I&Q/PSK MODULATORS • ATTENUATORS/TERMINATIONS • DIRECTIONAL COUPLERS
- * RF TRANSFORMERS • DIGITAL ATTENUATORS • PHASE DETECTORS • SWITCHES/DRIVERS
- * FILTERS • LIMITERS • FREQUENCY DOUBLERS

*values or models may be substituted without notice, depending on supplies.

Typical Circuit Arrangement



finding new ways...
setting higher standards

Mini-Circuits™

WE ACCEPT AMERICAN EXPRESS AND VISA

Distribution Centers: NORTH AMERICA 800-654-7949 • 417-335-5935 Fax 417-335-5945 EUROPE 44-252-835094 Fax 44-252-837010